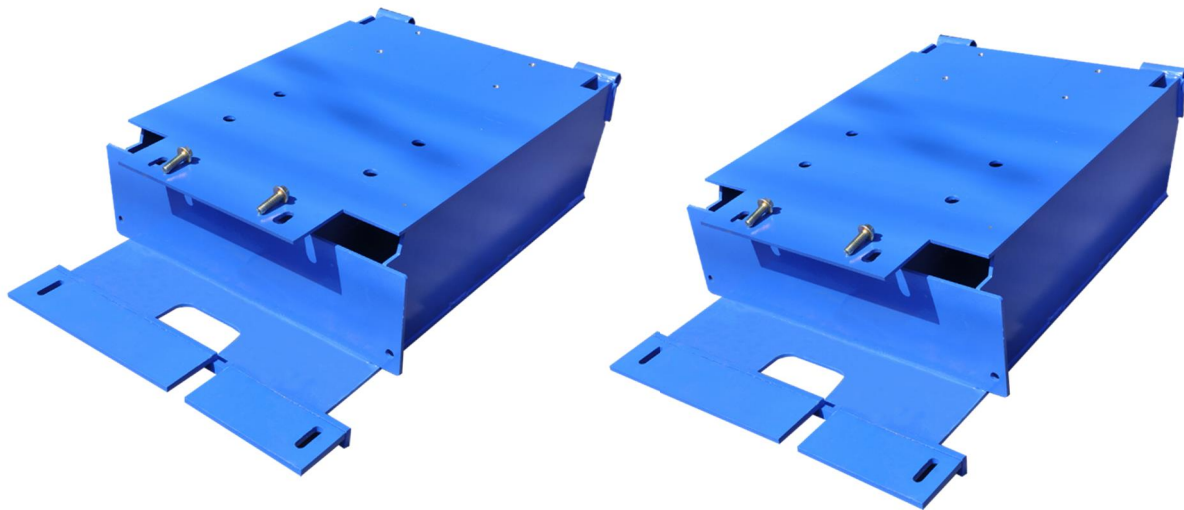




FP14KCX-24EXTKIT

24" Runway Extension Kit (FP14KC-X & FP14KAC-X)



Installation Instructions

IMPORTANT!!

READ INSTRUCTIONS THOROUGHLY BEFORE ASSEMBLING, INSTALLING, OR MAINTAINING RUNWAY EXTENSION KITS. WHEN DONE WITH INSTALLATION BE SURE TO RETURN DOCUMENTS TO PACKAGE AND GIVE ALL MATERIALS TO LIFT OWNER / OPERATOR.

FP14KCX-24EXTKIT

24" Runway Extension Kit

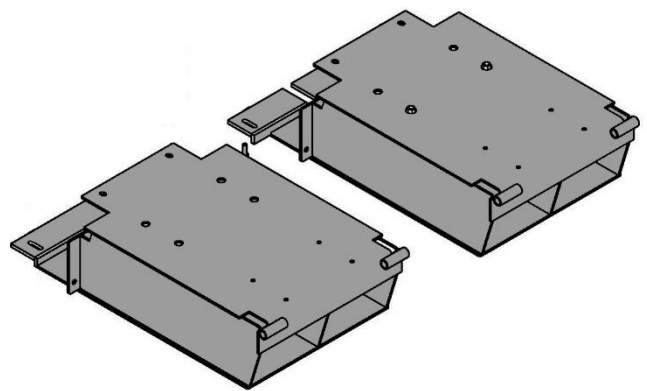
Product Description:

The iDEAL 24+Runway Extension Kit (FP14KCX-24EXTKIT) is designed to be applied to the four post, closed front FP14KC-X & FP14KAC-X lift models. The 24+Runway Extensions lengthens the runways for extended wheel base requirements. Easy bolt-on design, with all mounting hardware included. The iDEAL 24+Runway Extension Kit is an optional accessory for the FP14KC-X Service Lift and *FP14KAC-X Alignment Lift. (*Note: FP14KAC-X Alignment Lift requires 24+Alignment Spacer Kit when using the 24+Runway Extensions.)

NOTE: The 24" Extensions can be applied to both the front & rear of FP14KC-X Service Lift Runways for extended wheel base requirements. For the FP14KAC-X Alignment Lift, it is recommended to only apply to the rear (approach end) of Runways.

Required Tools:

- Ratchet
- Metric Sockets and Open Wrench Set
- Safety Glasses
- Gloves



Installation Instructions:

WARNING!! Improper installation can cause accelerated wear, resulting in catastrophic failure which may cause property damage and / or bodily injury. Manufacturer will assume no liability for loss or damage of any kind, expressed or implied, resulting from improper installation or use of this product.

- 1) Raise lift so that the runways are at a comfortable work height.
- 2) To install Runway Extensions to Rear of Lift, remove Ramps & *Ramp Extension from runways, **Fig 1**.
To install Runway Extensions to Front of Lift, remove Wheel Stops from runways, **Fig 2**.

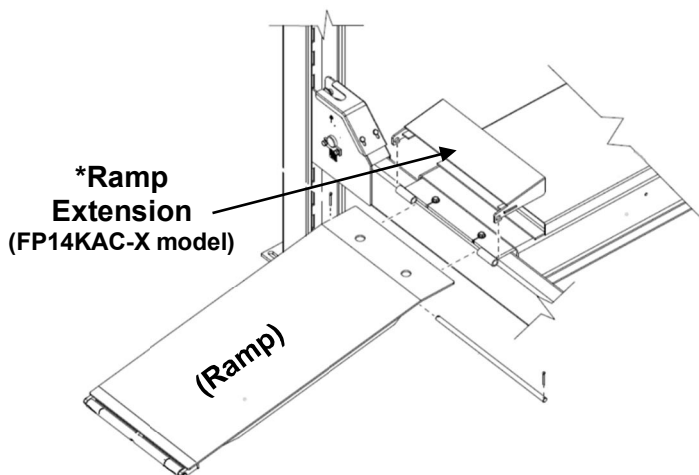


Fig. 1

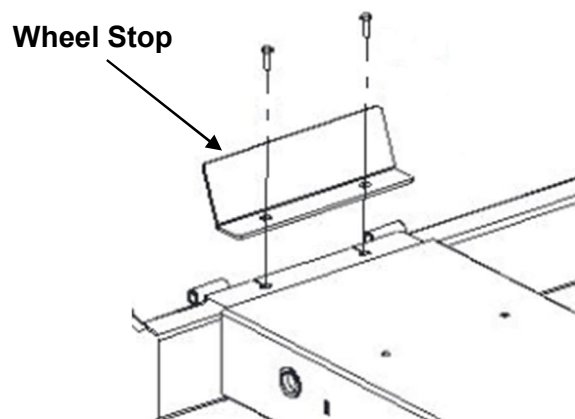


Fig. 2

CAUTION! Runway Extensions are large & heavy. Recommend using forklift and/or extra qualified installer to assist with installation of Extensions to Runways.

NOTE: Runway Extensions are 'Left & Right' specific to Runways. Ensure the 'extended' Mount Flange Bracket section is positioned to the inside of each runway, shown below in Fig. 3.

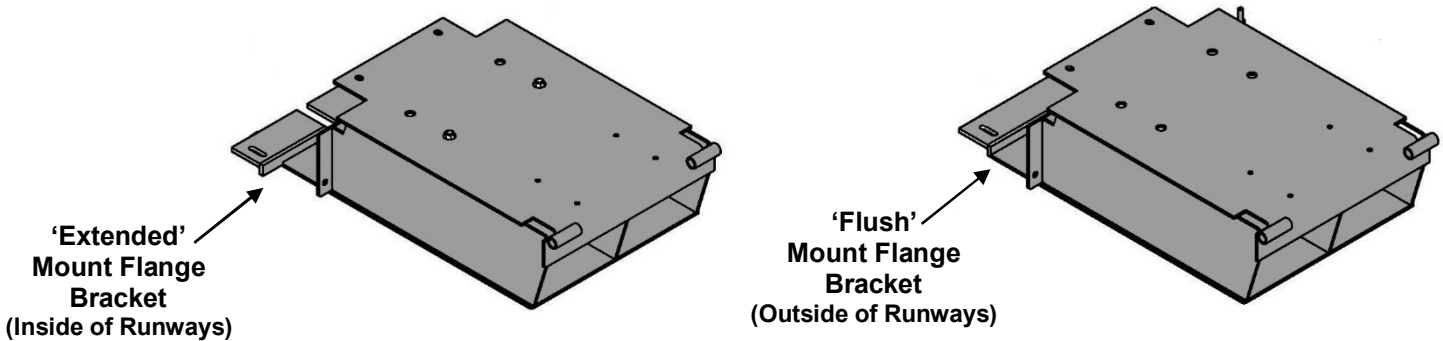


Fig. 3

- 3) Install LH & RH Runway Extensions to runways by rotating the Extension upwards, while keeping the support plate against the bottom of runway, followed by pushing the Extension towards the lift to align bolt holes to secure to runway, **Fig. 4**.
- 4) With bolt holes aligned, use M12 Flange Nuts to secure Extension's upper section to the threaded holes in runway and M10 hardware to secure Support Plate to the underside of runway, **Figs 4 & 5**.

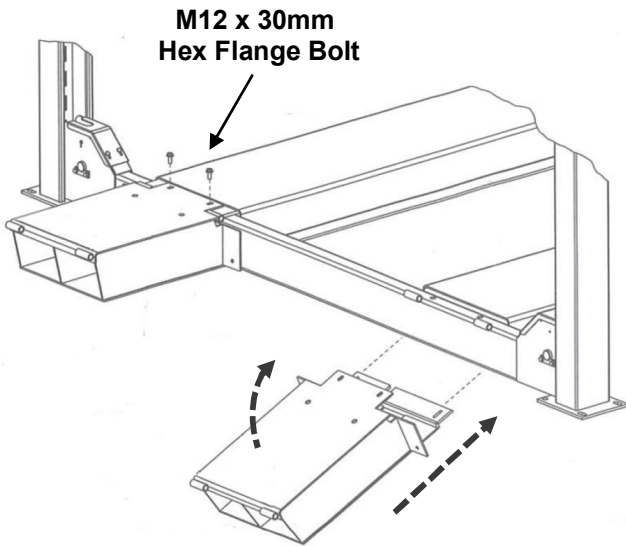


Fig. 4

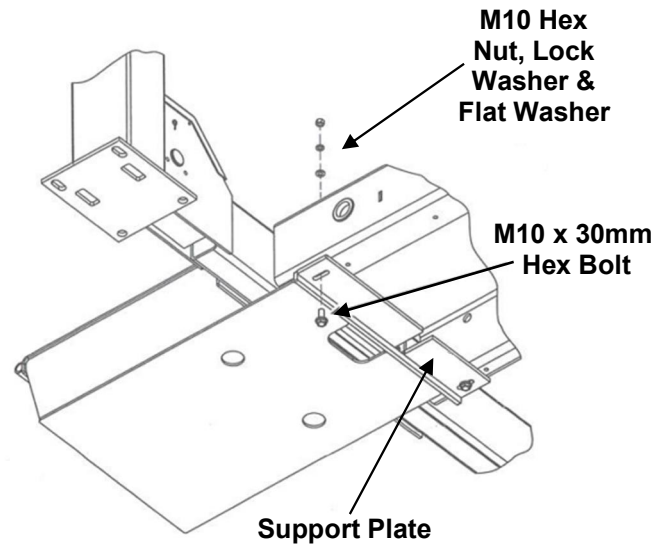


Fig. 5

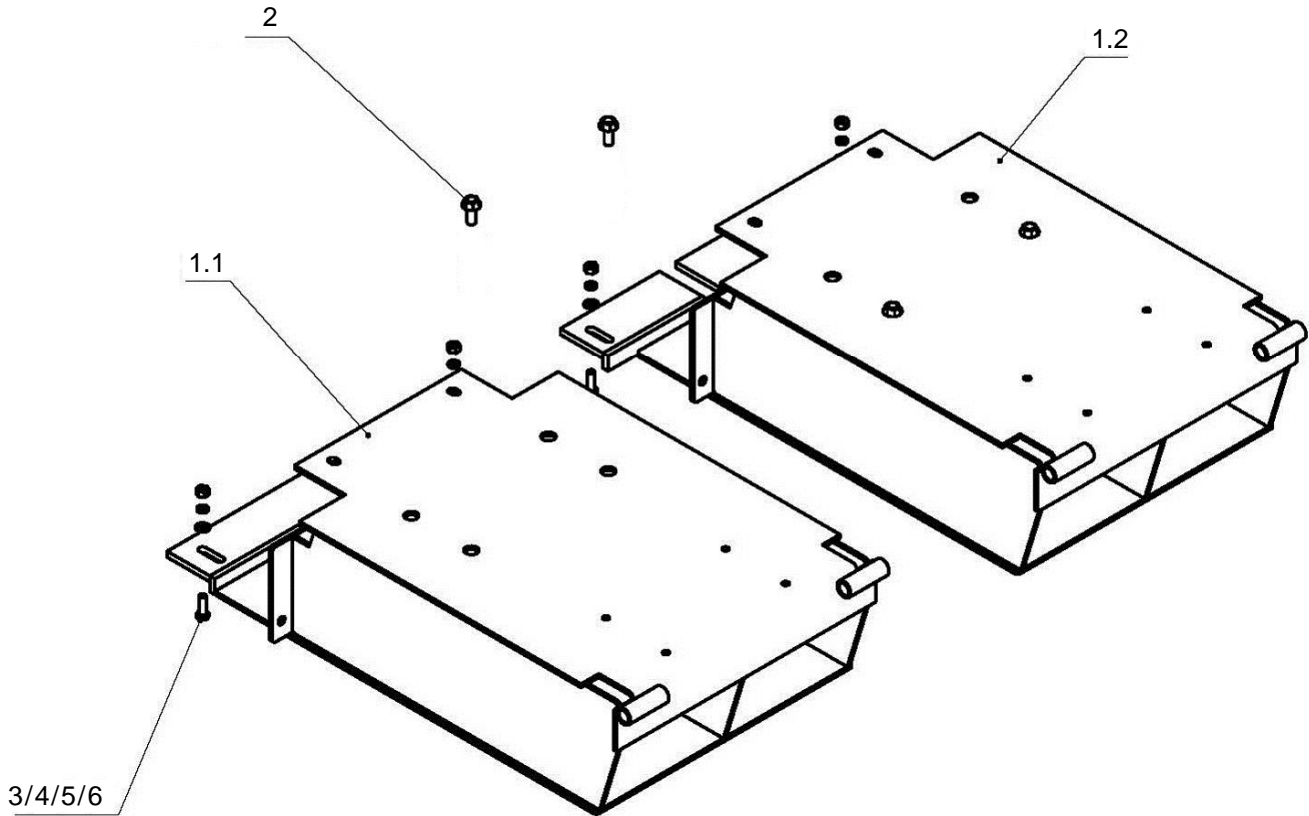
NOTE: Prior to tightening mounting hardware, ensure Runway Extensions are flush & level with runways. Adjust levelness as required, followed by fully tightening all connection hardware.

- 5) For Runway Extensions mounted to Rear of Lift, reattach Ramps & Ramp Extensions to ends of Runway Extensions.
For Runway Extensions mounted to Front of Lift, reattach Wheel Stops to ends of Runway Extensions.

NOTE: Save extra Set of 4ea M12 Hex Flange Bolts, if mounting Alignment Spacers to 24" Runway Extensions.

Exploded View & Parts List

24" Runway Extension Kit (FP14KCX-24EXTKIT)



ITEM	Tux P/N	M-REF P/N	DESCRIPTION	QTY
1.1	FP14KCX-24EXTKIT-001.1	TT-8861-700-29A-HJ	Runway Extension A	1
1.2	FP14KCX-24EXTKIT-001.2	TT-8861-700-29B-HJ	Runway Extension B	1
2	FP14KCX-24EXTKIT-002	GB/T5789-1986 M12*30	Hex Flange Bolt, M12 x 30mm	4
3	FP14KCX-24EXTKIT-003	GB5781-2000 M10*30	Hex Bolt, M10 x 30mm	4
4	FP14KCX-24EXTKIT-004	GB95-1985 D10	Flat Washer, D10	4
5	FP14KCX-24EXTKIT-005	GB93-1987 D10	Lock Washer, D10	4
6	FP14KCX-24EXTKIT-006	GB6170-2000 M10	Nut, M10	4

LIMITED WARRANTY

Structural Warranty:

The following parts and structural components carry a five-year warranty:

Columns	Arms	Uprights	Swivel Pins
Legs	Carriages	Overhead Beam	
Tracks	Cross Rails	Top Rail Beam	

Limited One-Year Warranty:

Tuxedo Distributors, LLC (iDEAL) offers a limited one-year warranty to the original purchaser of Lifts and Wheel Service equipment in the United States and Canada. Tuxedo will replace, without charge, any part found defective in materials or workmanship under normal use, for a period of one year after purchase. The purchaser is responsible for all shipping charges. This warranty does not apply to equipment that has been improperly installed or altered or that has not been operated or maintained according to specifications.

Other Limitations:

This warranty does not cover:

1. Parts needed for normal maintenance
2. Wear parts, including but not limited to cables, slider blocks, chains, rubber pads and pulleys
3. Replacement of lift and tire changer cylinders after the first 30 days. A seal kit and installation instructions will be sent for repairs thereafter.
4. On-site labor

Upon receipt, the customer must visually inspect the equipment for any potential freight damage before signing clear on the shipping receipt. Freight damage is not considered a warranty issue and therefore must be noted for any potential recovery with the shipping company.

The customer is required to notify Tuxedo of any missing parts within 72 hours. Timely notification must be received to be covered under warranty.

Tuxedo will replace any defective part under warranty at no charge as soon as such parts become available from the manufacturer. No guarantee is given as to the immediate availability of replacement parts.

Tuxedo reserves the right to make improvements and/or design changes to its lifts without any obligation to previously sold, assembled, or fabricated equipment.

There is no other express warranty on the Tuxedo lifts and this warranty is exclusive of and in lieu of all other warranties, expressed or implied, including all warranties of merchantability and fitness for a particular purpose.

To the fullest extent allowed by law, Tuxedo shall not be liable for loss of use, cost of cover, lost profits, inconvenience, lost time, commercial loss or other incidental or consequential damages.

This Limited Warranty is granted to the original purchaser only and is not transferable or assignable.

Some states do not allow exclusion or limitation of consequential damages or how long an implied warranty lasts, so the above limitations and exclusions may not apply. This warranty gives you specific legal rights and you may have other rights, which may vary from state to state.

8320 E Hwy 67, Alvarado, TX 76009
Ph. 817-558-9337 / Fax 817-558-9740