



11515 Adie Rd. Maryland Heights MO 63042

Phone (888) 473-5378  
Local Phone (314) 699-9613  
Fax: (314) 699-9617  
Website: <http://qsponline.com>

## LM-200-R2 Warranty

The LM-200-R2 has been thoroughly tested and is guaranteed for a period of 12 months from the date of delivery. Under the terms of this guarantee all components which are proven defective within the warranty period will be repaired or replaced free of charge. Our technical assistance service is the sole authority in determining whether or not defects come under the coverage of the guarantee. The guarantee excludes all responsibility on the part of the Quality Stainless Products for direct or indirect loss or damage to persons or things deriving from incorrect operation or servicing of the product. The guarantee is limited to defects in materials, workmanship and assembly, and excludes all components subject to normal wear. Furthermore, the guarantee excludes return shipping of defective part to QSP. We will however ship the replacement part by standard ground service at no charge.

**Parts Department 888-473-5378**

TYPE: Tire and Wheel lift

MODEL: LM-200-R2

<b>Serial Number:</b> <hr/>
--------------------------------

## OPERATION INSTRUCTIONS

### Removing the Tire and Wheel Assembly from a vehicle using The LM-200-R2

1. Position LM-200-R2 under tire and wheel on the vehicle and raise lifting fork by pressing the top of the control rocker switch [UP].
3. Once the rollers have made contact with the bottom of the tire, release the switch.
4. Remove lugs & pull the top of the tire toward you and disengage wheel from the vehicle.
5. With the tire on the rollers back the lift away from the vehicle and lower the lifting fork.
6. With the tire & wheel assembly resting on the ground, roll the LM-200-R2 away from assembly.

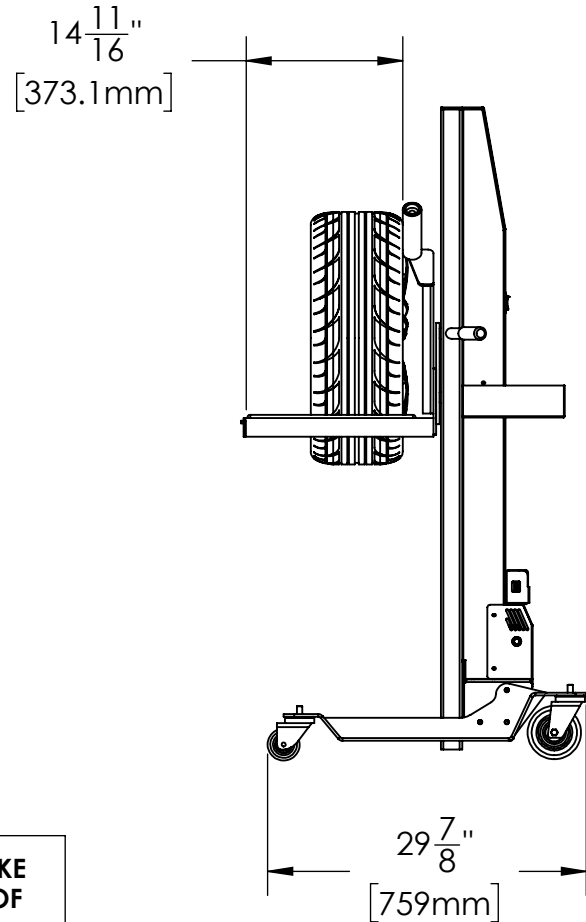
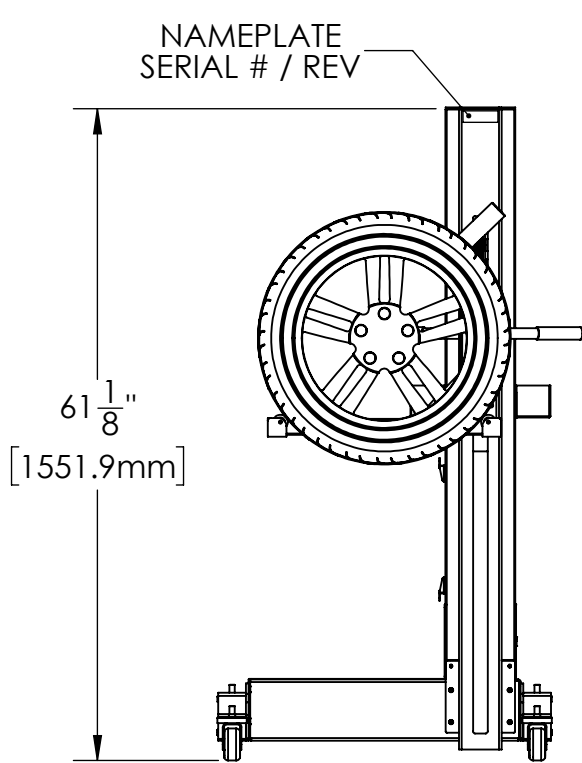
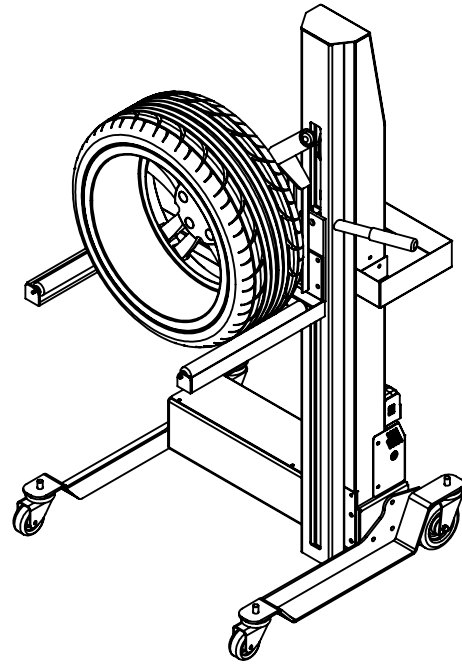
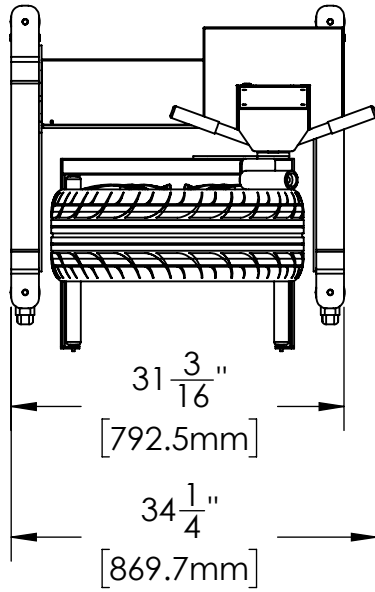
*It is not necessary to lift the tire & wheel assembly off of the LM-200-R2.*

### Installing the Tire and Wheel Assembly on a vehicle using the LM-200-R2

1. With the tire & wheel assembly on the ground, position the LM-200-R2 so that the forks are beneath the assembly.
2. Press the top side of the control rocker switch [UP] to raise the lifting fork up to the proper installation height.
3. Rotate the tire and wheel on the rollers to align lug studs to the wheel.
4. Slowly raise or lower to exact position and push the top of the tire and wheel assembly forward to engage the stud and lug nut holes.
5. Install lug nuts and lower lifting fork.
6. Move LM-200-R2 from beneath vehicle before lowering lift to avoid damaging product.

***Please retain this document for reference when calling Technical Assistance.***

# LIFTING CAPACITY: 200LBS



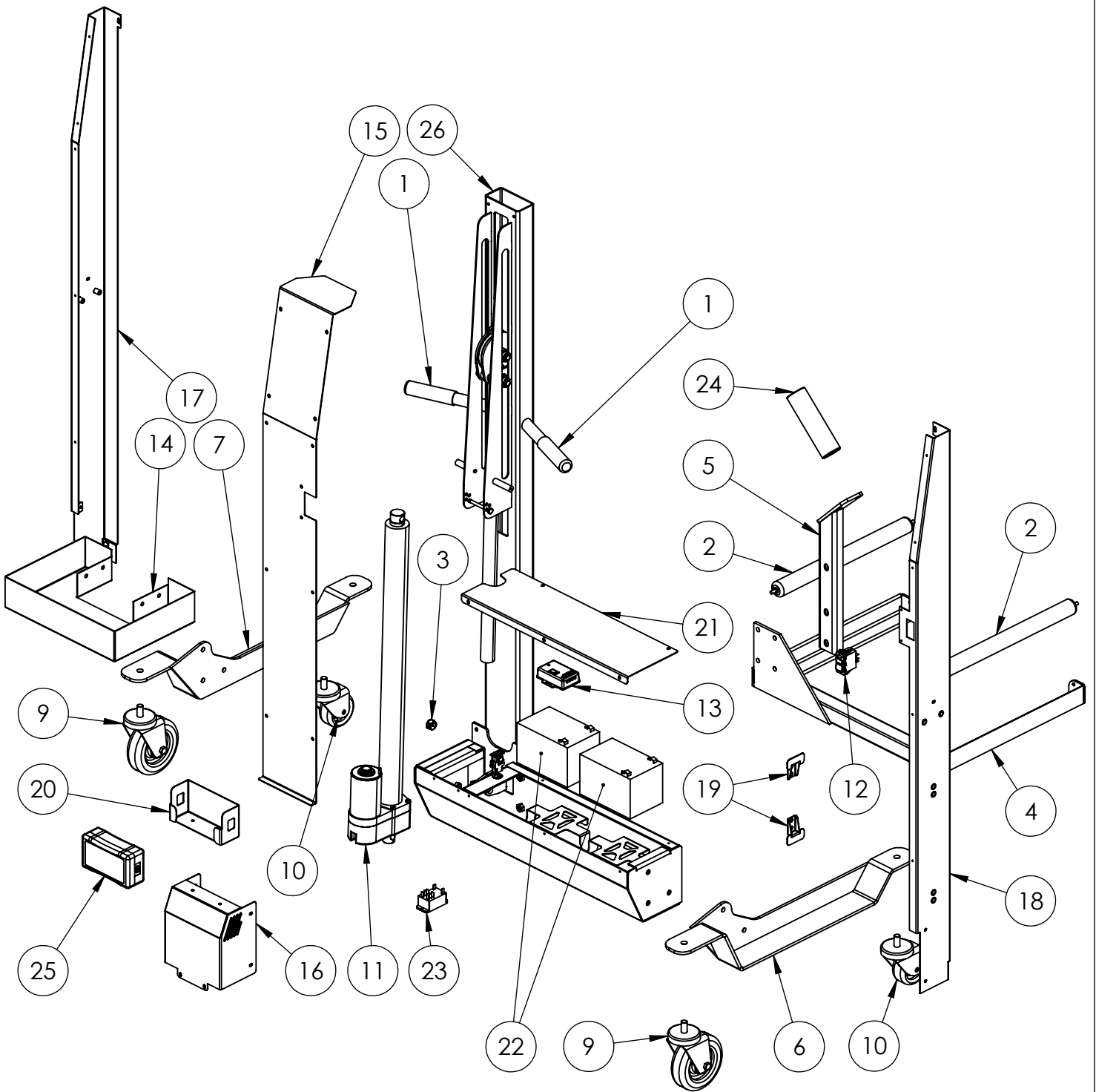
THIS UNIT IS OUTFITTED WITH A CLUTCH THAT WILL MAKE A REVERBERATING NOISE AT THE TOP AND BOTTOM OF ITS' STROKE.

ITEM NO.	PART NUMBER	DESCRIPTION	QTY.
1	8000-8	GRIP	2
2	EG16	ROLLER-TIRE	2
3	H-.500 BUSHING	1/2" PRESS IN BUSHING	1
4	LM-200-410	WHEEL FORK OFF SET	1
5	LM-200-415	ROLLER SUPPORT	1
6	LM-200-714	CASTER SUPPORT RH	1
7	LM-200-715	CASTER SUPPORT LH	1
8	LM-200-927	CABLE ASSEMBLY	1
9	LM-200-930	CASTER 5" DIA WHEEL	2
10	LM-200-931	CASTER 3" DIA WHEEL	2
11	LM-200-R2-001	LIFTING ACTUATOR	1
12	LM-200-R2-010	UP / DOWN SWITCH 24VDC 30A	1
13	LM-200-R2-020	LOW VOLTAGE DISCONNECT 24VDC 30A	1
14	LM-200-R2-165	RECHARGEABLE TOOL TRAY	1
15	LM-200-R2-168	RECHARGEABLE REAR COVER	1
16	LM-200-R2-16B	MOTOR COVER WELDMENT	1
17	LM-200-R2-16L	LEFT SIDE PANEL WELDMENT	1
18	LM-200-R2-16R	RIGHT SIDE PANEL WELDMENT	1
19	LM-200-R2-170	CORD WRAP BRACKET	2
20	LM-200-R2-174B	SUPPORT 2ND GEN BATTERY CHARGER	1
21	LM-200-R2-204	LARGE BASE LID	1
22	LM-200-R-127	BATTERY 12 VOLT	2
23	LM-200-R-145	RELAY-PANEL MOUNT 30 AMP	1
24	LM-200-R-152	ROLLER	1
25	LM-200-R-173	BATTERY CHARGER	1
26	LM-200-R2-10	COLUMN ASSEMBLY	1
27	LM-200-R2-20	RECHARGEABLE BASE ASSEMBLY	1



## LM-200-R2 INSTALLATION & ASSEMBLY INSTRUCTION

**PROPRIETARY AND CONFIDENTIAL**  
 THE INFORMATION CONTAINED IN THIS DRAWING IS THE SOLE PROPERTY OF QSP. ANY REPRODUCTION IN PART OR AS A WHOLE WITHOUT THE WRITTEN PERMISSION OF QSP IS PROHIBITED.

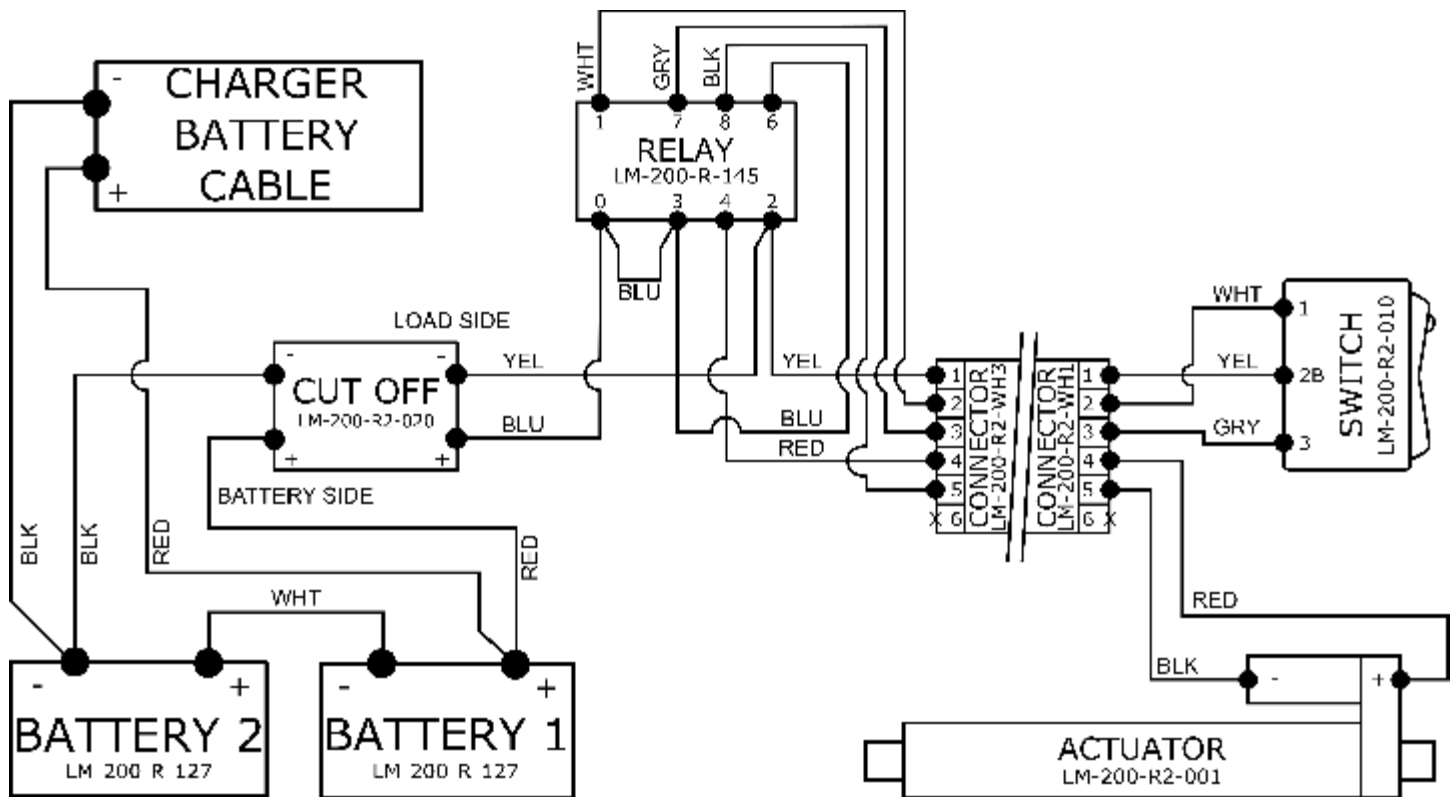


**CABLE ASSEMBLY  
LM-200-927  
NOT DEPICTED  
ON PRINT**



## LM-200-R2 INSTALLATION & ASSEMBLY INSTRUCTION

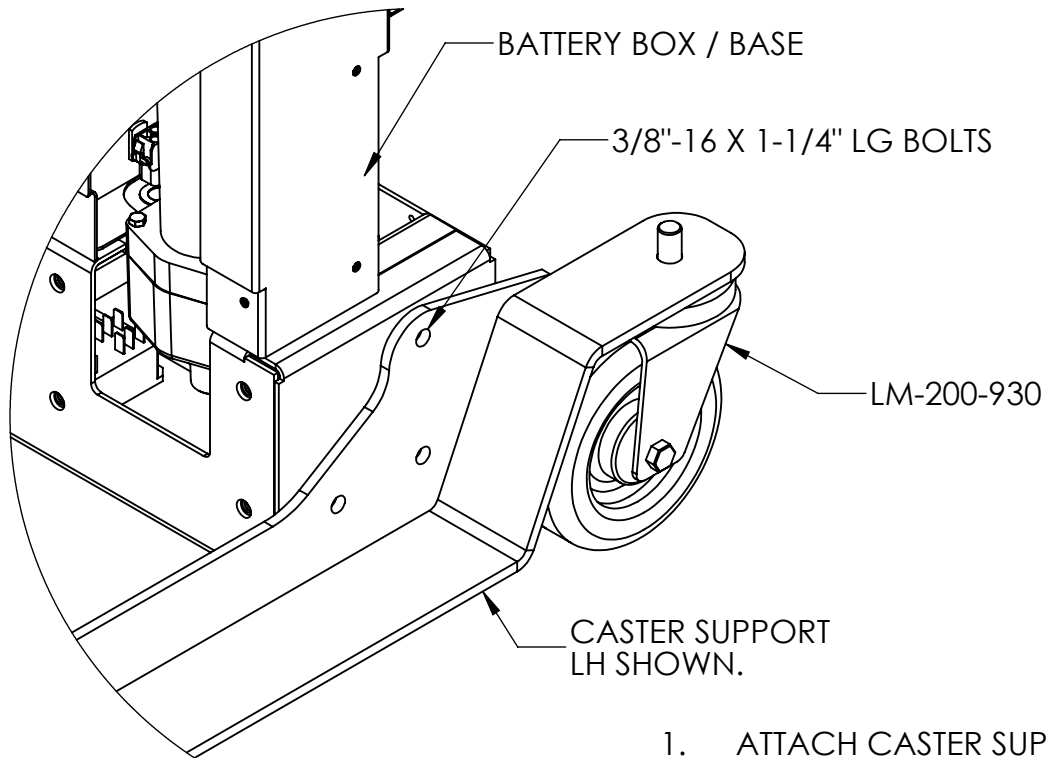
**PROPRIETARY AND CONFIDENTIAL**  
THE INFORMATION CONTAINED IN THIS DRAWING IS THE SOLE PROPERTY OF QSP. ANY REPRODUCTION IN PART OR AS A WHOLE WITHOUT THE WRITTEN PERMISSION OF QSP IS PROHIBITED.



**THIS UNIT IS EQUIPPED WITH A LOW VOLTAGE CUTOFF & MAY STOP MID-CYCLE. IF THIS HAPPENS HERE IS HOW TO COMPLETE THE CYCLE PRIOR TO CHARGING:**

1. REMOVE (5) 8-32 SCREWS FROM THE LOWER BATTERY COVER
2. LOCATE THE LOW VOLTAGE CUTOFF ON TOP OF THE CENTERMOST BATTERY
3. CHECK THAT THE LOW VOLTAGE CUTOFF HAS A RED LIGHT ON
4. IF THE SWITCH HAS A RED LIGHT, MOVE THE ROCKER TO THE "ON" POSITION
5. CHECK TO SEE THAT THE RED LIGHT HAS TURNED GREEN
6. COMPLETE CYCLE, AND LOWER FORK TO BOTTOM
7. MOVE ROCKER BACK TO "AUTO" & VALIDATE RED LIGHT HAS REAPPEARED
8. REPLACE BATTERY COVER & CHARGE

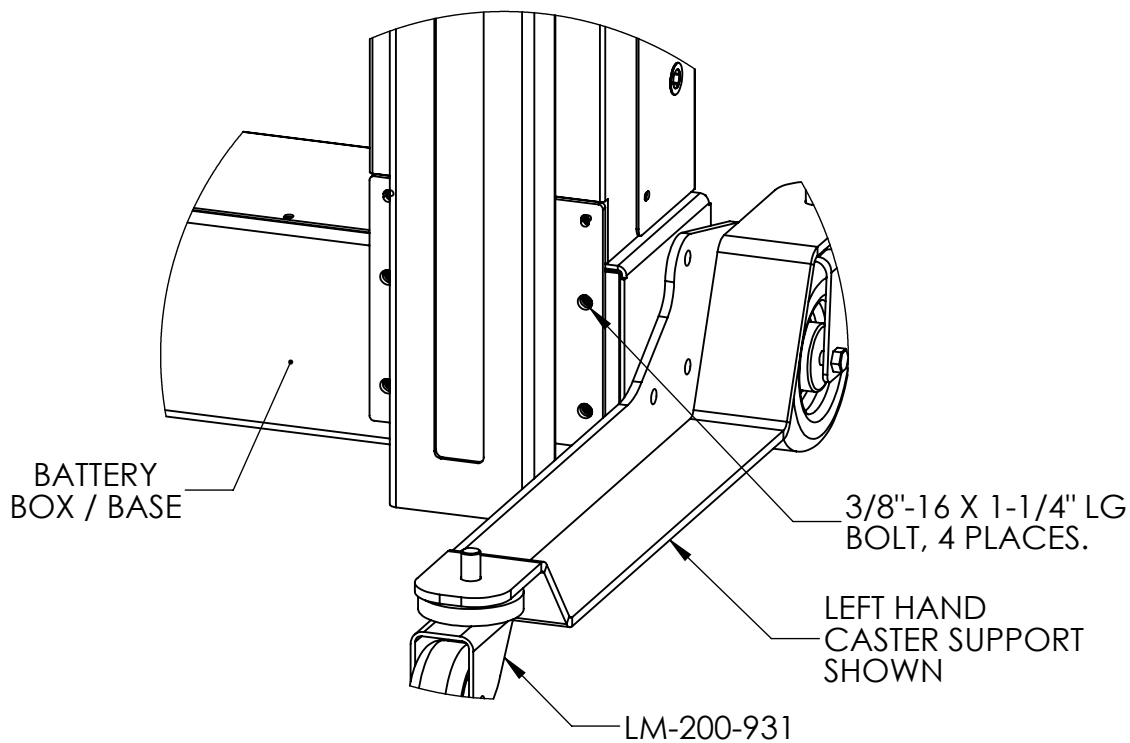
## STEP #1 CASTER & LEG INSTALLATION



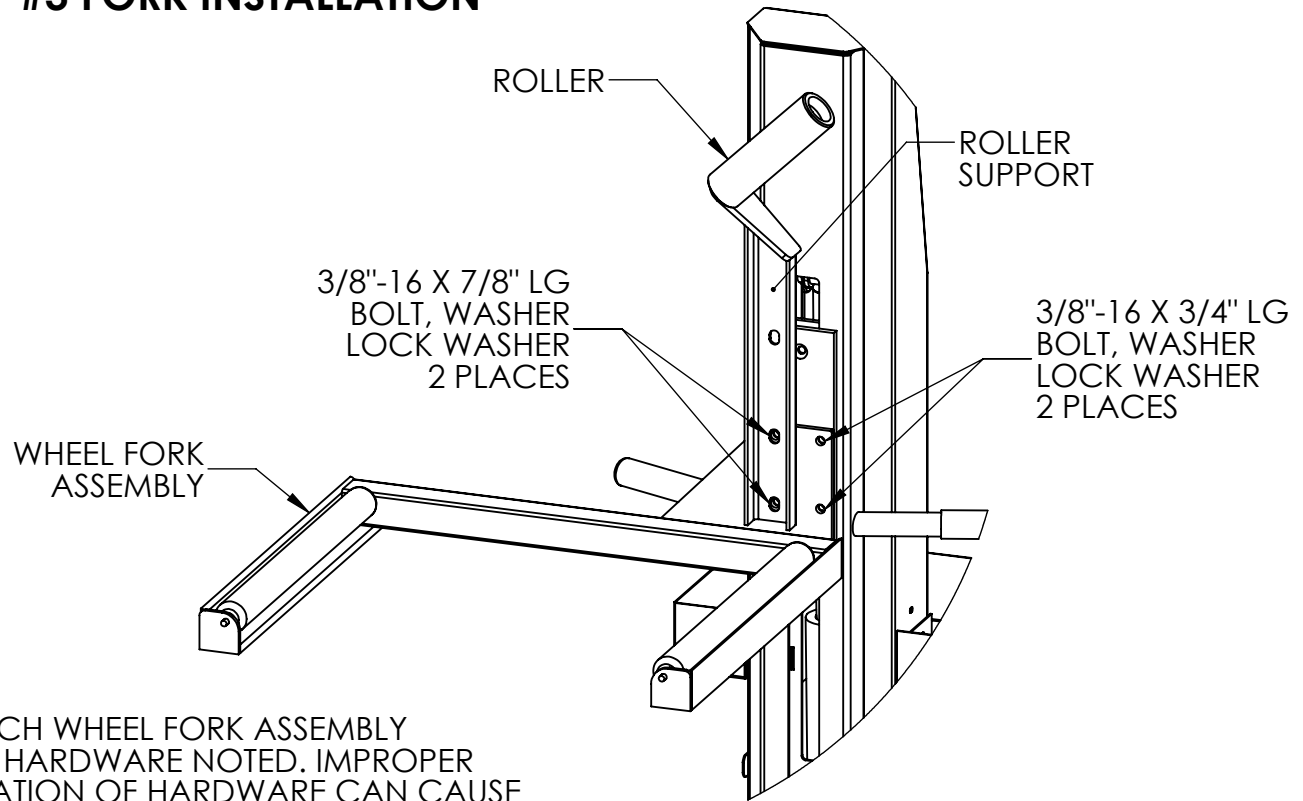
1. ATTACH CASTER SUPPORTS RH & LH TO BASE USING HARDWARE NOTED.

## STEP #2 MAST INSTALLATION

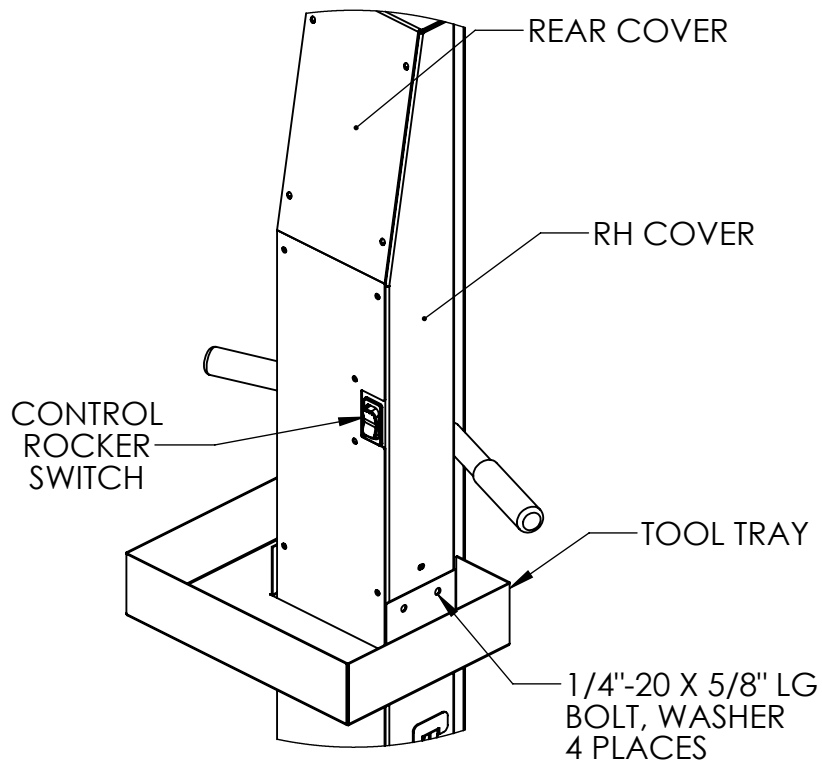
1. ATTACH THE COLUMN TO THE BATTERY BOX / BASE USING HARDWARE NOTED.



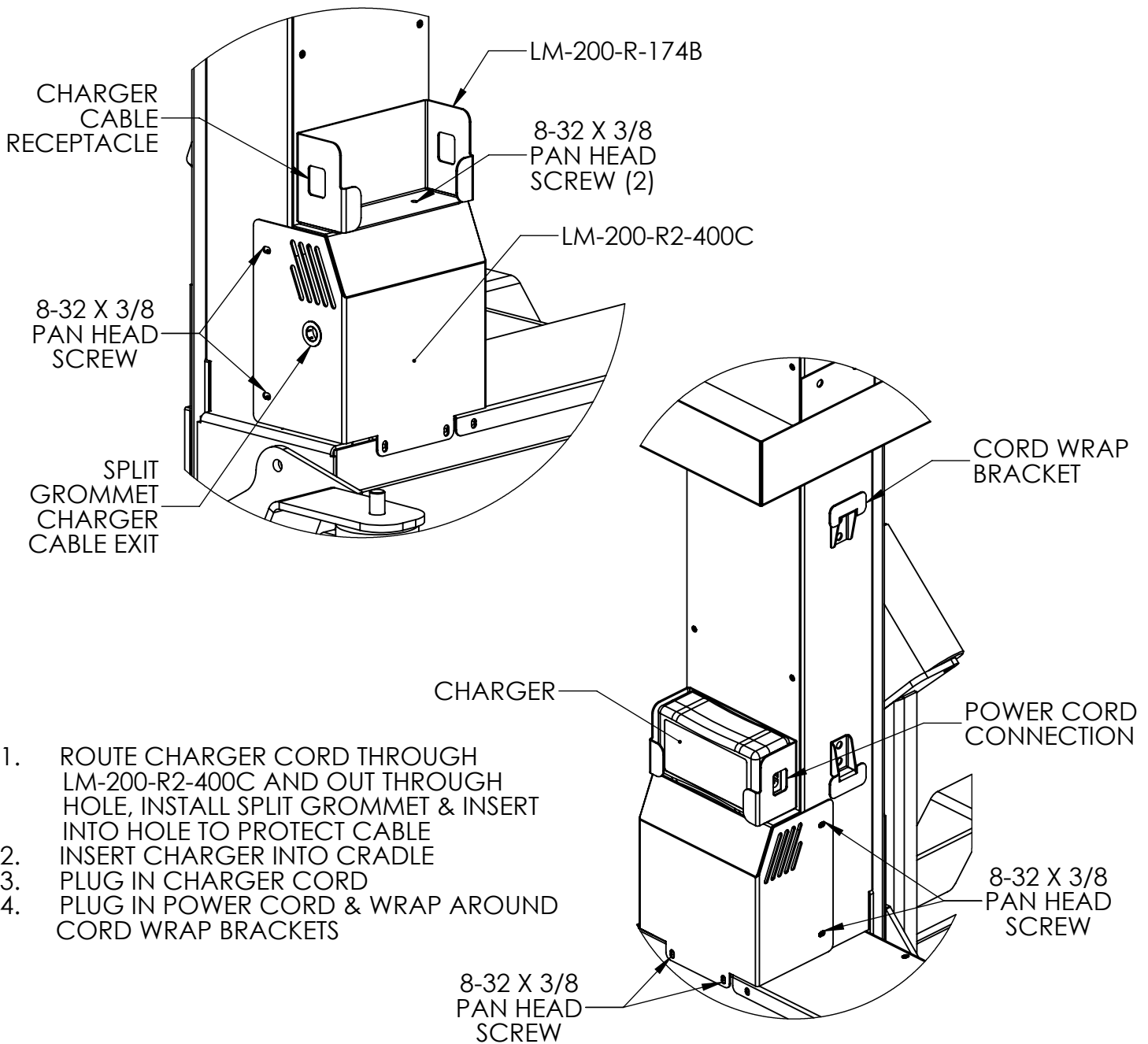
## STEP #3 FORK INSTALLATION



## STEP #4 TOOL TRAY INSTALLATION.



## STEP #5 CHARGER CONNECTION & CORD STORAGE



1. ROUTE CHARGER CORD THROUGH LM-200-R2-400C AND OUT THROUGH HOLE, INSTALL SPLIT GROMMET & INSERT INTO HOLE TO PROTECT CABLE
2. INSERT CHARGER INTO CRADLE
3. PLUG IN CHARGER CORD
4. PLUG IN POWER CORD & WRAP AROUND CORD WRAP BRACKETS

### SUGGESTED MAINTENANCE:

1. CHARGE UNIT NIGHTLY.
2. PERIODICALLY CHECK THE TIGHTNESS OF ALL FASTENERS.
3. PERIODICALLY CHECK THE CONDITION OF LIFTING CABLE. IF ANY FRAYED STRANDS ARE NOTICED REPLACE CABLE.