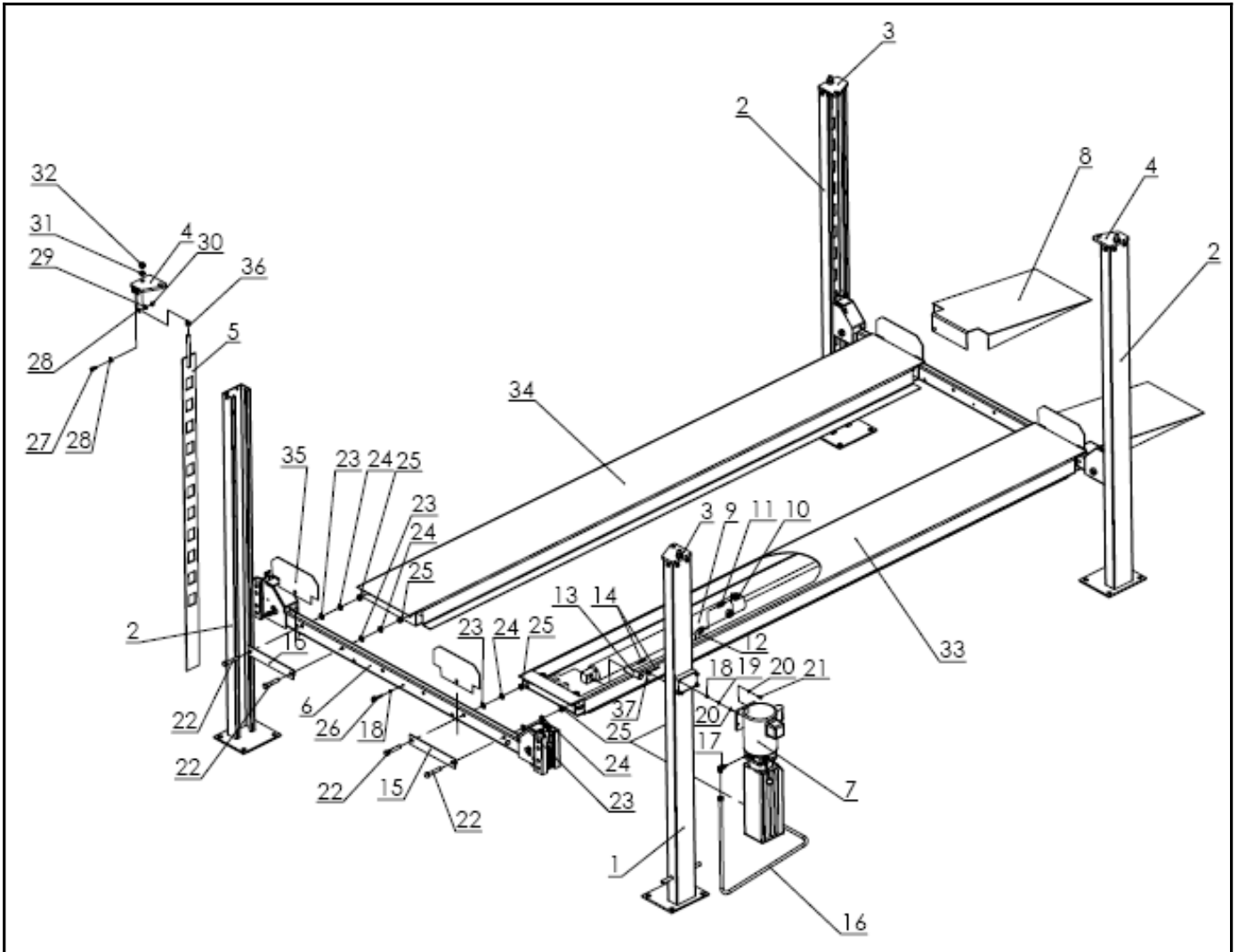
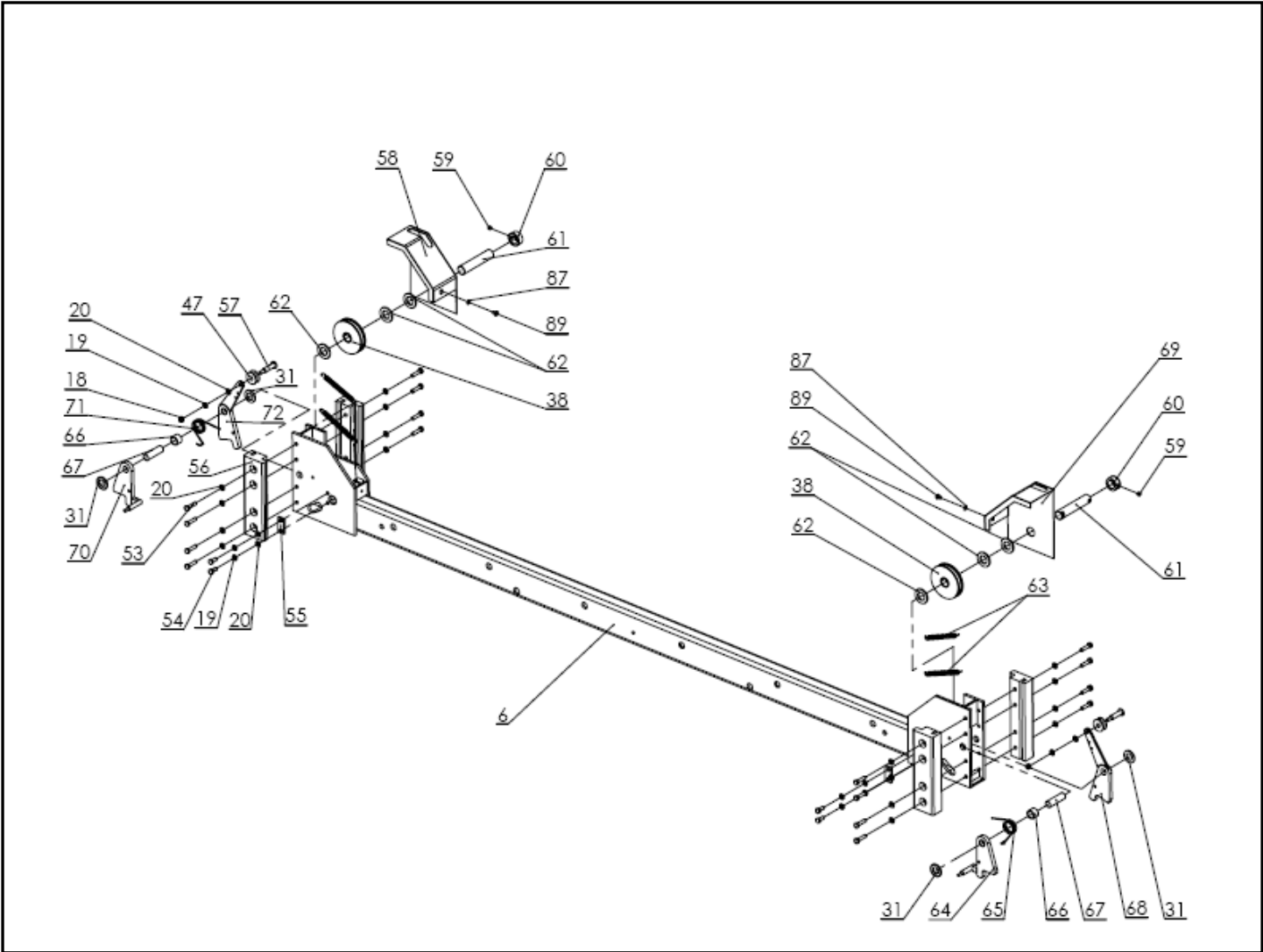


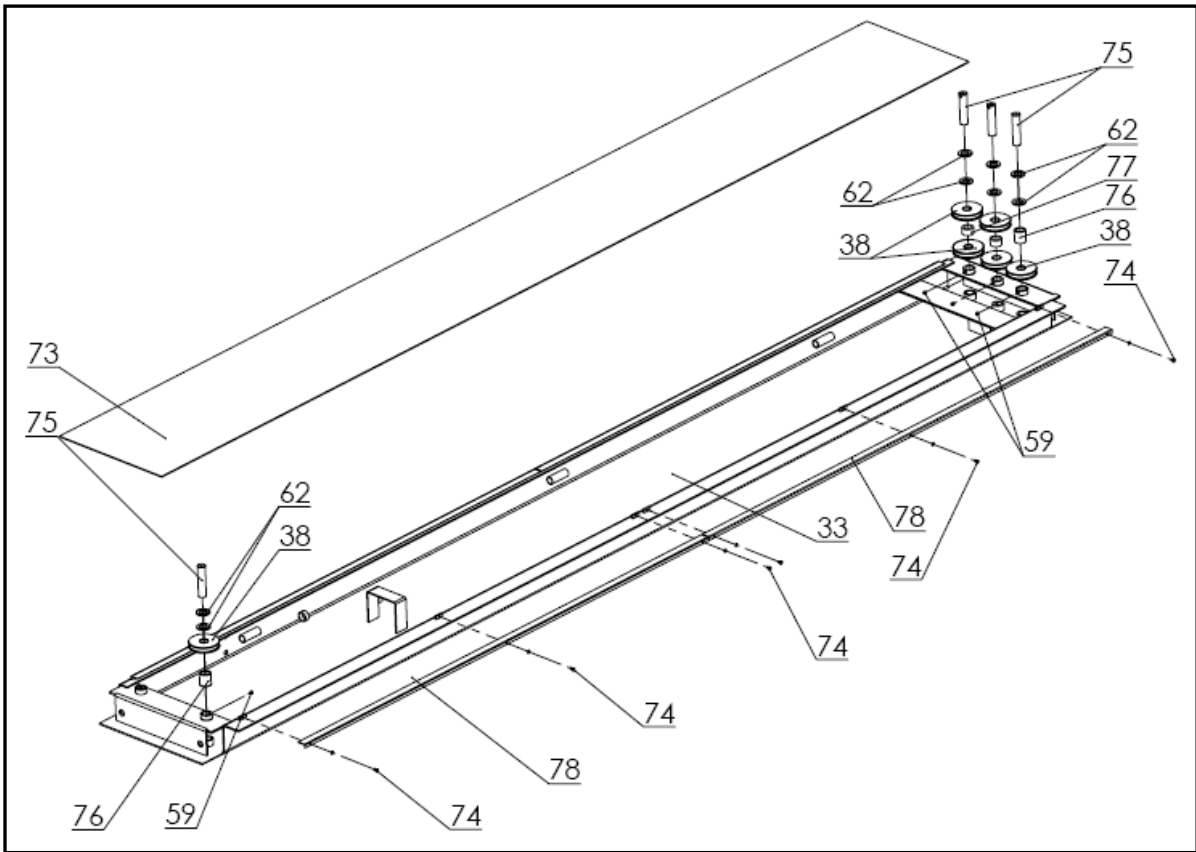
FOUR POST 8K ILLUSTRATED PARTS LIST



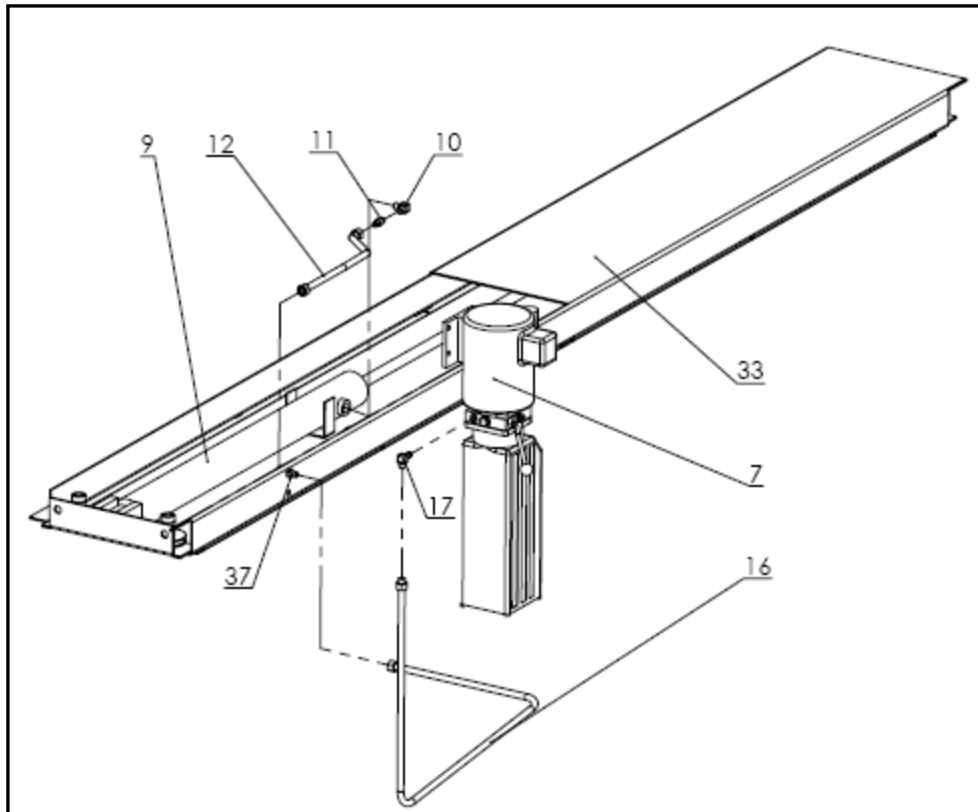
GENERAL ILLUSTRATED PARTS LIST – FIGURE #1



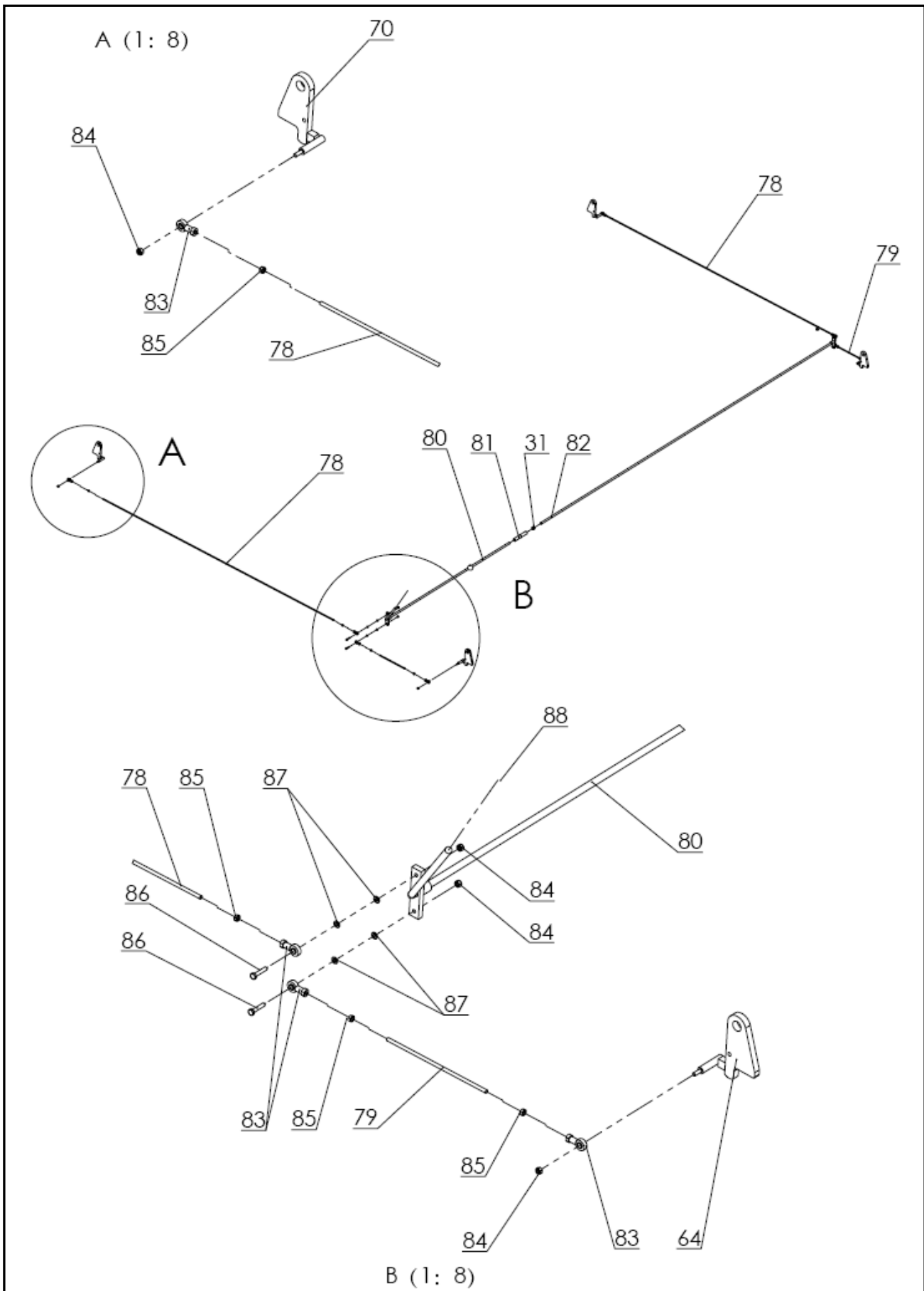
CROSSBEAM ASSEMBLY – FIGURE # 2



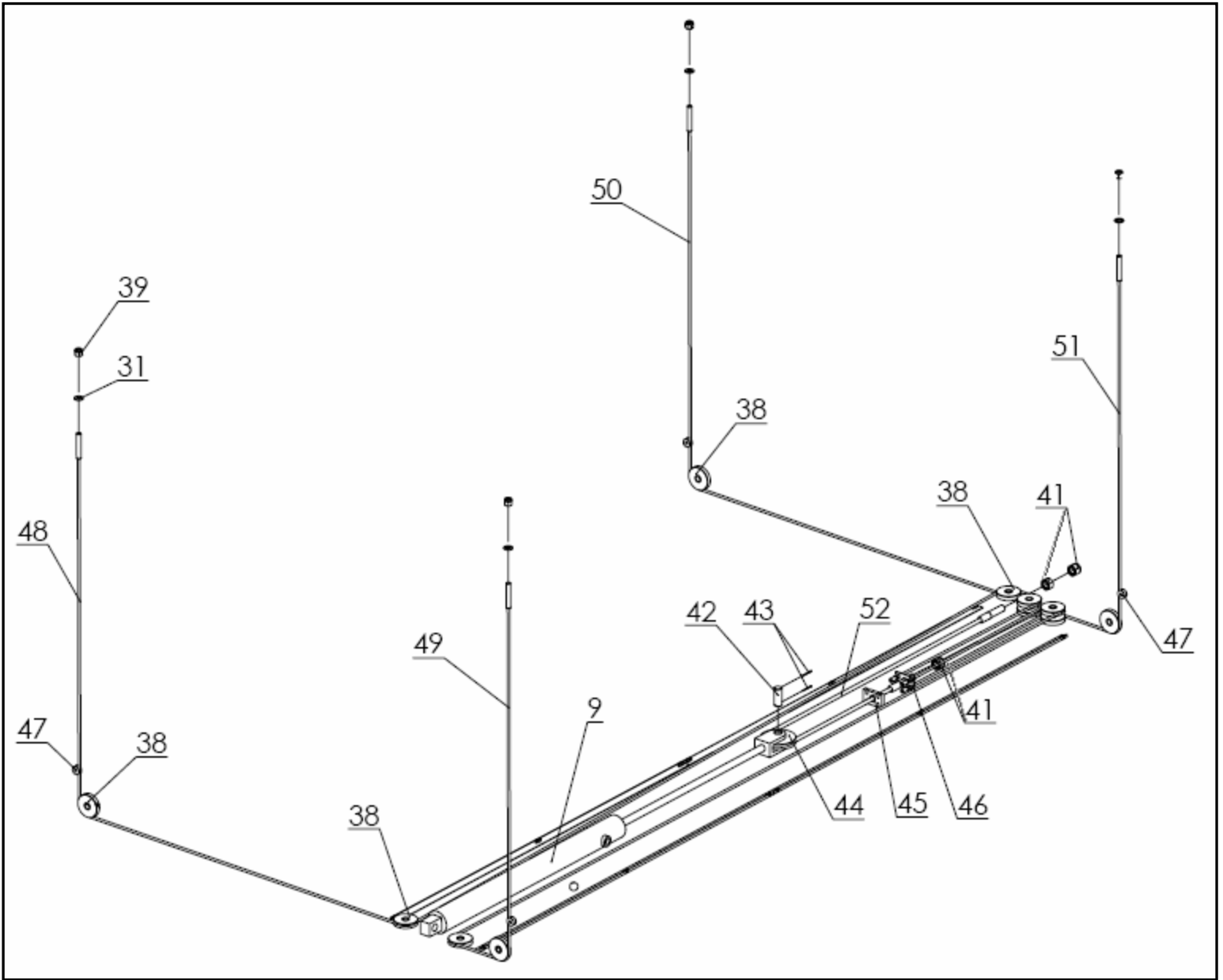
RUNWAY & COMPONENTS – FIGURE # 3



HYDRAULIC COMPONENTS – FIGURE # 4



SAFETY LATCH & LINKAGE COMPONENTS – FIGURE # 5



CYLINDER & CABLE COMPONENTS – FIGURE # 6

Four Post 8,000lb Lift - Parts List

Item #	Part Number	Description	Qty
1	DP8-1000	Column A	1
2	DP8-1100	Column B	3
3	DP8-1200	Top Cap A	2
4	DP8-1200DC	Top Cap B	2
5	DP8-1310	Lock Ladder	4
6	DP8-2100	Cross Beam	2
7	44100	Power Unit 110V	1
8	DP8-5000	Ramp	2
9	DP8-9100	Cylinder	1
10	LR-9801-11	Fitting - 90 degree	1
11	YG02-9200	Adaptor Fitting	1
12	1WB-15	Hydraulic Hose - Short	1
13	DP8-3003	Cylinder, Anchor Pin	1
14	B52-5×60	Cotter Pin - 5×60	2
15	H4D-5000	Stop Plate Bracket	4
16	1WB-05	Hydraulic Hose - Long	1
17	30400-9053YZ	Fitting - 90 degree w/ O-ring	1
18	B30-8	Hex Nut - M8	10
19	B40-8	Lock Washer - φ8	16
20	B41-8	Flat Washer - φ8	52
21	B10-8×25	Hex Bolt - M8×25	4
22	B10-18×100	Hex Bolt - M18×100	8
23	B41-18	Flat Washer - φ18	8
24	B40-18	Lock Washer - φ18	8
25	B30-18	Hex Nut - M18	8
26	H4D-7001-07	Eye Bolt - M8×50	2
27	B10-12×30	Hex Bolt - M12×30	16
28	B41-12	Flat Washer - φ12	32
29	B40-12	Lock Washer - φ12	16
30	B30-12	Hex Nut - M12	17
31	DP8-2013	Flat Washer - φ20	16
32	B30-20	Hex Nut - M20	4
33	DP8-3100	Runway, Mainside w/ cylinder	1
34	H4D-3000	Runway, Offside	1
35	H4D-5001	Wheel Stop	4
36	NH4D-3303	Hex Nut	4

37	H4D-Y003	Fitting - 90 degree	1
38	DP8-2012	Cable Sheave - 4" dia.	11
39	B33-3/4"-16	Nylon Lock Nut - 3/4"-16	4
40	No Part	No Part – Ignore this line Item	—
41	B30-27×2	Hex Nut - M27×2	4
42	DP8-3004	Shaft, Cylinder Pulley	1
43	B52-3×60	Cotter Pin - 3×60	2
44	DP8-3005	Cylinder Pulley - 5.8" dia.	1
45	DP8-3001	Cable Lock Plate A	1
46	DP8-3002	Cable Lock Plate B	1
47	DP8-2004	Cable Pulley, Plastic	4
48	DP8-3012	Cable A - 3/8" x 345.5"	1
49	DP8-3011	Cable B - 3/8" x 285"	1
50	DP8-3010	Cable C - 3/8" x 184.2"	1
51	DP8-3009	Cable D - 3/8" x 123.8"	1
52	DP8-3013	Main Lifting Cable - 5/8" x 118.1"	1
53	B10-8×35	Hex Bolt - M8×35	32
54	B10-8×20	Hex Bolt - M8×20	8
55	NH4D-2005	Stopper Bracket	4
56	DP8-2003	Rub Block	8
57	DP8-2009	Latch Shaft	4
58	DP8-2001	Latch Cover A	2
59	B22-8×10	Hex Socket Screw - M8×10	9
60	DP8-2007	Adaptor Sleeve	9
61	DP8-2006	Cable Sheave Shaft A	4
62	DP8-2014	Flat Washer - φ24C	22
63	NH4D-1011	Spring, Safety Latch	8
64	DP8-2011DC	Trigger Lock A	2
65	NH4D-1004	Torsion Spring A	2
66	DP8-2008	Spacer	4
67	DP8-2005	Lock Shaft	4
68	DP8-2010DC	Safety Lock A	2
69	DP8-2002	Latch Cover B	2
70	DP8-2011	Trigger Lock B	2
71	NH4D-1004DC	Torsion Spring B	2
72	DP8-2010	Safety Lock B	2
73	DP8-3007	Plastic Board	2
74	B23-6×8	Screw, Recessed Pan Head - M6×8	12
75	DP8-2006	Cable Sheave Shaft B	4

76	DP8-3008	Bushing A	3
77	DP8-3107	Bushing B	2
78	DP8-4401	Connecting Rod A	2
79	DP8-4301	Connecting Rod B	2
80	DP8-4200	Threaded Rod – Short (Handle Rod)	1
81	H4D-7000-03	Threaded Coupling	1
82	DP8-4100	Threaded Rod – Long (“T” Rod)	1
83	B72-6	Swivel Joint	8
84	B33-6	Nylon Lock Nut - M6	8
85	B30-6	Hex Nut - M6	8
86	B10-6×30	Hex Bolt - M6×30	4
87	B41-6	Flat Washer - φ6	12
88	B84-35	Plastic Knob - φ35×M10	1
89	B23-6×10	Screw, Recessed Pan Head - M6×10	4

Accessories Included in Four Post 8,000 lb Lift

(See Page 7)	DP8-7000	Caster Kit - Assembly	4
1	H4D-2100	Caster Kit - Frame Weldment	1
2	B80-6 x 2A	Caster Kit - Caster Wheel Assembly 6" x 2"	1
3	H4D-5006	Caster Kit - Hitch Pin	1
4	H4D-5006-03	Caster Kit - Hairpin Clip	1
5	B30-10	Hex Nut - M10	4
6	B40-10	Lock Washer - φ10	4
7	B41-10	Flat Washer - φ10	8
8	B10-10 x 35	Hex Bolt - M10x35	4
	DP7PNBKD-DT	Drip Tray	3
	H4D-6000	Jack Tray / Tool Box	1