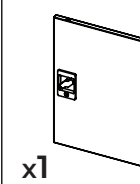
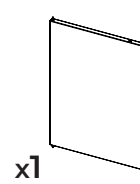
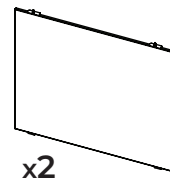
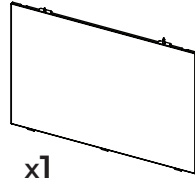


## DTWS003 Shop Desk with Cabinet

Installation Instructions

**Tools Required:**  
Philips Head Screwdriver,  
Hex Wrench (included)

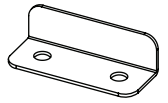
### Cabinet Parts Key



Nuts  
M5  
x4

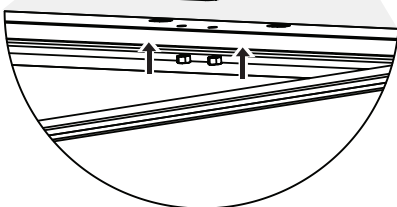
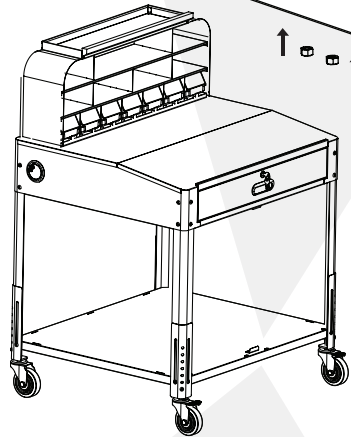
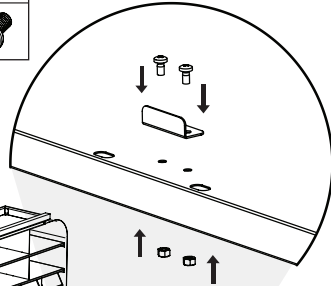
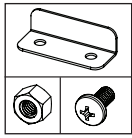


Philips  
head screws  
M5x10mm  
x4

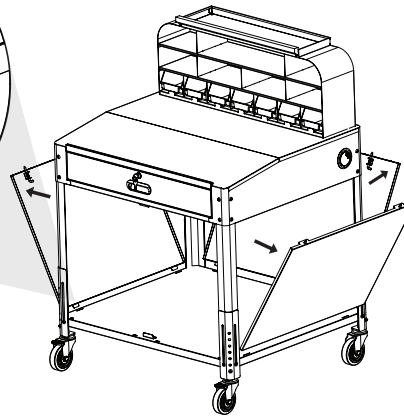
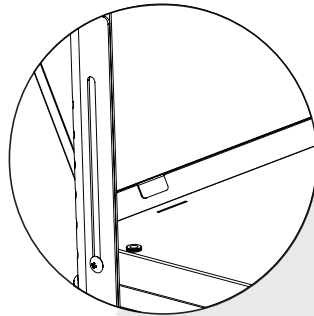


x2

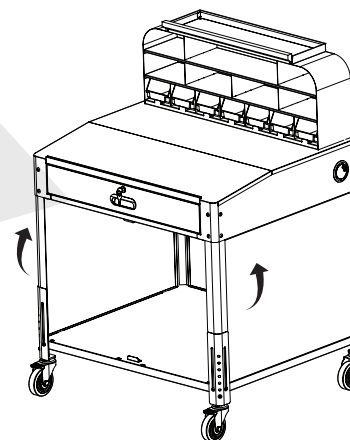
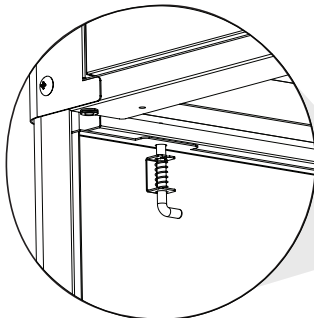
- 1** Attach the lower and upper door stops to the cart assembly using 4 Philips head screws (M5x10) and nuts (M5). Use 2 sets per door stop.



- 2** Angle the cabinet panels and insert the tabs into the slots on the lower shelf.



- 3** Tilt the panels to vertical and secure them in place using the locking pins.



- 4** Align the lower hinge pins with the holes in the shelf. Use the upper hinge pins to secure each door in place.

