

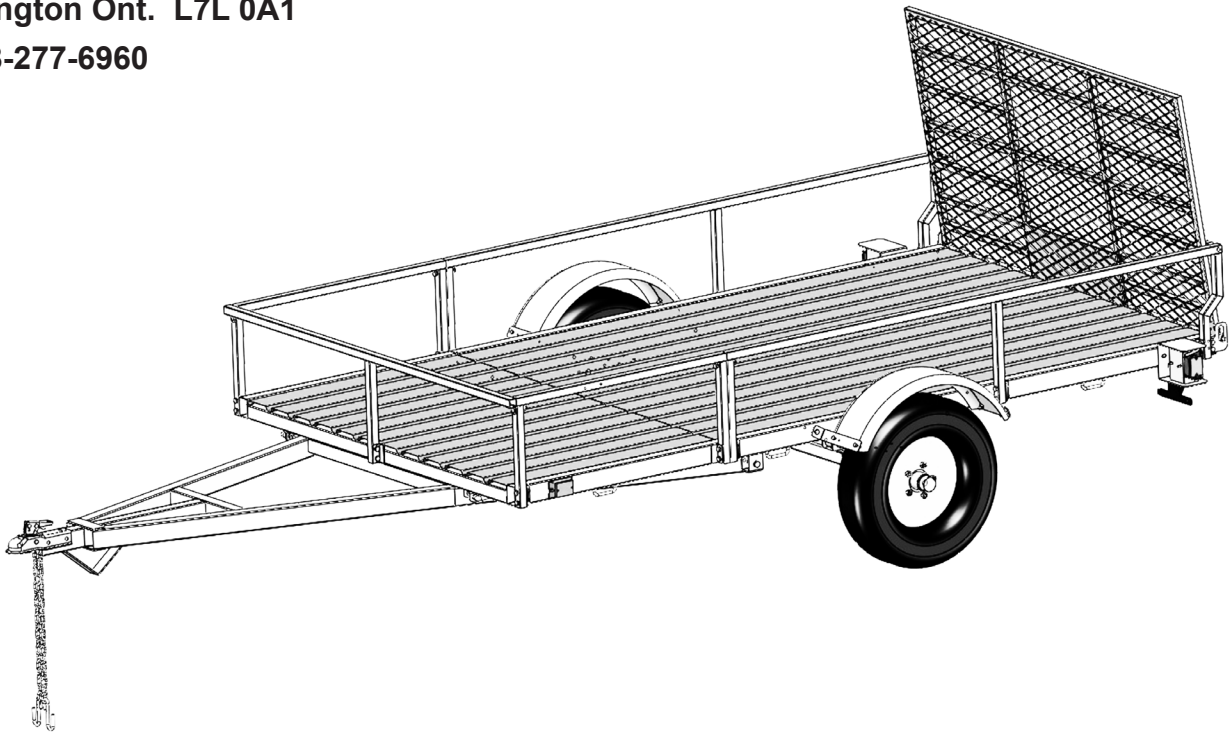


**6 ft. x 10 ft. Utility Trailer
Owner's Manual
Model MMT6X10**

**10 ft. (304.8 cm)
Utility Trailer**

DETAIL K2 INC.

1080 Clay Ave., Unit #2
Burlington Ont. L7L 0A1
1-888-277-6960



STOP!

Questions, problems, missing parts? Do not return to your retailer.

Please call our customer service department at: 1(888) 277-6960. Our customer service staff are ready to provide assistance. If a part is damaged or missing, replacement parts can be shipped from our facility. For immediate help with assembly, or for additional product information, call our North American toll-free number: 1(888) 277-6960.

Save this manual

You will need this manual for safety instructions, operating procedures, and warranty.

Put it and the original sales invoice in a safe, dry place for future reference.

ARRÊTEZ!

Vous avez des questions, des problèmes, ou des pièces manquent? Ne retournez pas chez votre détaillant.

Veuillez appeler notre service à la clientèle au: 1-888-277-6960. Notre personnel du service à la clientèle est prêt à vous fournir une assistance.

Si une pièce est endommagée ou manquante, une pièce de remplacement peut vous être expédiée rapidement de nos installations. Pour une aide immédiate à l'assemblage ou pour plus d'informations sur le produit, veuillez communiquer avec notre numéro sans frais 1-888-277-6960.

Conservez ce manuel

Ce manuel vous offre des instructions sur la sécurité, des procédures opérationnelles et votre garantie.

Gardez-le ainsi que votre facture originale dans un endroit sec et sécurisé pour référence future.

WARNING! Please read through these instructions completely **BEFORE** you begin to assemble and install your DK2 trailer. Failure to follow the instructions closely could cause serious personal injury or property damage.

Thank for very much for choosing a DK2 product! For further reference, please complete the owner's records below:

Model: _____ Purchase Date: _____

Save the receipt, warranty and these instructions. It is important that you read the entire manual to become familiar with this product before you begin using it.

This trailer is designed for certain applications only. The distributor cannot be responsible for issues arising from modification. We strongly recommend this trailer not be modified and/or used for any application other than that for which it was designed. If you have any questions relative to a particular application, **DO NOT** use the trailer until you have first contacted the distributor to determine if it can or should be performed on it.

TABLE OF CONTENTS

Important safe operating practices	3
General warnings	4
Specific operation warnings.....	5
Technical specifications	6
Bed assembly	7
Railing assembly	8
Spring assembly	9
Axle and Wheel assembly	10
Drawbar assembly	11
Pre-wiring installation	12
Flipping the trailer	12
Fender assembly	12
Attaching the coupler.....	13
Lighting kit installation	14
Ramp and Hinge assembly	15
Schematic Diagram	16
Parts list.....	17
Towing vehicle	18
Hitch, ball, coupler	18
Safety chain.....	18
Loading.....	18
Lighting.....	18
Operation.....	19
Canadian trailer licensing notice	20
U.S.A trailer licensing notice	20
Licensing	20

IMPORTANT SAFE OPERATING PRACTICES

IMPORTANT: *Read safety rules and instructions carefully before using this equipment. Read and follow instructions carefully. Save owner's manual for future reference or parts information. Be certain any future user of this carrier is aware of correct attachment and use.*

CAUTION: *Safety First — Read this manual carefully before attaching and using your trailer. We recommend that you read this manual completely so that you are fully aware of all important safety recommendations. Record your serial number.*

DANGER: *This equipment was built to be operated according to the rules for safe operation in this manual. As with any type of equipment, carelessness or error on the part of the operator can result in serious injury or property damage.*

- To use this equipment properly, you must observe the safety regulations, the assembly instructions and the operating instructions to be found in this manual.
- All persons who use and service the trailer must be informed about potential hazards and must be well acquainted with this manual.

IMPORTANT WARNING: *It is critical that your DK2 Trailer is properly secured to the vehicle.*

- *Attaching it improperly could result in a vehicular accident, causing serious bodily harm, injuries, or death to you or to others.*
- *Securing trailers and accessories to your vehicle is your legal responsibility. Check the trailer prior to use, and inspect the components for adjustment, wear, and damage periodically.*
- *You must read and understand all of the instructions and cautions before you install or use the trailer.*
- *If you do not understand all of the instructions and cautions, or if your mechanical experience precludes following them, have the trailer installed by a professional.*

WARNING: *You are responsible to ensure the trailer attaches safely and securely to the vehicle.*

- *This trailer is designed for use on passenger cars, trucks, and SUVs that have the trailer hitch and weight capacity.*
 - *Inappropriate use and fastening of the trailer to the vehicle may lead to damage to cargo, the trailer, and/or your vehicle. It may also inflict damage on other vehicles behind and elsewhere on the road with you.*
- Do not take the trailer through an automatic car wash.

GENERAL WARNINGS

WARNING: *Read and understand all instructions. Failure to follow all instructions listed below may result in electric shock, fire and/or serious injury.*

WARNING: *The warnings, cautions, and instructions discussed in this instruction manual cannot cover all possible conditions or situations that could occur. It must be understood by the operator that common sense and caution are factors that cannot be built into this product, but must be supplied by the operator.*

1. **KEEP THE WORK AREA CLEAN AND DRY.** Damp or wet work areas can result in injury.
2. **KEEP CHILDREN AWAY FROM WORK AREA.** Do not allow children to handle this product.
3. **ALWAYS WEAR ANSI-APPROVED SAFETY GLASSES AND HEAVY-DUTY WORK GLOVES** during assembly and use. Do not wear loose clothing or jewelry which can get caught in moving parts.
4. **READ YOUR OWNER'S MANUAL CAREFULLY.** Get to know your trailer and familiarize yourself with its applications and limitations.
5. **USE THE TRAILER ACCORDING TO THE GUIDELINES IN THIS MANUAL.** Do not abuse it or force it to do a job for which it was not designed.
6. **USE ONLY ORIGINAL EQUIPMENT PARTS AND ACCESSORIES.** Consult this owner's manual. The use of incorrect accessories may produce unforeseen hazards.
7. **STORE IDLE EQUIPMENT.** When not in use, tools and equipment should be stored in a dry location to inhibit rust. Always lock up tools and equipment, and keep out of reach of children.
8. **USE THE RIGHT TOOL FOR THE JOB.** Do not attempt to force small equipment to do the work of larger industrial equipment. There are certain applications for which this equipment was designed. It will do the job better and more safely at the capacity for which it was intended. Do not modify this equipment, and do not use this equipment for a purpose for which it was not intended.
9. **CHECK FOR DAMAGED PARTS.** Before using this product, carefully check that it will operate properly and perform its intended function. Check for damaged parts and any other conditions that may affect the operation of this product. Replace damaged or worn parts immediately.
10. **DO NOT OVERREACH.** Keep proper footing and balance at all times to prevent tripping falling, back injury, etc.
11. **DO NOT USE THIS TRAILER WHEN TIRED OR DISTRACTED.**
12. **INDUSTRIAL APPLICATIONS MUST FOLLOW OSHA REQUIREMENTS.**

SPECIFIC OPERATION WARNINGS

1. **BEFORE EACH USE, ALWAYS EXAMINE THE TRAILER** for proper tire (26) condition and air pressure, damaged Tail Lights (19, 22), damaged Side Running Lights (5), loose bolts and nuts, structural cracks, bends and any other condition that may affect its safe operation. Do not use the Trailer even if minor damage appears.
2. **BEFORE EACH USE, ALWAYS ATTACH THE SAFETY CHAINS (3)** of the trailer to the towing vehicle. Make sure the Safety Chains are attached to the towing vehicle with an equal length at each side. Do not allow the Safety Chains to drag on the ground.
3. **ALWAYS CHECK TO MAKE SURE THE PAYLOAD BEING TRANSPORTED IS PROPERLY AND SAFELY SECURED IN THE TRAILER.** Load the trailer evenly from side to side with 60% of the load weight forward of the Axle.
4. **MAKE SURE THE TOWING VEHICLE IS CAPABLE OF TOWING THIS TRAILER AND ITS PAYLOAD.** Make sure the hitch on the towing vehicle is capable of towing the trailer and its payload. The towing capacity of the hitch is typically stamped on the hitch drawbar.
5. **MAKE SURE** the hitch coupler (1) and the vehicle's Ball Hitch (not included) are of equal mating size (2") and are rated equal to or greater than the weight of the trailer and its payload.
6. **DO NOT EXCEED 45 MILES PER HOUR (72 km/h)** when towing the trailer. Excess speed is a major cause of vehicle-trailer accidents.
7. **DO NOT ATTEMPT TO POWER THE TRAILER LIGHTS WITH ANY OTHER THAN THE CORRECT TYPE OR VOLTAGE ELECTRICAL CURRENT.** The LED tail lights supplied with this trailer are for a 12 volt DC electrical system only.
8. **PARK THE TRAILERS ON A FLAT, LEVEL, PAVED SURFACE AND CHOCK BOTH TIRES** whenever possible, to keep the trailer from accidentally moving.
9. **BEFORE ATTEMPTING TO FOLD UP THE TRAILER,** make sure it is on a flat, level, solid surface and chock both Tires (26).
10. **NEVER ATTEMPT TO FOLD UP THE TRAILER WITHOUT THE HELP** of one or two able assistants.
11. **DO NOT EXCEED THE 1900 POUND WEIGHT CAPACITY.**
12. **DO NOT ALLOW ANYONE TO RIDE** in a towed vehicle or on the trailer.
13. **DO NOT TRANSPORT PASSENGERS OR HEAVY CARGO INSIDE A VEHICLE** that is being towed.
14. **THE COUPLER MUST BE PROPERLY SECURED TO THE HITCH BALL.** After assembly and attachment, pull up and down on the hitch coupler to make sure the hitch ball is snug in the hitch coupler. If the coupler is not secured properly, it could come loose while the trailer is in motion, causing property damage, serious personal injury or even death.
15. **MAKE WIDE TURNS** when towing a loaded trailer, avoiding both sharp turns and U-turns. Turning too sharply can cause damage to the trailer and/or the tow vehicle.

UNPACKING

- When unpacking, check to make sure all the parts shown on the Parts List (see p.) are included.
- If any parts are missing or broken, please contact with us.

TECHNICAL SPECIFICATIONS

Tires	175/80D13(C)
Wheel Lug Nuts	5 per wheel: 85-90 ft-lb. (115.24 - 122.02 Nm) torque
Tire Pressure	350 KPA (50 PSI/LPC)
Rim	13 x 5
Bed Dimensions	6 ft. x 10 ft. (182.9 cm x 304.8 cm)
Ball/Coupler size	2 Inch (\approx 2.54 cm)
Coupler capacity	Class II; 3500 lb. (1587.6 kg), Maximum Gross Load
Load Capacity	1950 lb. (885.5 kg)
Net weight	580 lb. (263 kg)
GVWR	2500 lb. (1133.98 kg)

Read the following instructions step by step. Refer also to the complete parts and hardware list.

Average assembly time is 1 hour.

You will need the following tools to assemble your trailer:

16 mm wrench or socket
17 mm wrench or socket
18 mm wrench or socket
19 mm wrench or socket
20 mm wrench or socket
21 mm wrench or socket
Pliers
Phillips screwdriver
Rubber mallet

NOTE:

- *The trailer parts are called out by standing at the rear of the trailer looking toward the hitch. The trailer frame parts are labeled.*
 - *Do not tighten any nuts and bolts until the entire trailer is assembled.*
 - *Periodically check all the nuts and bolts for tightness.*
 - *Tighten the wheel lug nuts to 85-90 ft-lb. (115.24 - 122.02 Nm) of torque after assembling the trailer, after the first 20, 50 and 100 miles (30, 80, and 160 kilometres) of driving and before each tow thereafter.*
-

ASSEMBLY

STEP 1

BED ASSEMBLY

First, find a bench with a height of 40cm or more for spare use.

1. Place the front (28) and rear (24) beds on the bench.
2. Use three (3) M12 x 80 bolts and nuts to connect both sections together. Do not tighten too much otherwise the upright rails (25, 29, 30) will be harder to assemble later on. (See Fig. 1)

Item N°.	Description	Qty
24	Rear bed	1
27	Hex M12 x 80 & nut (set)	3
28	Front bed	1

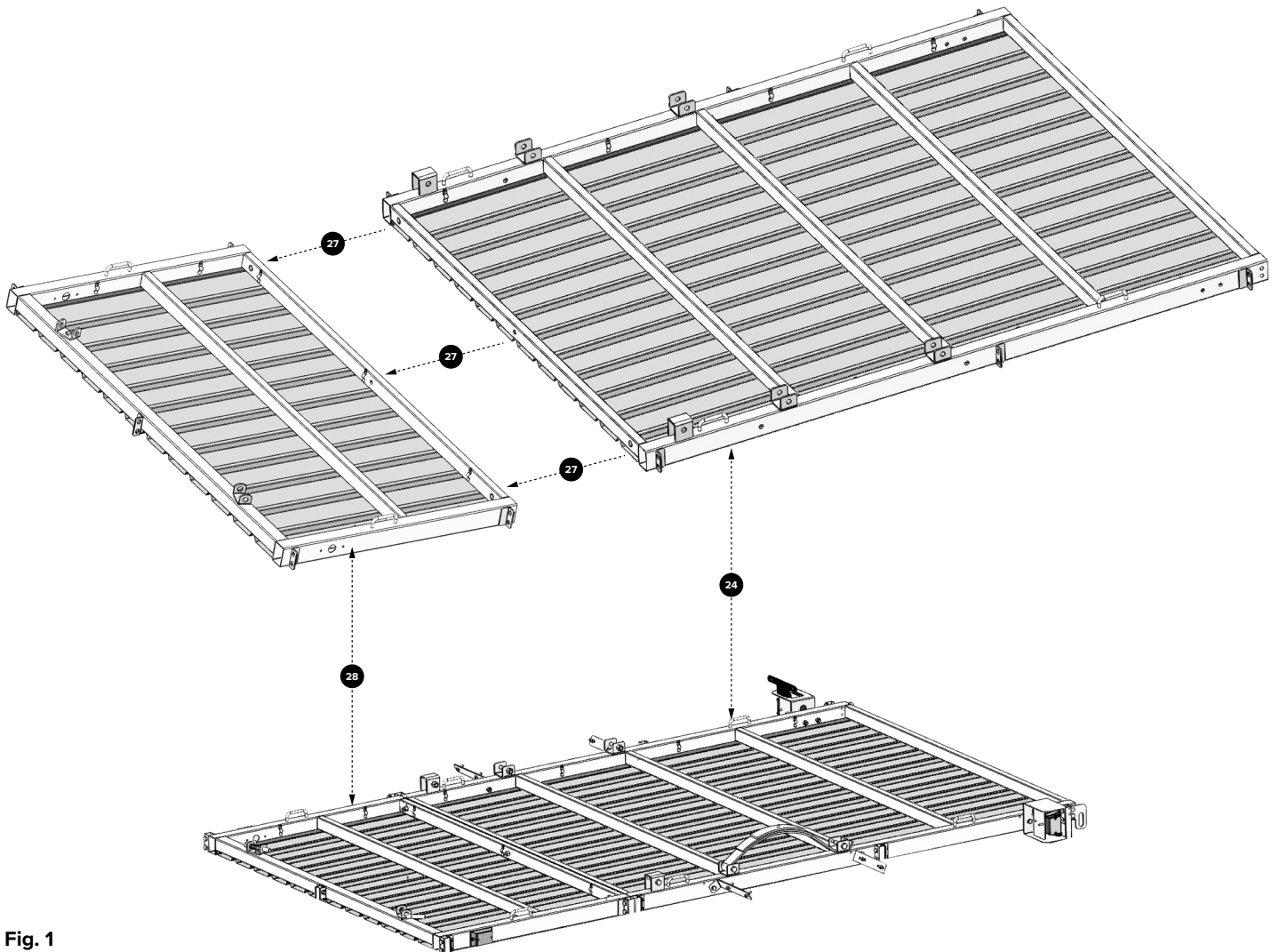


Fig. 1

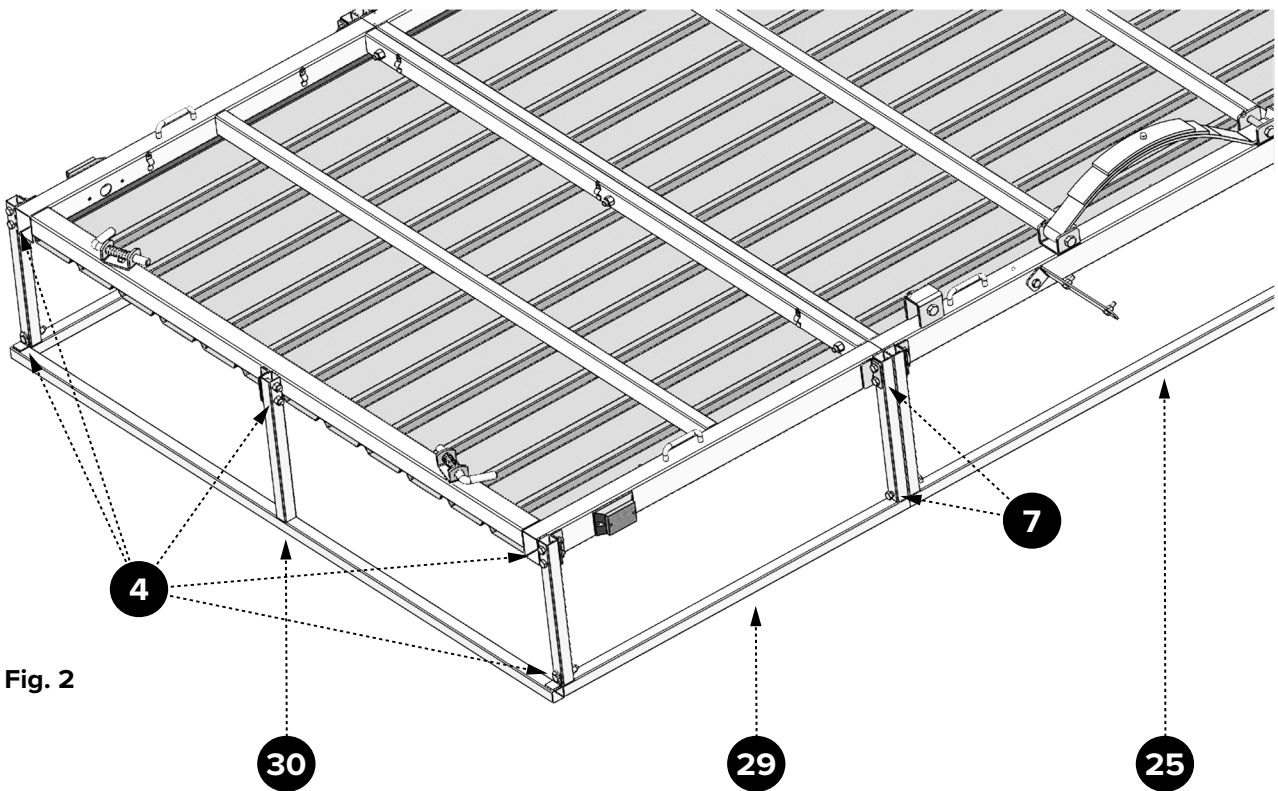
ASSEMBLY

STEP 2

RAILING ASSEMBLY

1. Place rails (25, 29, 30) as shown (Fig. 2), use the M10 x 85 (7) bolts and nuts provided for the double rail connections.
2. Use the M10 x 50 (4) bolts and nuts to connect the rest of the upright rails.
3. Tighten the M12 x 80 (27) bed nuts from Step 1.

Item N°.	Description	Qty.
25	Rear side rail	2
29	Front side rail	2
30	Front rail	1
7	Hex M10 x 85 bolt & nut (set)	6
4	Hex bolt M10 x 50 bolt & nut (set)	16



ASSEMBLY

STEP 3

SPRING ASSEMBLY

1. Place 3-leaf slipper springs (11) into the spring seats with the eyes forward as shown (Fig. 3).
2. Insert M14 x 80 (13) bolts facing the inside of the frame (Fig. 3).
3. Leave the bolts untightened.

Item N°.	Description	Qty.
11	3-leaf spring	2
13	Hex M14 x 80 bolt & nut (set)	4

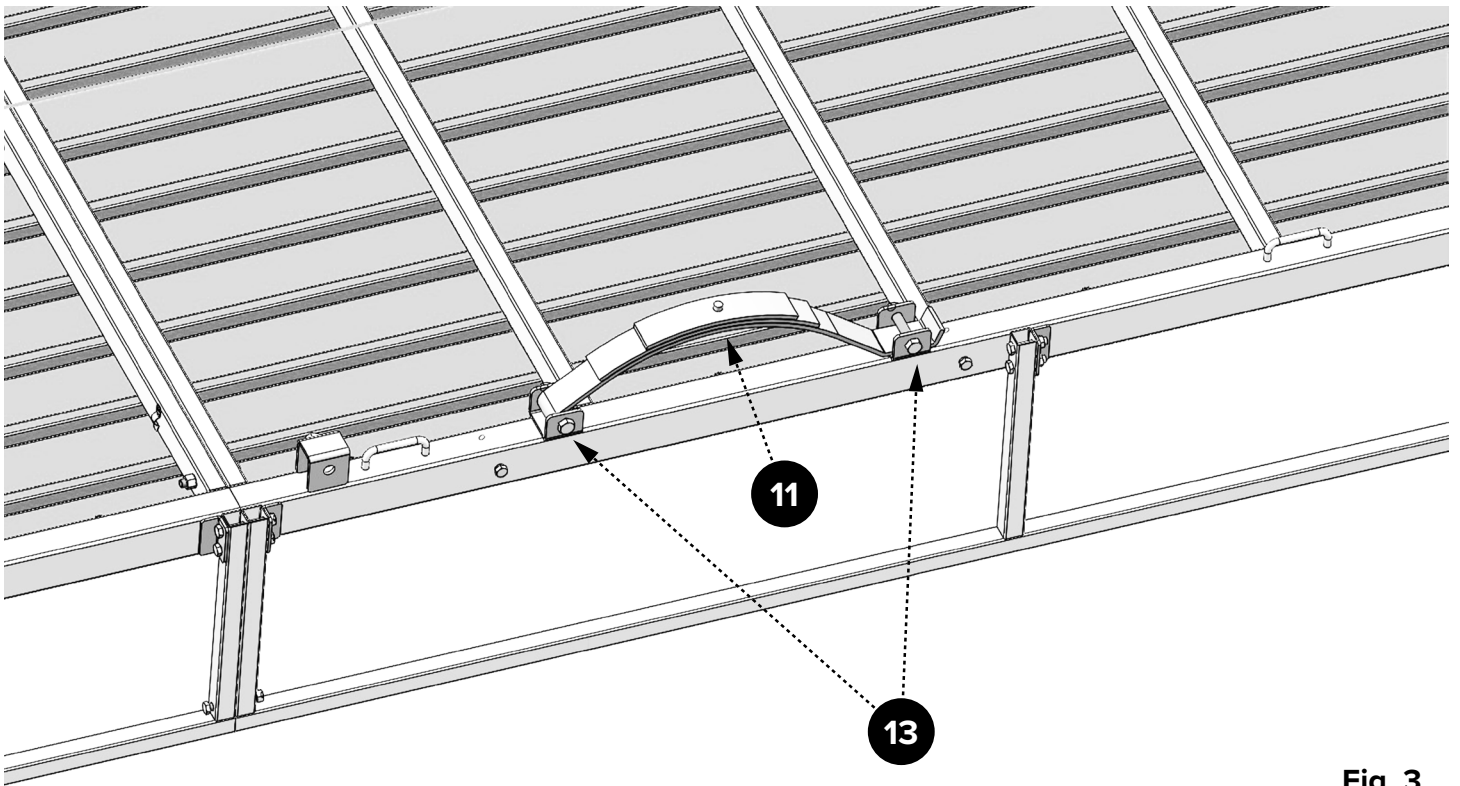


Fig. 3

ASSEMBLY

STEP 4

AXLE & WHEEL ASSEMBLY

1. Lay the axle across the springs.
2. Mount the axle to the 3-leaf springs (11) using U-bolts (8), leaf spring plates (12) and M12 nylock nuts to fasten the plates to the U-bolts (Fig. 5).

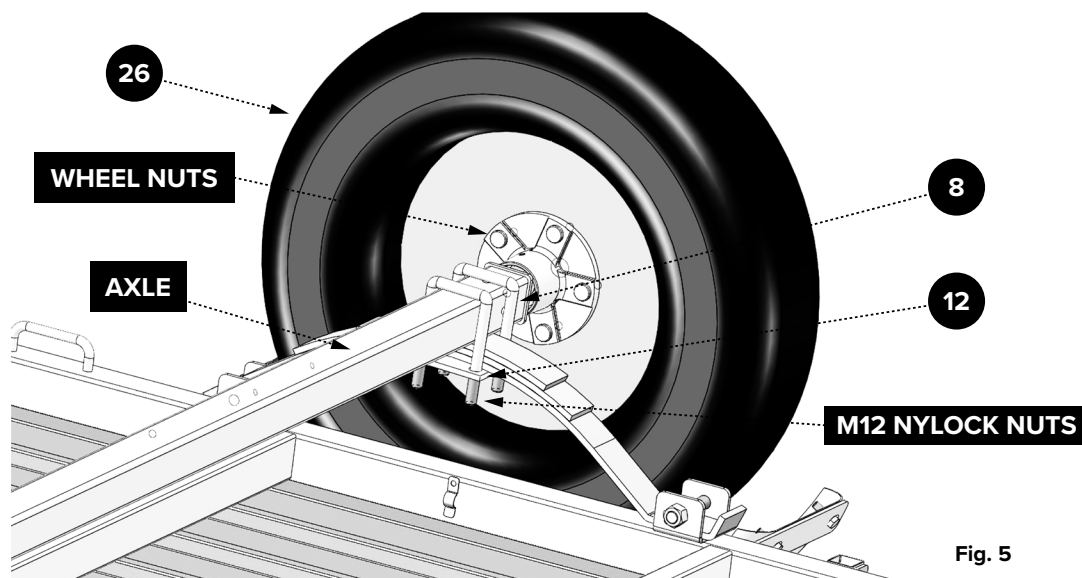
NOTE: Insert the raised point of the spring into the concave side on the axle. Make sure that the axle is in the right position. See Fig. 5 for a closer view of the wheel.

3. Install the wheels with the 10 wheel nuts provided.

NOTE:

- The wheel nuts will need to be torqued after the trailer is flipped over and the wheel can be better held.
- Tapered ends of the wheel nuts must be facing inward toward the wheel.

Item N°.	Description	Qty.
8	U-bolts	4
12	Leaf spring plates	2
26	Wheel	2



ASSEMBLY

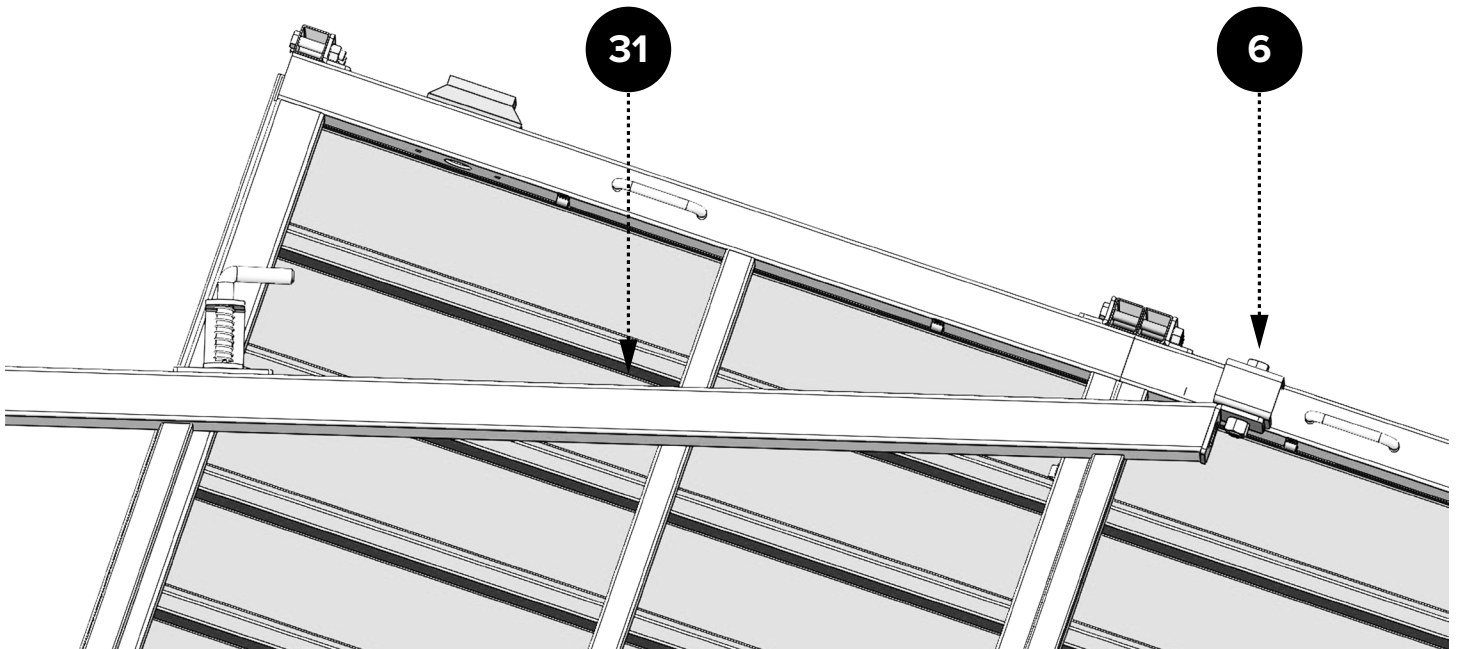
STEP 5

DRAWBAR ASSEMBLY

1. Place the drawbar (31) on the beds as shown (Fig. 6)
2. Connect the drawbar (31) on each side runner with the M14 x 70 (6) bolts and nuts provided.
3. Draw the L-Spring latch open for drawbar tubes to lock.
4. Do not tighten for the time being.

Item N°.	Description	Qty.
31	Drawbar	1
6	Hex M14 x 70 nuts & bolts (set)	2

Fig. 6



ASSEMBLY

STEP 6

PRE-WIRING INSTALLATION

The wiring is pre-assembled under the frame, and must be connected to the harness that connects to the front of the trailer drawbar (31).

STEP 7

FLIPPING THE TRAILER

Flip the trailer over with help and install the fenders.

WARNING: Rolling the trailer over will require assistance. The trailer at this point weighs approximately 583 lbs / 265 kg

STEP 8

FENDER ASSEMBLY

1. Attach the fenders using M10 x 70 (17) bolts and the L-brackets (9) as shown (Fig. 7).
2. Use the M8 x 25 (14) bolts to connect the fenders between the front and rear L-brackets (9).

Item N°	Description	Qty.
17	Hex M10 x 70 bolts & nuts (set)	4
9	Fender bracket	4
14	Hex M8 x 25 bolts & nuts (set)	8
10	Fender	1

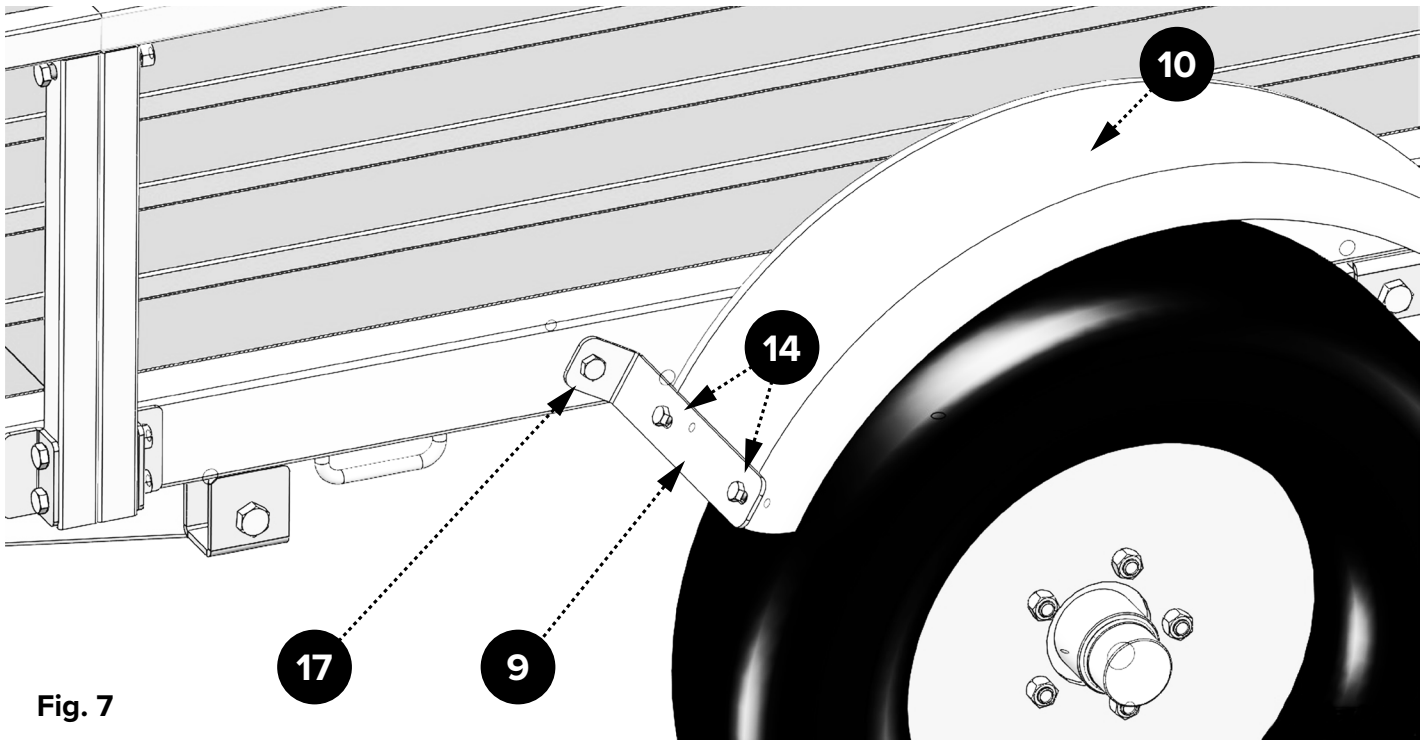


Fig. 7

ASSEMBLY

STEP 9

ATTACHING THE COUPLER

1. Install the coupler (1) and safety chain (3) using two M12 x 70 (2) bolts and nuts provided (Fig. 8).
2. The front bolt passes through the end link of the safety chain (3) as it is inserted through the drawbar tubes.

Item N°.	Description	Qty.
1	Coupler	1
3	Safety chain	1
2	Hex M12 x 70 nuts & bolts (set)	2

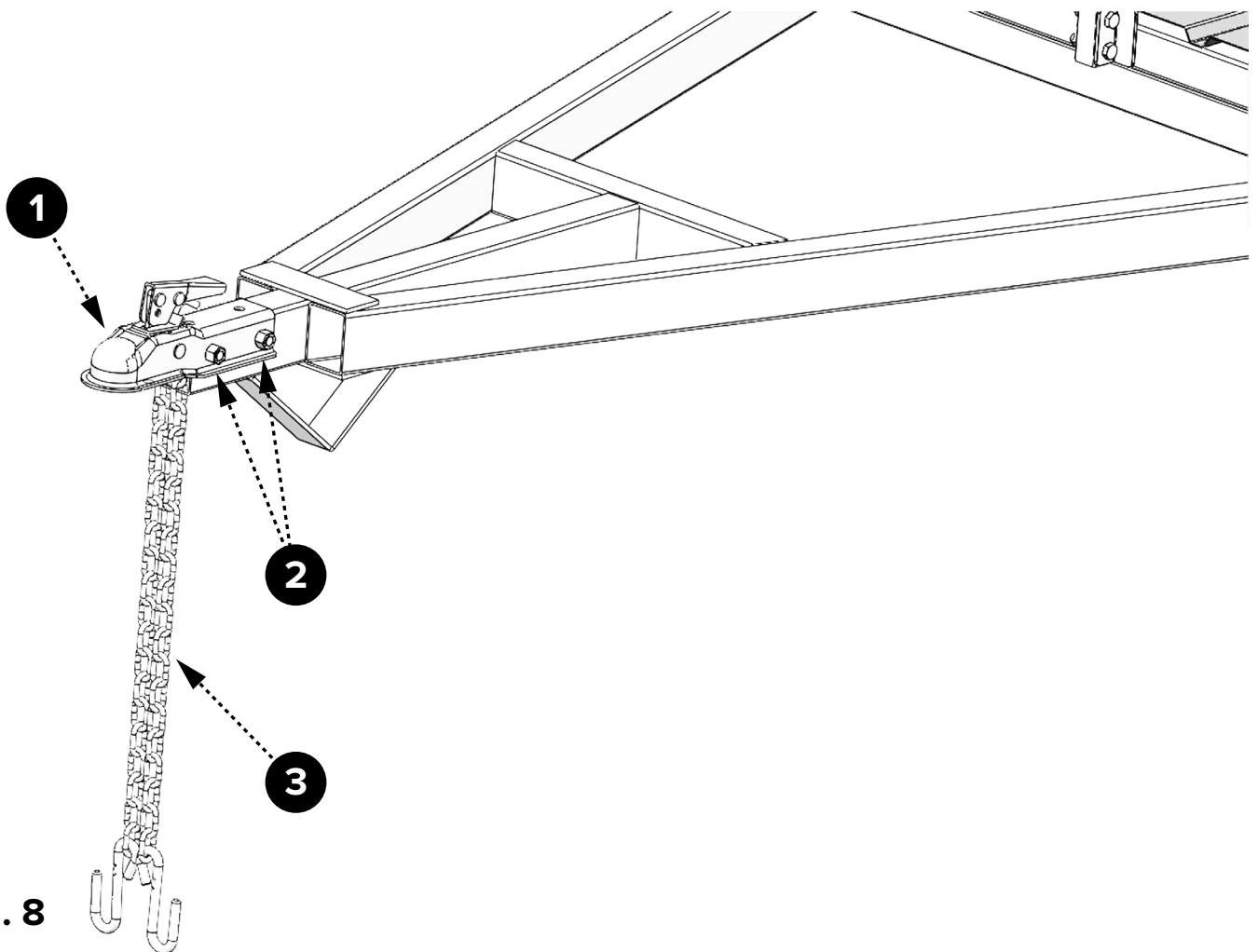


Fig. 8

ASSEMBLY

STEP 10

LIGHTING KIT INSTALLATION

1. Assemble the square light brackets (16, 23) to the trailer beds (24, 28) with M10 x 70 (17) bolts and nuts. The license plate holder (15) should be installed on the left-side light bracket (16) (Fig. 9-1).
2. Install the lights (19, 22) and complete the wiring.
3. Mount the clearance light (5) on the frame using the self-tapping screws (Fig. 9-2).
4. Plug light connector into the wire harness.

NOTE: The driver's side light is the one with the clear lenses on the bottom, the license plate bracket needs to be installed on the driver's side as well. Attach all necessary wiring and fasten lights to the side of the trailer.

Item N°	Description	Qty.
16	Left side light bracket	1
23	Right side light bracket	1
19	Left side rear light	1
22	Right side rear light	1
17	Hex M10 x 70 bolts & nuts (set)	4
5	Clearance light	2
15	License plate bracket	1

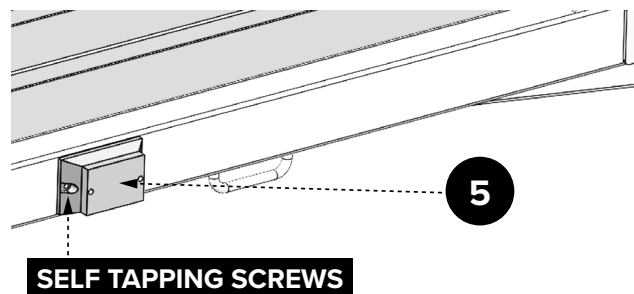
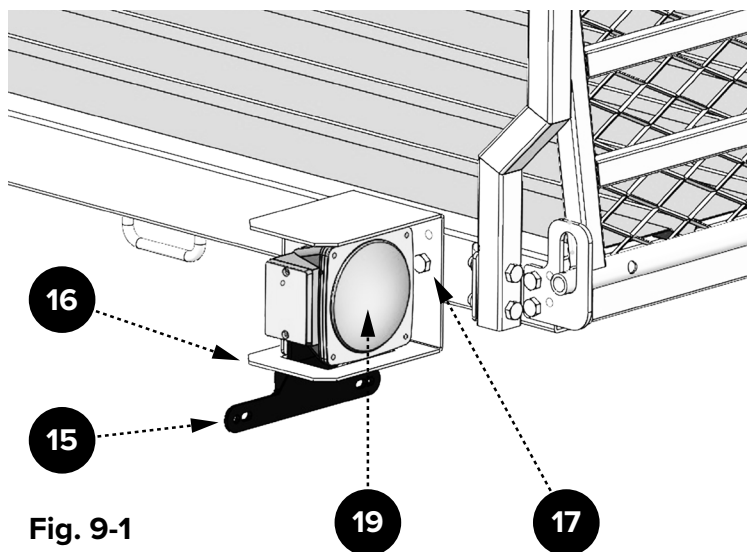


Fig. 9-2

ASSEMBLY

STEP 11

RAMP AND HINGE ASSEMBLY

1. Place the ramp (20) on the trailer bed and use M10 x 20 (18) bolts and nuts to fasten the hinge plates (21) and ramp to the rear of the trailer bed, DO NOT over-tighten until the lock nut grabs and bolt turns freely.
2. Lift up the ramp and lock to the UP position.

NOTE: Please check and tighten all bolts before finalizing the assembly.

3. At this point your trailer will be fully assembled. (Fig. 10)

Item N ^o .	Description	Qty.
18	Hex M10 x 20 bolts & nuts (set)	4
20	Ramp	1
21	Hinge plate	2

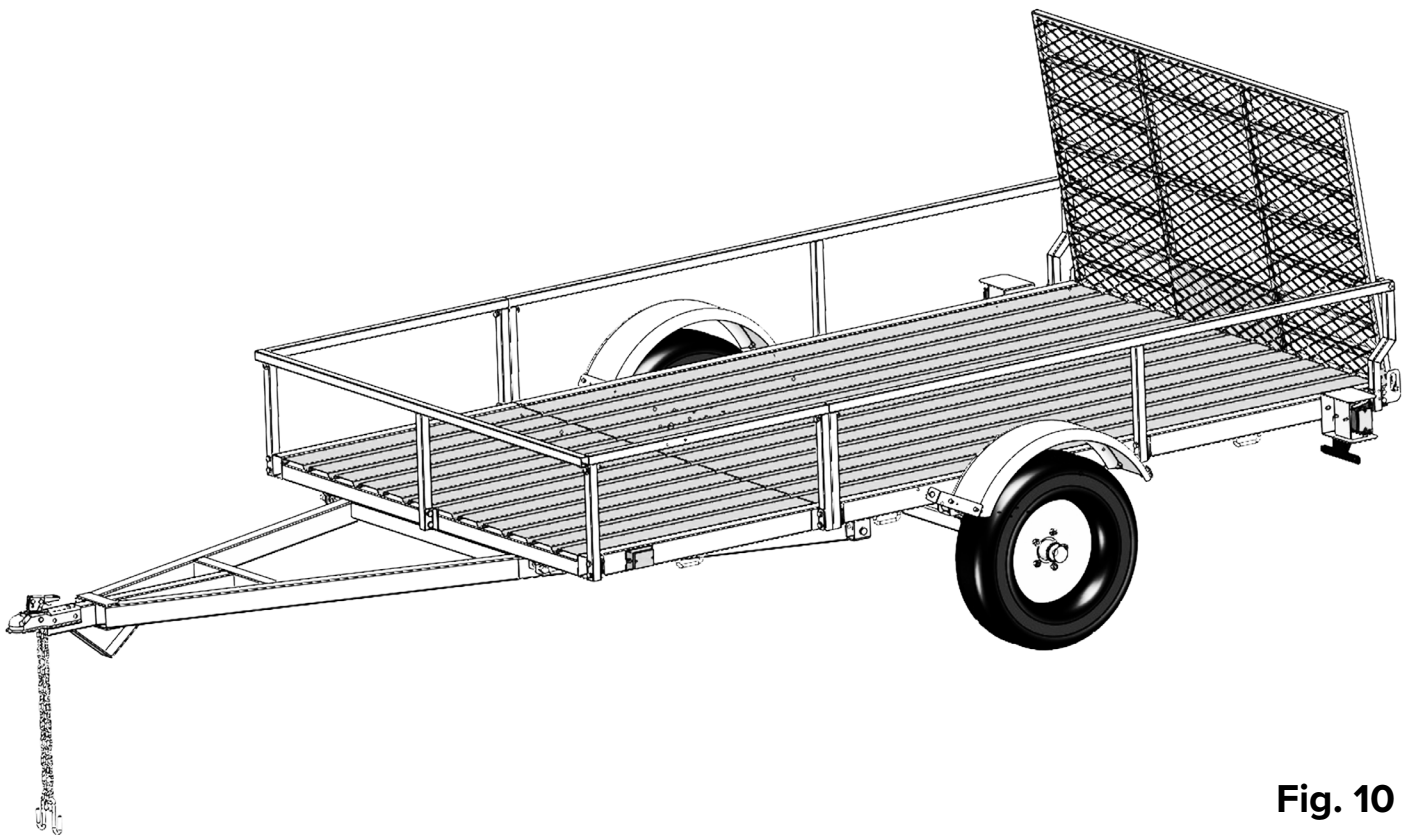
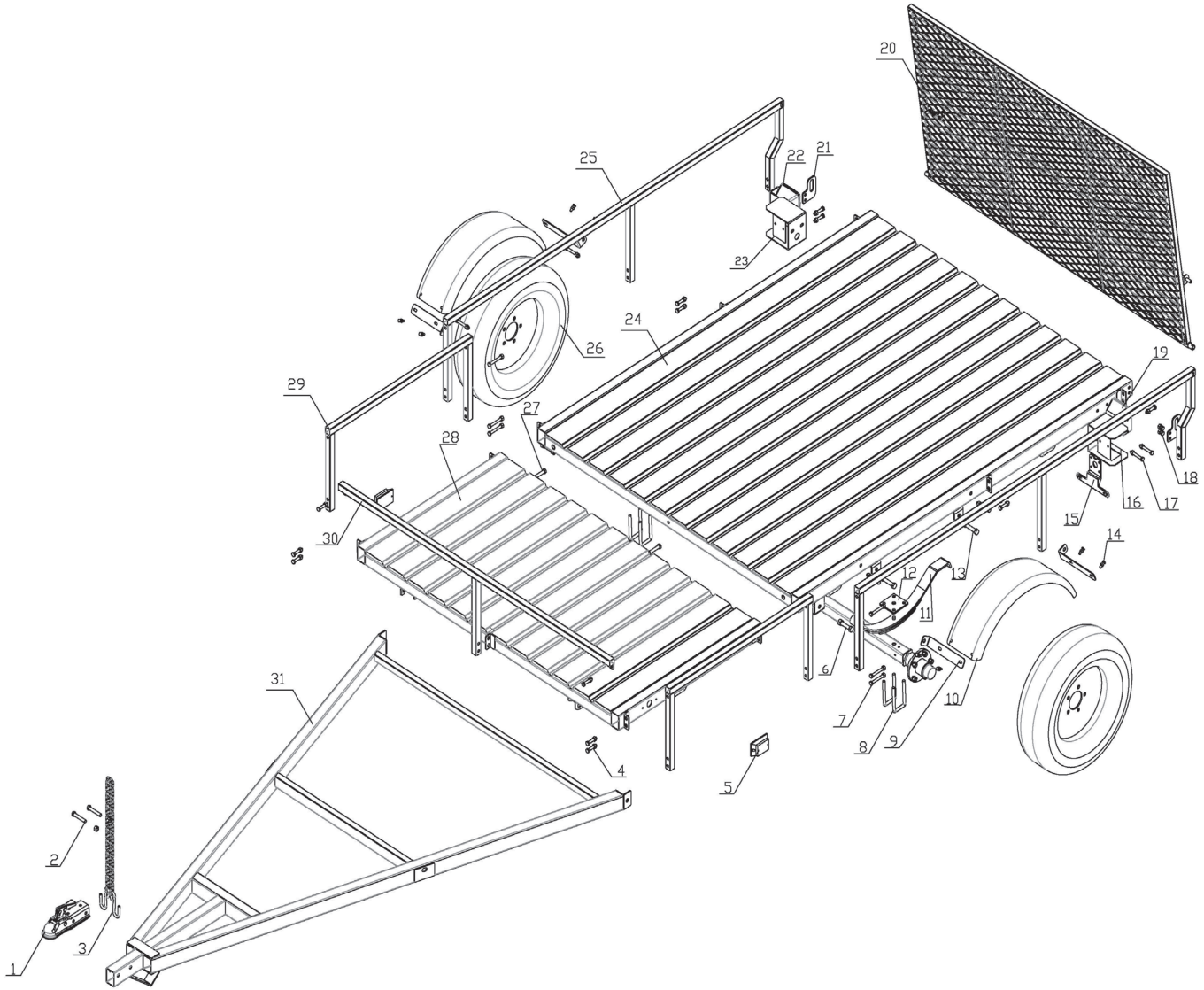


Fig. 10

SCHEMATIC DIAGRAM



PARTS LIST

Item N°.	Description	Qty.
1	2" coupler	1
2	Hex M12 x 70 bolts & nuts (set)	2
3	Safety chain	1
4	Hex M10 x 50 bolts & nuts (set)	16
5	Clearance light	2
6	Hex M14 x 70 bolts & nuts (set)	2
7	Hex M10 x 85 bolts & nuts (set)	6
8	U-bolt	4
9	Fender bracket	4
10	Fender	2
11	3-leaf spring	2
12	Leaf spring plate	2
13	Hex M14 x 80 bolts & nuts (set)	4
14	Hex M8 x 25 bolts & nuts (set)	8
15	License plate bracket	1
16	Left-side light bracket	1

Item N°.	Description	Qty.
17	Hex M10 x 70 bolts & nuts (set)	8
18	Hex M10 x 20 bolts & nuts (set)	4
19	Left-side rear light	1
20	Ramp	1
21	Hinge plate	2
22	Right-side rear light	1
23	Right-side light bracket	1
24	Rear bed	1
25	Rear side rail	2
26	Wheel	2
27	Hex M12 x 80 bolts & nuts (set)	3
28	Front bed	1
29	Front side rail	2
30	Front rail	1
31	Drawbar	1

SAFE USE AND OPERATION RULES

TOWING VEHICLE

- Make sure vehicle is capable of towing the load.
- Excess speed is the second most important cause of car-trailer accidents. Recommended maximum speed for all passenger cars towing trailers is 45 mph (72 km/h).

HITCH, BALL, COUPLER

- Check that the hitch on the towing vehicle is capable of towing the trailer. The capability of the hitch is normally stamped on the hitch bar and the capacity of the ball is stamped on the ball.
- Make sure the coupler and the ball the same size and are rated equal to or greater than the load.
- Never attach anything other than the proper size coupler to the ball for towing.

SAFETY CHAINS

- Always cross the chains under the coupler and connect the safety chains to the tow vehicle frame.
- Check that safety chains are attached to towing vehicle with the same length for each side.
- Do not allow chains to drag on ground.

LOADING

- Never overload trailer. Maximum load is 1900 pounds (861.8 kg).
- Load trailer evenly from side to side with 60% of the load forward of the axle. It is important that the tongue be pressing down on the hitch, but not exceeding a downward force of 90 pounds (40.8 kg).
- Reduce weight in car trunk and rear seat areas by amount of tongue weight of your trailer.
- It is unsafe and also against the law to carry passengers on or in any trailer.
- Always lock tail gate in the travel position before towing trailer.

LIGHTING

- Check all lights before each use and every 100 miles (160 km). REPAIR OR REPLACE ANY BROKEN LENSES, BULBS OR REFLECTORS.
- Check wires for good connections and possible fraying or wearing of insulation.
- Bulbs supplied with this trailer are for 12 volt system.
- Bulbs used in tail lights are: Number -1157-Stop/Turn and Tail.
- Bulbs for running lights are: Number -1895.

SAFE USE AND OPERATION RULES

WHEELS AND TIRES

- Check tire for wear, damage and proper inflation before each use and every 100 miles (160 km).
- Tire pressure should be kept at 50 PSI (350 kPa).
- Check and tighten lug nuts. Tighten to *85-90 ft-lb. (115.24 - 122.02 Nm)* of torque.
- **Retighten after first 25, 50 and 100 miles (40, 80, 160 km) and before towing each time thereafter.**

OPERATION

- Know how to properly control your towing vehicle-trailer combination on the highway under all conditions. It is important to remember that the loaded weight of the trailer will increase your braking and stopping distances appreciably.
- When towing a trailer over long distances, stop and check tightness of all connections, lights and running gear every 100 miles.
- Carry emergency flares, and fire extinguisher if required for operation in your state.
- It is desirable to carry extra bulbs and fuses if you are towing the trailer at night.
- Check safety chains and hooks for wear and do not allow safety chains to drag on ground.
- To prevent bearing damage, disassemble and repack wheel bearing with a good grade of wheel bearing grease every 2000-3000 miles (3200 - 4800 km) or yearly.
- If you do not know how to repack wheel bearing, take your trailer to a qualified technician.

IMPORTANT: *The purpose of the following notices is to give you tips on safe use and operation of your utility trailer.*

1. **PLEASE READ** the instructions carefully and follow them step-by-step for easy assembly. Please keep this instruction.
 2. **PLEASE DOUBLE CHECK THE ASSEMBLY** step-by-step to be sure each is followed.
 3. **BEFORE USING, PLEASE INSPECT** your trailer.
 4. **DO NOT REMOVE THE VIN STICKER** from the tow bar.
-

NOTICE:

- *Re-pack wheel bearings after every 3000 miles (4800 km) of use.*
 - *Keep tire pressure at 50 PSI (350 kPa) with tires at ambient temperature.*
 - *Please insure you comply with the following before using your trailer.*
 1. Tighten U-bolts
 2. Tighten wheel lug nuts.
 3. Coupler is secured to the ball and is properly adjusted.
 4. Cross and connect safety chains.
 5. Trailer load must not exceed its 1900 lb. (861.8 kg) capacity and must be properly secured.
 6. Trailer load size must not exceed trailers bed board size.
-

LICENSING

CANADIAN TRAILER LICENSING NOTICE

Some provinces may consider that this trailer is specially constructed or a homemade vehicle for registration, licensing and/or titling purposes.

When licensing your trailer, you will need the signed NVIS form, a purchase invoice, cash register receipt, or bill of sale showing the purchase and retail sales tax collected by the seller.

Take these to your local Provincial Ministry of Transportation Office and upon payment of the appropriate fees, you will be issued a title, registration, and license plate (if required). Some provinces will require inspection of the assembled and finished trailer kit before issuing a title registration/license.

If you require additional information or guidance on licensing or titling, please consult your Provincial Department of Motor Vehicles.

U.S.A TRAILER LICENSING NOTICE

Some states may consider that this trailer kit is specially constructed or a homemade vehicle for registration, licensing and/or titling purposes.

When licensing your trailer, you may need the signed M.C.O., a purchase invoice, cash register receipt, or bill of sale showing the purchase and retail sales tax or use tax collection by the seller. Take these to your local Department of Motor Vehicles and upon payment of the appropriate State fees, you will be issued a title, registration and license plate (if required). Some states will require inspection of the assembled and finished trailer kit before issuing a title registration/license.

If you require additional information or guidance on licensing or titling, please consult your State Department of Motor Vehicles.

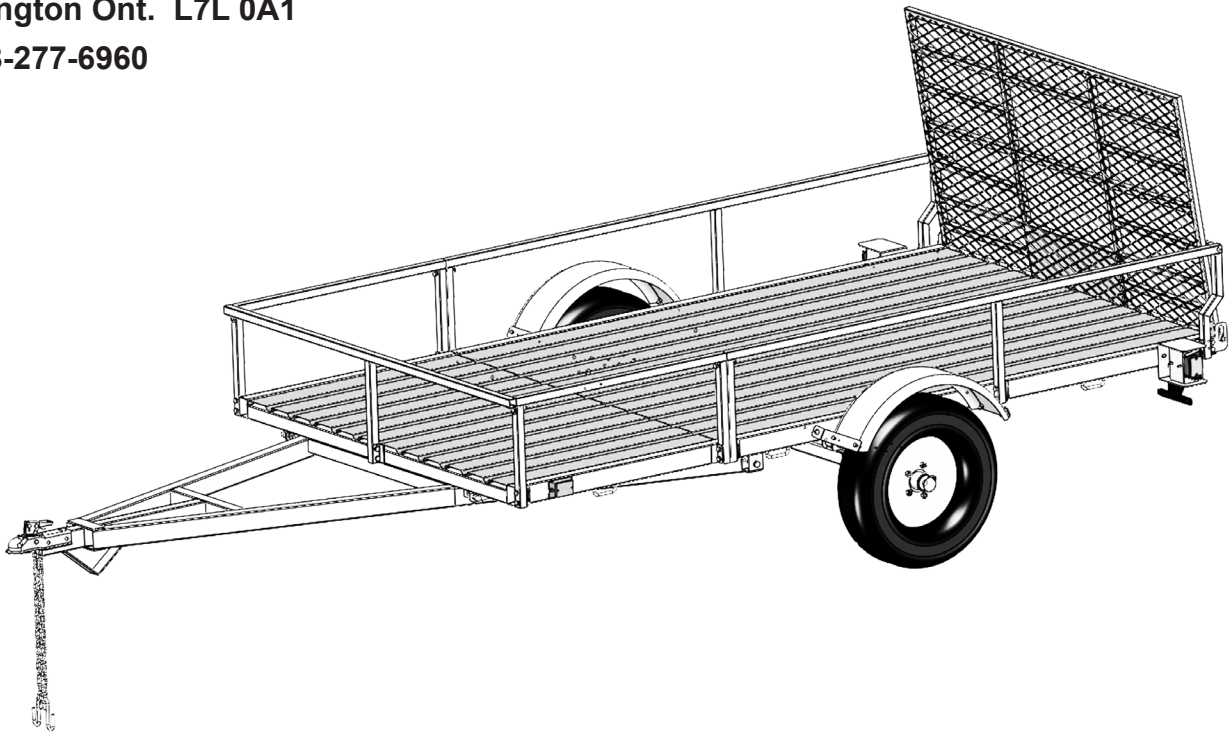


Remorque utilitaire de 6 pi x 10 pi
Le manuel du propriétaire
Modèle MMT6X10

10 pi (304,8 cm)
Remorque utilitaire

DETAIL K2 INC.

1080 Clay Ave., Unit #2
Burlington Ont. L7L 0A1
1-888-277-6960



STOP!

Questions, problems, missing parts? Do not return to your retailer.

Please call our customer service department at: 1(888) 277-6960. Our customer service staff are ready to provide assistance. If a part is damaged or missing, replacement parts can be shipped from our facility. For immediate help with assembly, or for additional product information, call our North American toll-free number: 1(888) 277-6960.

Save this manual

You will need this manual for safety instructions, operating procedures, and warranty.

Put it and the original sales invoice in a safe, dry place for future reference.

ARRÊTEZ!

Vous avez des questions, des problèmes, ou des pièces manquent? Ne retournez pas chez votre détaillant.

Veuillez appeler notre service à la clientèle au: 1-888-277-6960. Notre personnel du service à la clientèle est prêt à vous fournir une assistance.

Si une pièce est endommagée ou manquante, une pièce de remplacement peut vous être expédiée rapidement de nos installations. Pour une aide immédiate à l'assemblage ou pour plus d'informations sur le produit, veuillez communiquer avec notre numéro sans frais 1-888-277-6960.

Conservez ce manuel

Ce manuel vous offre des instructions sur la sécurité, des procédures opérationnelles et votre garantie.

Gardez-le ainsi que votre facture originale dans un endroit sec et sécurisé pour référence future.

ATTENTION! Veuillez lire ces instructions complètement **AVANT** de commencer à assembler. et installer votre remorque DK2. Le non-respect des instructions peut entraîner de graves blessures ou dommages matériels.

Merci beaucoup d'avoir choisi un produit DK2! Pour plus d'informations, veuillez compléter l'enregistrement ci-dessous:

Modèle: _____ Date d'achat: _____

Conservez le reçu, la garantie et ces instructions. Il est important que vous lisiez l'intégralité du manuel pour vous familiariser avec ce produit avant de commencer à l'utiliser.

Cette remorque est conçue pour certaines applications uniquement. Le distributeur ne peut être tenu responsable des problèmes résultant d'une modification. Nous recommandons fortement que cette remorque ne soit pas modifiée et/ou utilisée pour aucune application autre que celle pour laquelle il a été conçu. Si vous avez des questions relatives à une application, n'utilisez PAS la remorque avant d'avoir contacté le distributeur pour déterminer si cette application peut ou devrait être exécutée.

TABLE DES MATIÈRES

Pratiques d'exploitation sécuritaires importantes	23
Avertissements généraux	24
Avertissements de fonctionnement spécifiques	25
Spécifications techniques	26
Assemblage du plancher	27
Montage des panneaux	28
Assemblage du ressort	29
Ensemble essieu et roue	30
Ensemble de la barre de traction	31
Installation de précâblage	32
Retourner la remorque	32
Montage de l'aile	32
Fixation du coupleur	33
Installation de l'ensemble d'éclairage	34
Assemblage de la rampe et de la charnière	35
Diagramme schématique	36
Liste des pièces	37
Véhicule de remorquage	38
Attelage, boule, attache	38
Chaîne de sécurité	38
Chargement	38
Éclairage	38
Opération	39
Avis d'immatriculation des remorques canadiennes	40
Avis de licence de remorque aux États-Unis	40
Licence	40

PRATIQUE D'UTILISATION SÉCURITAIRE IMPORTANTE

IMPORTANT: *Lisez attentivement les règles et instructions de sécurité avant d'utiliser cet équipement. Lisez et suivez attentivement les instructions. Conservez le manuel du propriétaire pour référence ou des informations pour des pièces. Assurez-vous que tout futur utilisateur de cette remorque est informé de la correcte prise au véhicule et de son utilisation.*

ATTENTION: *La sécurité avant tout - lisez attentivement ce manuel avant d'attacher et d'utiliser votre remorque. Nous vous recommandons de lire entièrement ce manuel afin d'être pleinement conscient de toutes les recommandations de sécurité. Enregistrez votre numéro de série.*

DANGER: *Cet équipement a été conçu pour être utilisé selon les règles de sécurité dans ce manuel. Comme pour tout type d'équipement, la négligence ou l'erreur de l'utilisateur peut entraîner des blessures graves ou des dommages matériels.*

- Pour utiliser correctement cet équipement, vous devez respecter les règles de sécurité, les instructions de montage et les instructions d'utilisation qui se trouvent dans ce manuel.
- Toutes les personnes qui utilisent et entretiennent la remorque doivent être informées des dangers potentiels et bien familiarisés avec ce manuel.

AVERTISSEMENT IMPORTANT: *il est essentiel que votre remorque DK2 soit correctement fixée au véhicule.*

- *Une mauvaise fixation peut entraîner un accident de la route, causant des blessures graves, des blessures, ou la mort pour vous ou pour les autres.*
- *La sécurisation des remorques et des accessoires sur votre véhicule relève de votre responsabilité légale. Vérifiez la remorque avant à utiliser, et inspectez périodiquement les composantes pour le réglage, l'usure et les dommages.*
- *Vous devez lire et comprendre toutes les instructions et mises en garde avant d'installer ou d'utiliser la remorque.*
- *Si vous ne comprenez pas toutes les instructions et mises en garde, ou si votre expérience mécanique ne vous permet de les comprendre, faire installer la remorque par un professionnel.*

AVERTISSEMENT: *Vous êtes responsable de vous assurer que la remorque se fixe de manière sûre et sécuritaire au véhicule.*

- *Cette remorque est conçue pour être utilisée sur les voitures, les camions et les VUS qui ont l'attelage de remorque et la capacité de poids de remorquage.*
- *Une utilisation et une fixation inappropriées de la remorque au véhicule peuvent endommager la cargaison, la remorque et/ou votre véhicule. Il peut également infliger des dommages à d'autres véhicules derrière et ailleurs sur la route autour de vous.*

- Ne faites pas passer la remorque dans un lave-auto automatique.

AVERTISSEMENTS GÉNÉRAUX

AVERTISSEMENT: lisez et comprenez toutes les instructions. Le Non-respect de toutes les instructions énumérées ci-dessous peut entraîner des chocs électriques, un incendie et/ou des blessures graves.

AVERTISSEMENT: les avertissements, mises en garde et instructions décrites dans ce manuel d'instructions ne peuvent pas couvrir toutes les conditions ou situations possibles qui pourraient survenir. Il doit être compris par l'utilisateur que le bon sens et la prudence sont des facteurs qui ne peuvent pas être intégrés dans ce produit, mais doivent être fournis par l'utilisateur.

1. **GARDER LA ZONE DE TRAVAIL PROPRE ET SEC.** Les zones de travail humides ou mouillées peuvent entraîner des blessures.
2. **TENIR LES ENFANTS À L'ÉCART DE LA ZONE DE TRAVAIL.** Ne laissez pas les enfants manipuler ce produit.
3. **PORTEZ TOUJOURS DES LUNETTES DE SÉCURITÉ APPROUVÉES PAR LA ANSI ET DES GANTS DE TRAVAIL ROBUSTE** durant le montage et utilisation. Ne portez pas de vêtements amples ni de bijoux qui pourraient se coincer dans les pièces mobiles.
4. **LISEZ ATTENTIVEMENT LE MANUEL DU PROPRIÉTAIRE.** Apprenez à connaître votre remorque et familiarisez-vous avec ses applications et limitations.
5. **UTILISEZ LA REMORQUE SELON LES DIRECTIVES DE CE MANUEL.** Ne pas en abuser ni la forcer à faire un travail pour lequel elle n'a pas été conçue.
6. **UTILISEZ UNIQUEMENT DES PIÈCES D'ÉQUIPEMENT ET DES ACCESSOIRES D'ORIGINE.** Consultez ce manuel du propriétaire. L'utilisation des accessoires incorrects peut entraîner des risques imprévus.
7. **ENTREPOSAGE DE LA REMORQUE.** Lorsqu'elle n'est pas utilisée, la remorque doit être entreposée dans un endroit sec pour éviter la rouille. Verrouillez toujours la remorque et tenez-la hors de portée des enfants.
8. **UTILISEZ LE BON OUTIL POUR LE TRAVAIL.** N'essayez pas de forcer cette remorque à faire le travail équipement industriel plus important. Il existe certaines applications pour lesquelles cette remorque a été conçue. Elle fera le travail mieux et plus sûrement pour la capacité pour laquelle elle a été conçue. Ne modifiez pas la remorque et n'utilisez pas cet équipement à des fins pour lesquelles elle n'a pas été conçue.
9. **VÉRIFIEZ LES PIÈCES ENDOMMAGÉES.** Avant d'utiliser ce produit, vérifiez soigneusement qu'il fonctionnera correctement et exécutera la fonction demandée. Vérifiez les pièces endommagées et toute autre condition qui pourrait affecter le fonctionnement du produit. Remplacez immédiatement les pièces endommagées ou usées.
10. **NE SAUVEZ PAS DE TEMPS.** Gardez une position et un équilibre appropriés en tout temps pour éviter de trébucher, de tomber, de vous blesser, etc.
11. **N'UTILISEZ PAS CETTE REMORQUE LORSQUE DISTRAIT OU FATIGUÉ.**
12. **LES APPLICATIONS INDUSTRIELLES DOIVENT RESPECTER LES EXIGENCES OSHA.**

AVERTISSEMENTS DE FONCTIONNEMENT SPÉCIFIQUES

1. **AVANT CHAQUE UTILISATION, EXAMINER TOUJOURS LA REMORQUE** pour vérifier l'état des pneus (26) et la pression d'air, feux arrière endommagés (19, 22), feux de position latéraux endommagés (5), boulons et écrous desserrés, fissures de la structure, bosses et toute autre condition pouvant affecter sa sécurité de fonctionnement. N'utilisez pas la remorque si des dommages mineurs apparaissent ils pourraient devenir majeure.
2. **AVANT CHAQUE UTILISATION, FIXEZ TOUJOURS LES CHÂÎNES DE SÉCURITÉ** (3) de la remorque au véhicule tracteur. Assurez-vous que les chaînes de sécurité sont attachées au véhicule avec une longueur égale de chaque côté. Ne laissez pas les chaînes de sécurité glisser sur le sol.
3. **TOUJOURS VÉRIFIER POUR VOUS ASSURER QUE LA CHARGE TRANSPORTÉE EST CORRECTEMENT SÉCURISÉE DANS LA REMORQUE.** Chargez la remorque uniformément d'un côté à l'autre avec 60% du poids de la charge en avant de l'essieu.
4. **ASSUREZ-VOUS QUE LE VÉHICULE EST CAPABLE DE TIRER CETTE REMORQUE ET SA CHARGE UTILE.** Assurez-vous que l'attelage du véhicule est capable de tirer la remorque et sa charge utile. La capacité de remorquage est généralement estampillée sur la barre de l'attelage.
5. **ASSUREZ-VOUS** que le coupleur d'attelage (1) et l'attelage à boule du véhicule (non inclus) sont de même taille d'accouplement 2,54 cm (2 ") et ont une valeur nominale égale ou supérieure au poids de la remorque et de sa charge utile.
6. **NE PAS DÉPASSER 45 MILLES PAR HEURE** (72 km/h) lors du remorquage de la remorque. L'excès de vitesse est une cause des accidents de véhicule-remorque.
7. **N'ESSAYEZ PAS D'ALIMENTER LES FEUX DE REMORQUE AVEC UN AUTRE TYPE DE COURANT QUE LE BON TYPE OU COURANT ÉLECTRIQUE DE TENSION.** Les feux arrière DEL fournis avec cette remorque sont pour un système électrique 12V uniquement.
8. **GARER LA REMORQUE SUR UNE SURFACE PLANE, DE NIVEAU, PAVÉE ET CALER LES DEUX PNEUS** pour empêcher la remorque de se déplacer accidentellement.
9. **AVANT DE TENTER DE MONTER LA REMORQUE,** assurez-vous qu'elle se trouve sur une surface plane, de niveau et solide. Calez les deux pneus (26).
10. **NE JAMAIS TENTER DE MONTER LA REMORQUE SANS L'AIDE** d'un ou deux assistants compétents.
11. **NE PAS DÉPASSER LA CAPACITÉ DE POIDS DE 1900 LIVRES.**
12. **NE PERMETTEZ À PERSONNE D'ÊTRE** dans la remorque quand remorqué.
13. **NE TRANSPORTEZ PAS DE PASSAGERS OU DE CHARGES TROP LOURDES LA REMORQUE.**
14. **LE COUPLEUR DOIT ÊTRE BIEN FIXÉ À LA BOULE D'ATTELAGE** Après montage et fixation, tirez de haut en bas sur le coupleur d'attelage pour vous assurer que la boule d'attelage est bien serrée dans le coupleur d'attelage. Si l'attelage n'est pas fixé correctement, il pourrait se détacher pendant que la remorque est en mouvement, causant des dommages, des dommages corporels graves, voire mortels.
15. **FAITES DES VIRAGES LARGES** lorsque vous remorquez une remorque chargée, évitez les virages serrés et les demi-tours. Tourner trop brusquement peut endommager la remorque et/ou le véhicule tracteur.

DÉBALLAGE

- Lors du déballage, assurez-vous que toutes les pièces figurant sur la liste des pièces (voir p.) sont incluses.
- Si des pièces sont manquantes ou cassées, veuillez nous contacter.

SPÉCIFICATIONS TECHNIQUES

Pneus	175/80D13(C)
Écrous de roue	5 par roue: Couple :85-90 lb-pi. (115,24 - 122,02 Nm)
Pression des pneus	350 KPA (50 PSI/LPC)
Jante	13 x 5
Dimensions du plancher	6 pi x 10 pi (182,9 cm x 304,8 cm)
Boule/Coupleur taille	2 pouces (≈ 2,54 cm)
Capacité du coupleur	Classe II; 3500 lb (1587,6 kg), charge brute maximale
Capacité de charge	1950 lb (885,5 kg)
Poids net	580 lb (263 kg)
PNBV	2500 lb (1133,98 kg)

Lisez les instructions suivantes étape par étape. Reportez-vous également à la liste complète des pièces et du matériel.

Le temps de montage moyen est de 1 heure.

Vous aurez besoin des outils suivants pour assembler votre remorque:

Clé ou douille de 16 mm
Clé ou douille de 17 mm
Clé ou douille de 18 mm
Clé ou douille de 19 mm
Clé ou douille de 20 mm
Clé ou douille de 21 mm
Pinces
Tournevis Phillips
Rubber mallet

REMARQUE:

- *Les pièces de la remorque sont appelées en se tenant à l'arrière de la remorque en regardant vers l'attelage. Les pièces du châssis de la remorque sont étiquetées.*
- *Ne serrez pas les écrous et les boulons avant que toute la remorque ne soit assemblée.*
- *Vérifiez régulièrement le serrage de tous les écrous et boulons.*
- *Serrez les écrous de roue à 85-90 lb-pi. (115,24 - 122,02 Nm) de couple après assemblage de la remorque, et après les 20, 50 et 100 premiers mille (30, 80 et 160 kilomètres) de conduite et avant chaque remorquage par la suite.*

ASSEMBLAGE

ÉTAPE 1

ASSEMBLAGE DU PLANCHER

Tout d'abord, trouvez un banc d'une hauteur de 40 cm ou plus pour une utilisation de rechange.

1. Placez la partie avant (28) et arrière (24) sur le banc.
2. Utilisez trois (3) boulons et écrous M12 x 80 pour relier les deux sections ensemble. Ne serrez pas trop sinon, les rails verticaux (25, 29, 30) seront plus difficiles à assembler ultérieurement. (Voir la Fig.1)

N°.	Description	Qté.
24	Plancher arrière	1
27	Jeu d'écrou Hex M12 x 80	3
28	Plancher avant	1

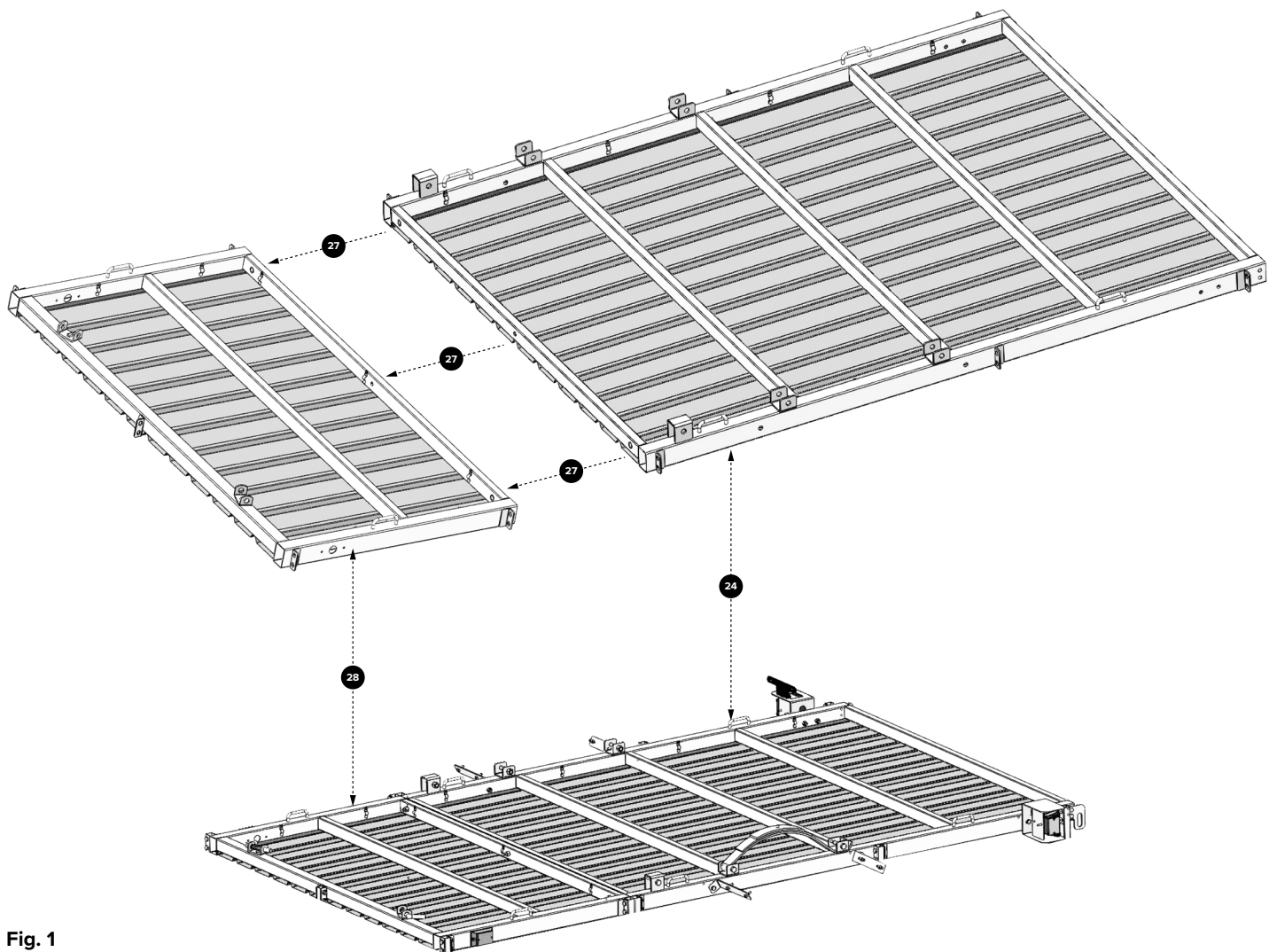
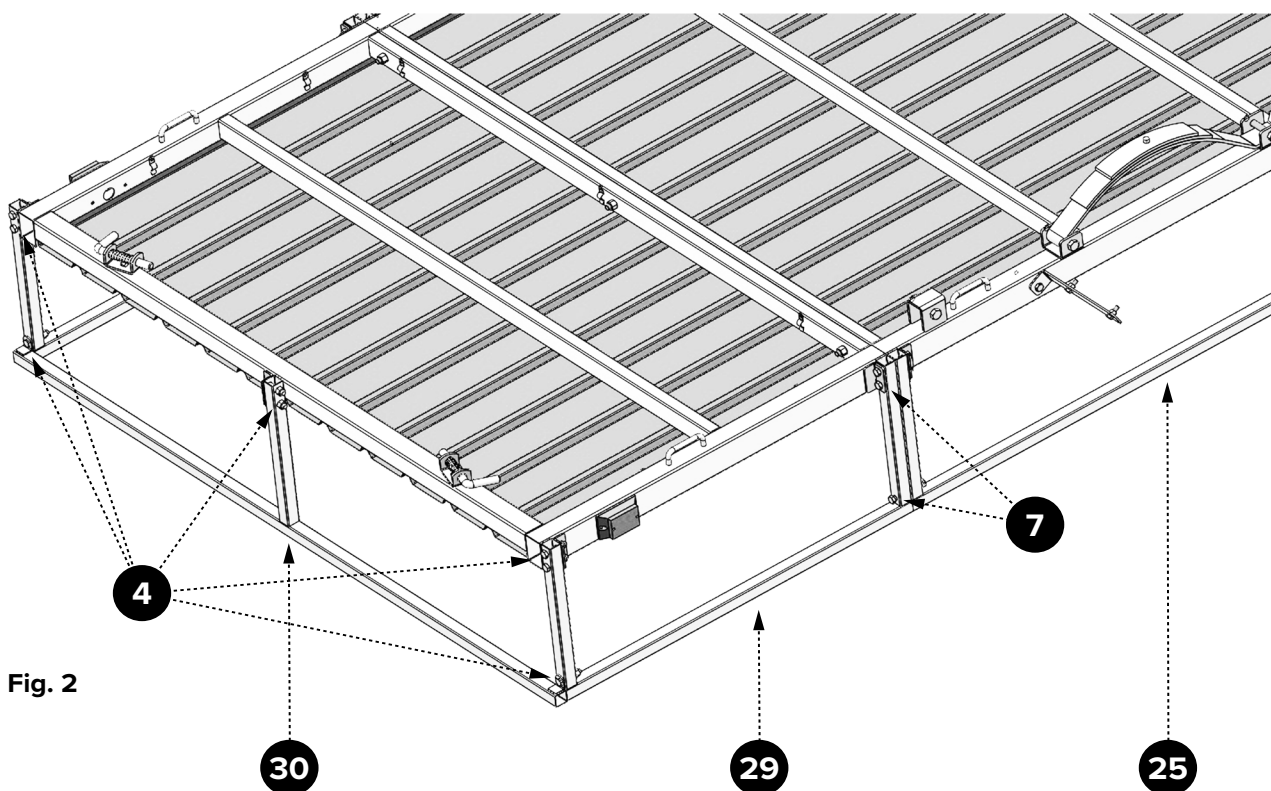


Fig. 1

ASSEMBLAGE**ÉTAPE 2****MONTAGE DES RAILS DE CONTOUR**

1. Placez les rails (25, 29, 30) comme indiqué (Fig. 2), utilisez les boulons et écrous M10 x 85 (7) fournis pour l'assemblage des doubles rails.
2. Utilisez les boulons et écrous M10 x 50 (4) pour assembler le reste des rails des montants.
3. Serrez les écrous de lit M12 x 80 (27) de l'étape 1.

N ^o .	Description	Qté.
25	Rail latéral arrière	2
29	Rail latéral avant	2
30	Rail avant	1
7	Boulon et écrou hexagonaux M10 x 85 (ensemble)	6
4	Boulon hexagonal et écrou M10 x 50 (jeu)	16



ASSEMBLAGE

ÉTAPE 3

MONTAGE DU RESSORT

1. Placer les ressorts à 3 lames (11) dans les sièges à ressort avec l'œil vers l'avant tel qu'illustré (Fig. 3).
2. Insérez les boulons M14 x 80 (13) faces à l'intérieur du cadre (Fig. 3).
3. Laissez les boulons non serrés.

N°.	Description	Qté.
11	ressort à 3 lames	2
13	Boulon et écrou hexagonaux M14 x 80 (ensemble)	4

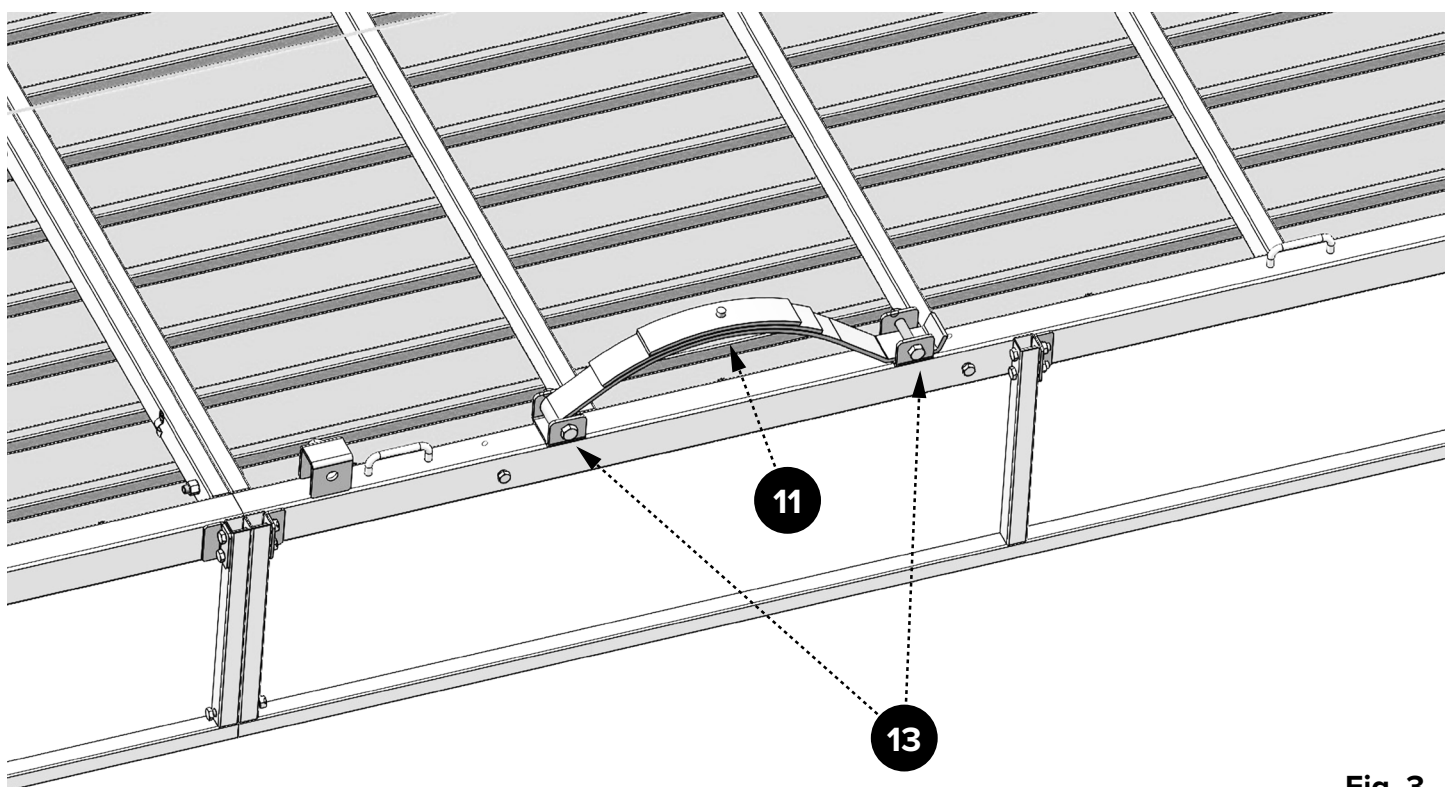


Fig. 3

ASSEMBLAGE

ÉTAPE 4

ASSEMBLAGE ESSIEU ET ROUE

1. Posez l'essieu sur les ressorts.
2. Montez l'essieu sur les ressorts à 3 lames (11) à l'aide des boulons en U (8), des plaques de ressort à lames (12) et des écrous nylock M12 pour fixer les plaques aux boulons en U (Fig.5).

REMARQUE: Insérez le point surélevé du ressort dans le côté concave de l'essieu. Assurez-vous que l'essieu est dans la bonne position. Voir la Fig. 5 pour une vue rapprochée de la roue.

3. Installez les roues avec les 10 écrous de roue fournis.

REMARQUE:

- Les écrous de roue devront être serrés après le retournement de la remorque et la roue peut être mieux tenue.
- Les extrémités coniques des écrous de roue doivent être tournées vers l'intérieur vers la roue.

N°.	Description	Qté.
8	Boulons en U	4
12	Plaques de ressort à lames	2
26	Roue	2

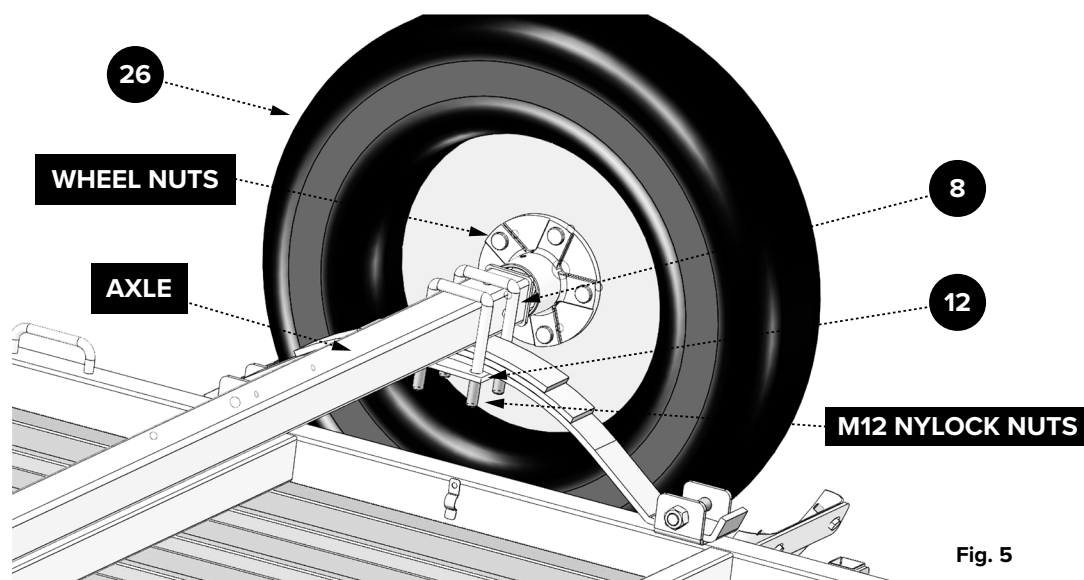


Fig. 5

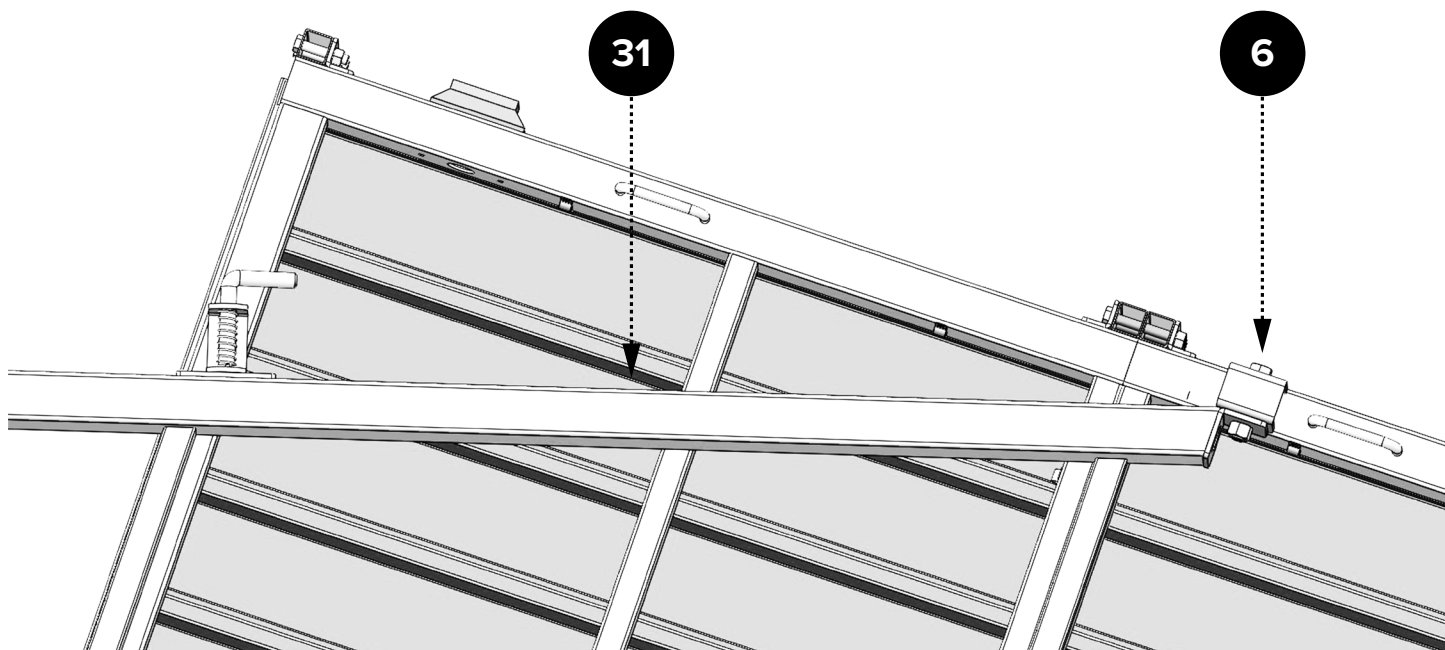
ÉTAPE 5

ASSEMBLAGE DE LA BARRE DE TIRAGE

1. Placez le timon (31) sur le plancher comme illustré (Fig. 6)
2. Connectez la barre de traction (31) de chaque glissière latérale avec les boulons et écrous M14 x 70 (6) fournis.
3. Ouvrez le loquet à ressort en L pour que les tubes de timon se verrouillent.
4. Ne serrez pas pour le moment.

N°.	Description	Qté.
31	Barre d'attelage	1
6	écrous et boulons hexagonaux M14 x 70 (jeu)	2

Fig. 6



ASSEMBLAGE**ÉTAPE 6****INSTALLATION DU CÂBLAGE**

Le câblage est préassemblé sous le cadre et doit être connecté au faisceau qui se connecte à l'avant du timon de remorque (31).

ÉTAPE 7**RETOURNER LA REMORQUE**

Retournez la remorque avec de l'aide et installez les ailes.

AVERTISSEMENT: Retourner la remorque nécessitera de l'aide. La remorque à ce stade pèse environ 583 lb/265 kg

ÉTAPE 8**MONTAGE DE L'AILE**

1. Fixez les ailes à l'aide de boulons M10 x 70 (17) et des supports en L (9) comme illustré (Fig. 7).
2. Utilisez les boulons M8 x 25 (14) pour connecter les ailes entre les supports en L avant et arrière (9).

N°	Description	Qté.
17	Boulons et écrous hexagonaux M10 x 70 (jeu)	4
9	Support d'aile	4
14	Boulons et écrous hexagonaux M8 x 25 (jeu)	8
10	Aile	1

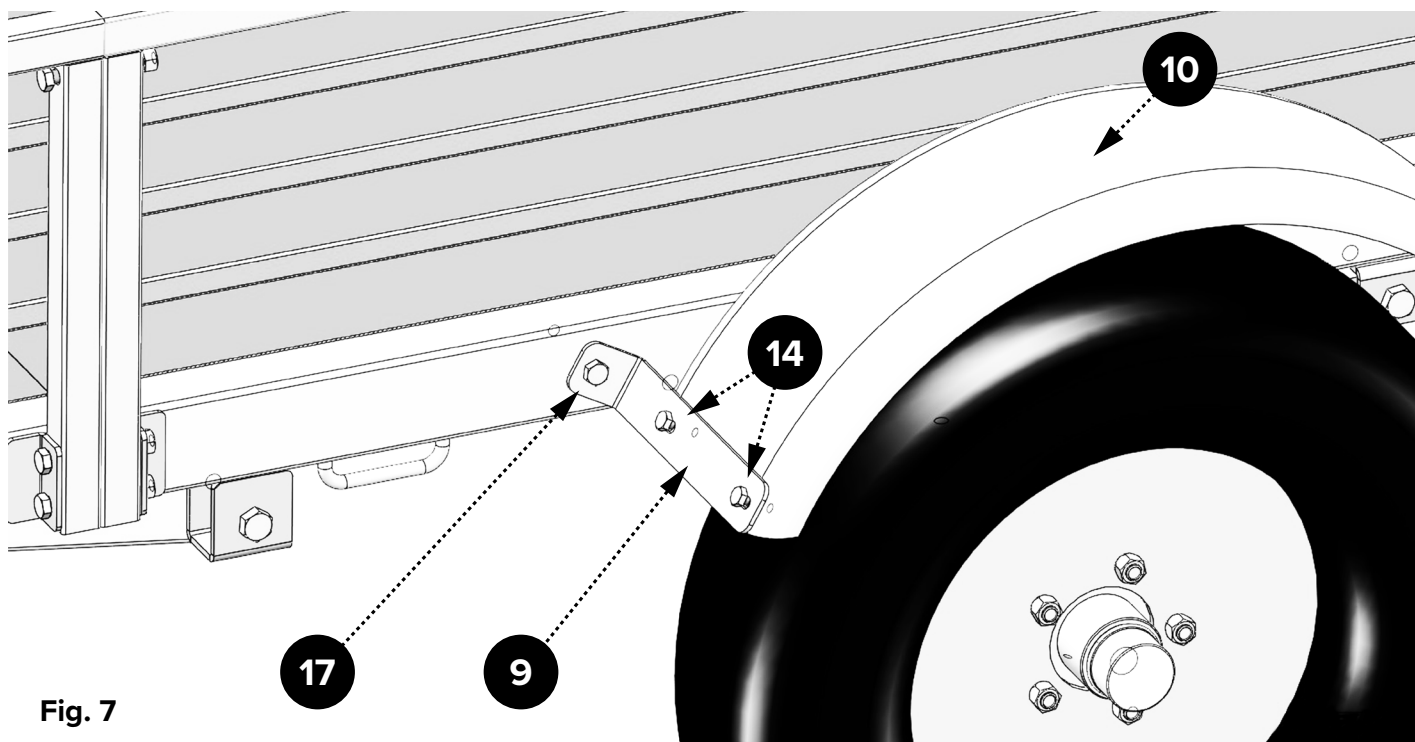


Fig. 7

ÉTAPE 9

FIXATION DU COUPLEUR

1. Installez le coupleur (1) et la chaîne de sécurité (3) à l'aide de deux boulons et écrous M12 x 70 (2) fournis (Fig. 8).
2. Le boulon avant passe à travers le maillon d'extrémité de la chaîne de sécurité (3) lorsqu'il est inséré dans le tube de timon.

N°.	Description	Qté.
1	Coupleur	1
3	Chaîne de sécurité	1
2	écrous et boulons hexagonaux M12 x 70 (jeu)	2

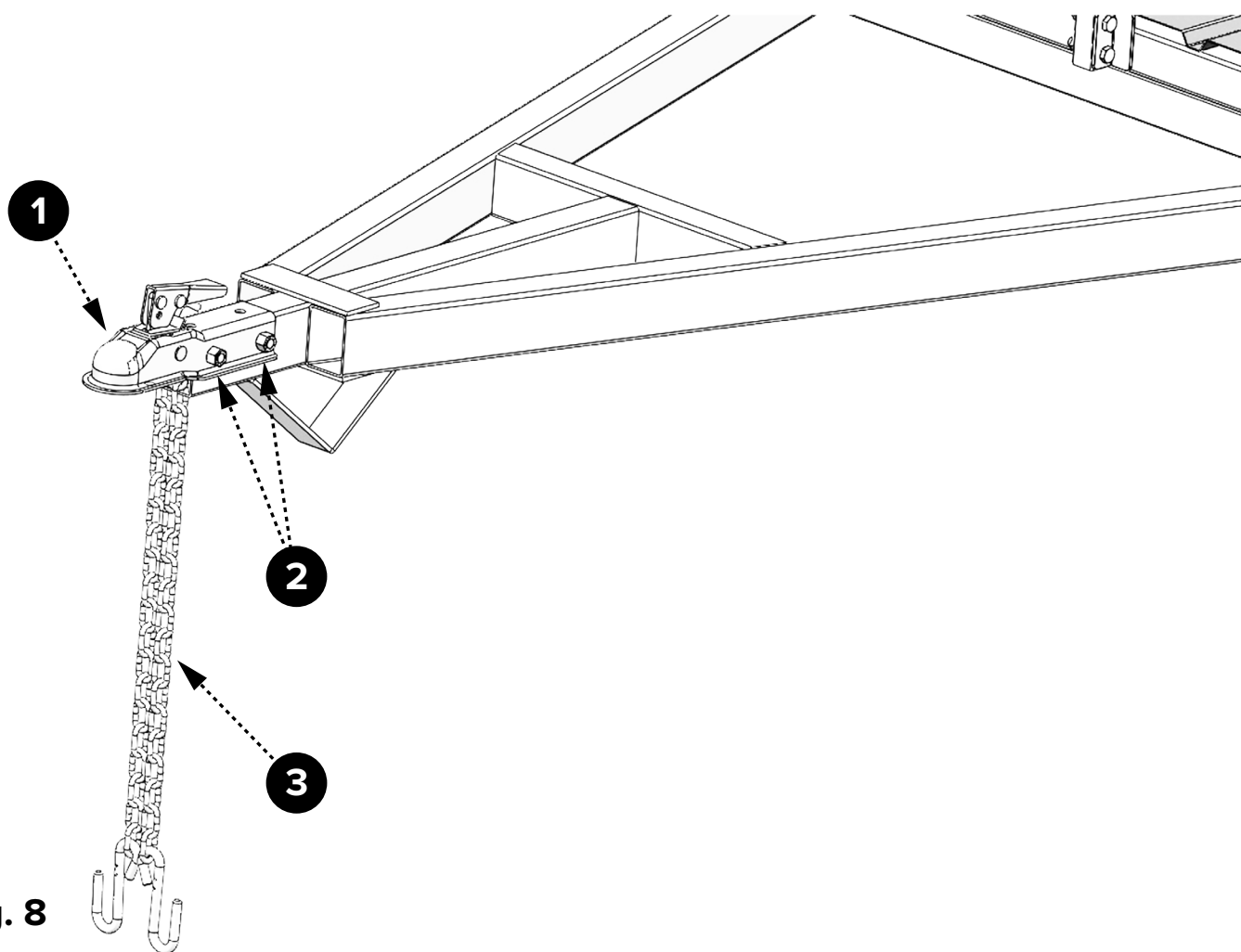


Fig. 8

ASSEMBLAGE

ÉTAPE 10

INSTALLATION DU SYSTÈME DE FEUX LUMINEUX

1. Assemblez les supports d'éclairage carrés (16, 23) au plancher de la remorque (24, 28) avec des boulons M10 x 70 (17) et écrous. Le support de plaque d'immatriculation (15) doit être installé sur le support d'éclairage gauche (16) (Fig. 9-1).
2. Installez les lumières (19, 22) et terminez le câblage.
3. Montez le feu de positionnement (5) sur le cadre à l'aide des vis autotaraudeuses (Fig. 9-2).
4. Branchez le connecteur d'éclairage dans le faisceau de câbles.

REMARQUE: le feu du côté conducteur est celui avec les lentilles transparentes en bas, la plaque d'immatriculation le support doit également être installé du côté du conducteur. Fixez tout le câblage nécessaire et fixez lumières sur le côté de la remorque.

N°.	Description	Qté.
16	Support d'éclairage latéral gauche	1
23	Support d'éclairage latéral droit	1
19	Feu arrière gauche	1
22	Feu arrière droit	1
17	Boulons et écrous hexagonaux M10 x 70 (jeu)	4
5	Feu de position	2
15	Support de plaque d'immatriculation	1

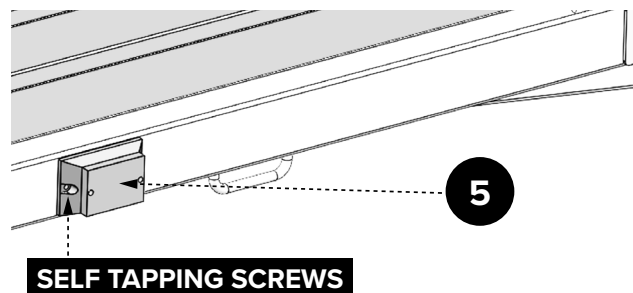
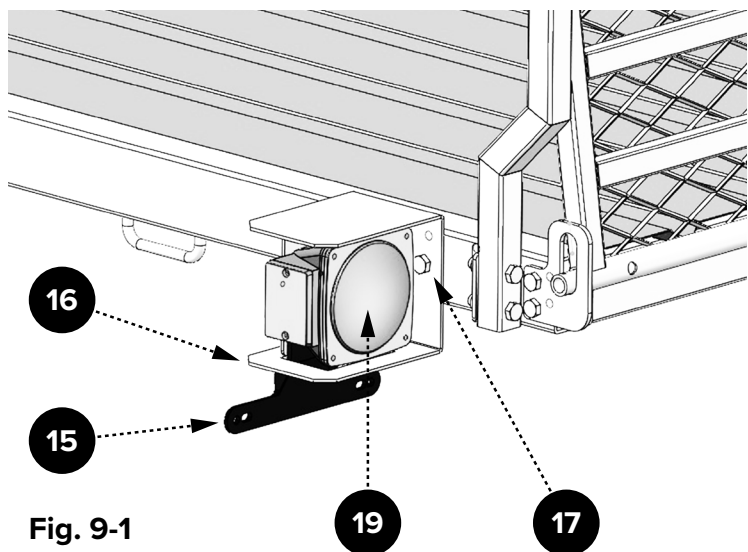


Fig. 9-2

ASSEMBLAGE

ÉTAPE 11

MONTAGE DE LA RAMPE ET CHARNIÈRE

1. Placez la rampe (20) sur le plateau de la remorque et utilisez des boulons et écrous M10 x 20 (18) pour fixer la plaque de charnière (21) et rampe à l'arrière de la plateforme de la remorque, NE PAS trop serrer jusqu'à ce que le contre-écrou saisisse et le boulon tourne librement.
2. Soulevez la rampe et verrouillez-la en position HAUT.

REMARQUE: *veuillez vérifier et serrer tous les boulons avant de finaliser l'assemblage.*

3. À ce stade, votre remorque sera entièrement assemblée. (Fig. 10)

N°.	Description	Qté.
18	boulons et écrous hexagonaux M10 x 20 (jeu)	4
20	Rampe	1
21	Plaque de charnière	2

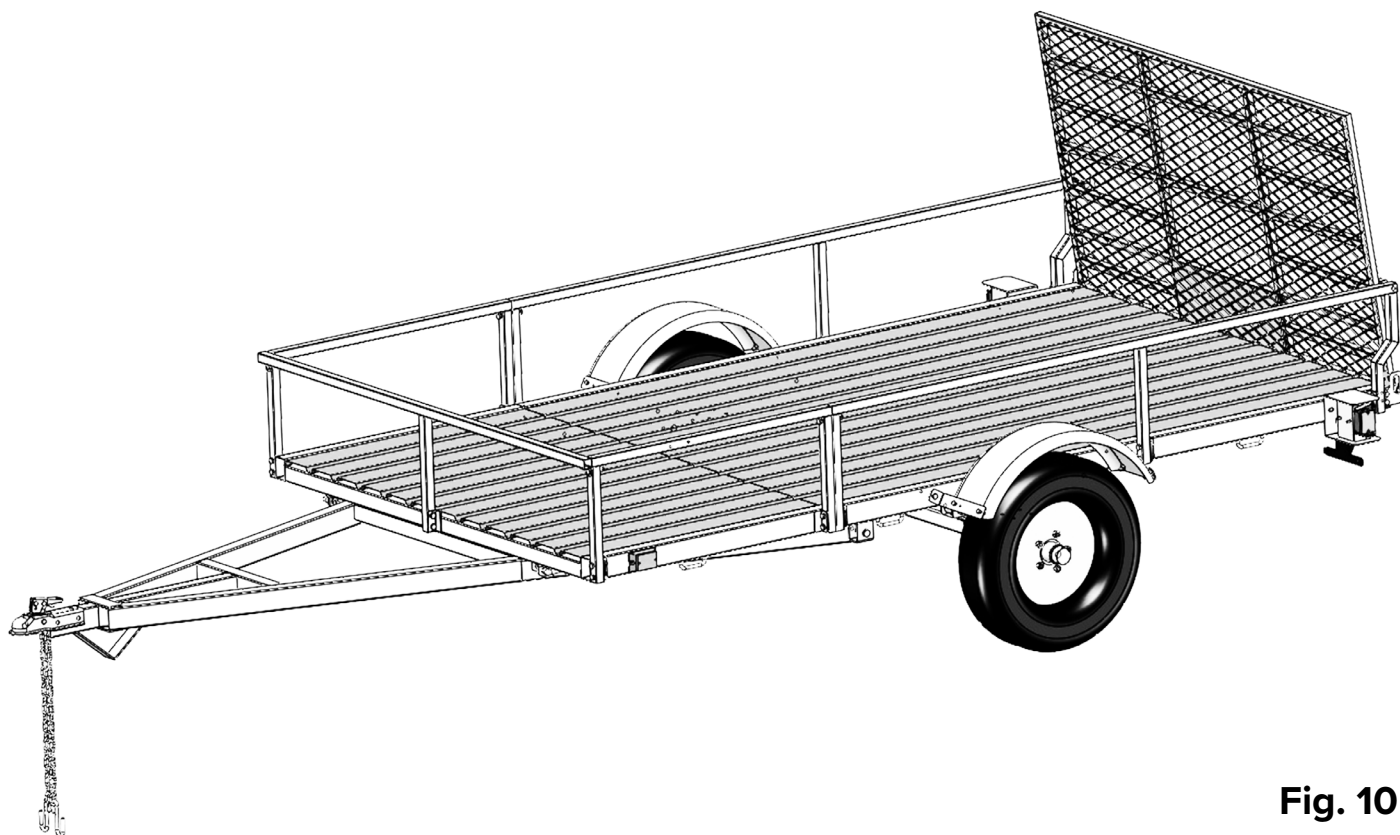
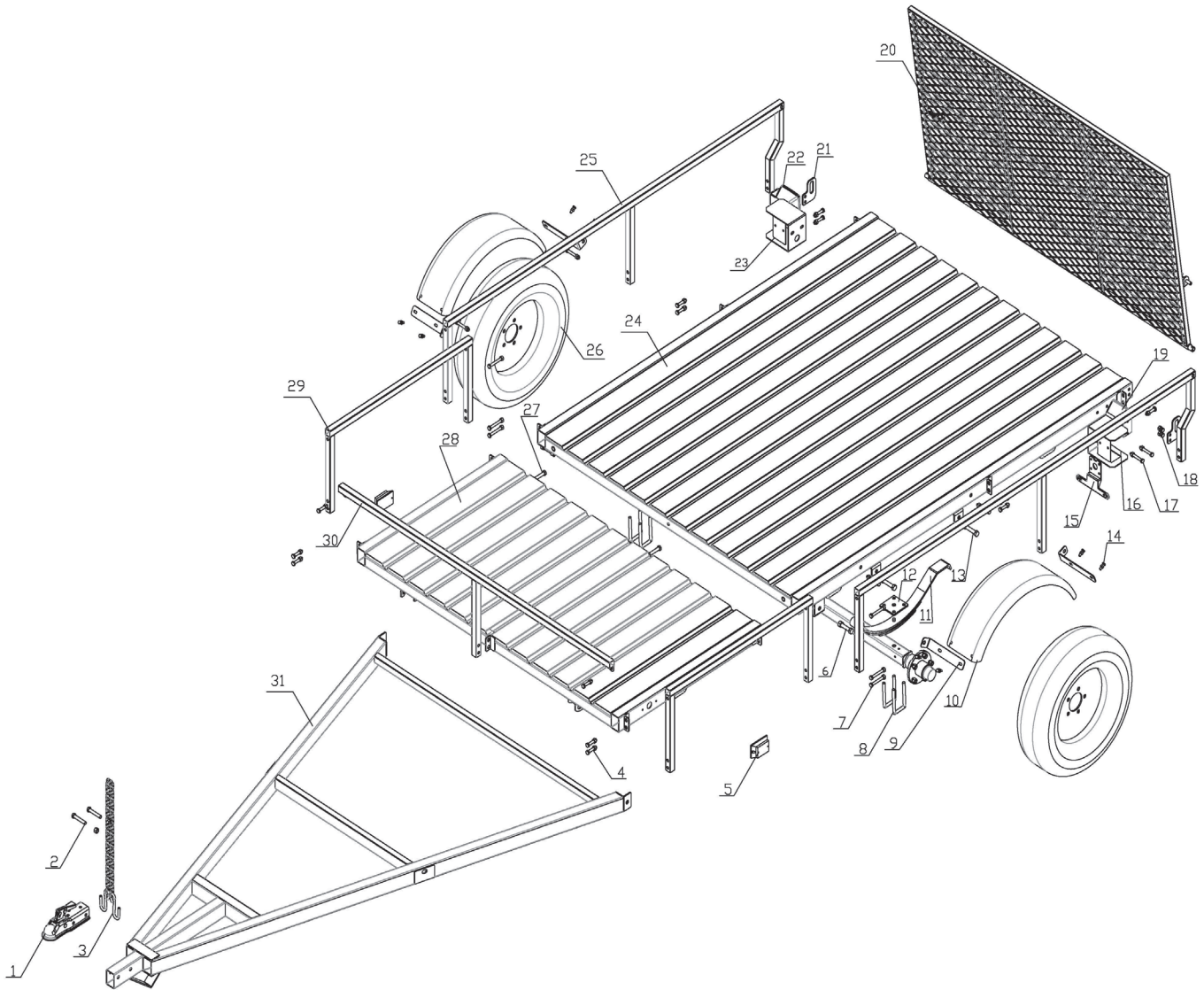


Fig. 10

DIAGRAMME SCHÉMATIQUE



LISTE DES PIÈCES

N°.	Description	Qté.
1	Coupleur 2 "	1
2	Boulons et écrous hexagonaux M12 x 70 (jeu)	2
3	Chaîne de sécurité	1
4	Boulons et écrous hexagonaux M10 x 50 (jeu)	16
5	Feu de position	2
6	Boulons et écrous hexagonaux M14 x 70 (jeu)	2
7	Boulons et écrous hexagonaux M10 x 85 [jeu]	6
8	Boulon en U	4
9	Support d'aile	4
10	Aile	2
11	Ressort à 3 lames	2
12	Plaque de ressort de lames	2
13	Boulons et écrous hexagonaux M14 x 80 [jeu]	4
14	Boulons et écrous hexagonaux M8 x 25 [jeu]	8
15	Support de plaque d'immatriculation	1

N°.	Description	Qté.
16	Support d'éclairage coté gauche	1
17	Boulons et écrous hexagonaux M10 x 70 [jeu]	8
18	Boulons et écrous hexagonaux M10 x 20 [jeu]	4
19	Feu arrière gauche	1
20	Rampe	1
21	Plaque de charnière	2
22	Feu arrière droit	1
23	Support d'éclairage coté droit	1
24	Plancher arrière	1
25	Rail latéral arrière	2
26	Roue	2
27	Boulons et écrous hexagonaux M12 x 80 [jeu]	3
28	Plancher avant	1
29	Rail latéral avant	2
30	Rail avant	1
31	Barre d'attelage	1

VÉHICULE DE REMORQUAGE

- Assurez-vous que le véhicule est capable de remorquer la charge.
- La vitesse excessive est la deuxième cause d'accidents de voiture-remorque. Vitesse conseillée La vitesse maximale pour toutes les voitures particulières qui remorquent une remorque est de 72 km/h [45 mi/h].

ATTELAGE, BOULE, COUPLEUR

- Vérifiez que l'attelage du véhicule tracteur est capable de remorquer la remorque. La capacité de l'attelage est normalement indiquée sur la barre d'attelage et la capacité de la boule est estampée sur la boule.
- Assurez-vous que le coupleur et la boule sont de la même dimension et que leur valeur nominale est égale ou supérieure à la charge.
- N'attachez jamais autre chose que l'attelage de taille appropriée à la boule pour le remorquage.

CHAÎNES DE SÉCURITÉ

- Croisez toujours les chaînes sous le coupleur et connectez les chaînes de sécurité au châssis du véhicule tracteur.
- Vérifiez que les chaînes de sécurité sont attachées au véhicule tracteur avec la même longueur de chaque côté.
- Ne laissez pas les chaînes traîner sur le sol.

CHARGEMENT

- Ne surchargez jamais la remorque. La charge maximale est de 861,8 kg [1900 livres].
- Charger la remorque uniformément d'un côté à l'autre avec 60% de la charge en avant de l'essieu. Il est important que le coupleur soit appuyé sur l'attelage, mais sans dépasser une force vers le bas de 90 livres [40,8 kg].
- Réduisez le poids dans le coffre de la voiture et les sièges arrière en fonction du poids au timon de votre remorque.
- Il est dangereux et également contraire à la loi de transporter des passagers sur ou dans une remorque.
- Verrouillez toujours le hayon en position de marche avant de remorquer la remorque.

FEUX LUMINEUX

- Vérifiez tous les feux avant chaque utilisation et tous les 160 km [100 miles]. RÉPARER OU REMPLACER TOUTES LENTILLES, AMPOULES OU RÉFLECTEURS CASSÉS.
- Vérifiez les fils pour de bonnes connexions et un possible effilochage ou une usure de l'isolation.
- Les ampoules fournies avec cette remorque sont destinées au système 12 volts.
- Les ampoules utilisées dans les feux arrière sont: Numéro -1157 -[Stop/Turn et Tail] arrêt clignotant, position.
- Les ampoules pour feux de position sont: Numéro -1895.

RÈGLES D'UTILISATION ET DE FONCTIONNEMENT SÉCURISÉES

ROUES ET PNEUS

- Vérifiez l'usure, les dommages et la bonne pression des pneus avant chaque utilisation et tous les 160 km [100 miles].
- La pression des pneus doit être maintenue à 50 PSI [350 kPa].
- Vérifiez et serrez les écrous de roue. Serrez à 85-90 lb-pi. [115,24 - 122,02 Nm] de couple.
- **Resserrer après les premiers 25, 50 et 100 miles [40, 80, 160 km] et avant chaque remorquage par la suite.**

OPÉRATION

- Sachez contrôler correctement votre combinaison véhicule-remorque sur autoroute sous toutes conditions. Il est important de se rappeler que le poids chargé de la remorque augmentera les distances de freinage et d'arrêt ces différences seront appréciables.
- Lors du remorquage d'une remorque sur de longues distances, arrêtez-vous et vérifiez l'étanchéité de toutes les connexions, du train roulant et des feux tous les 100 miles. [160 km]
- Apportez des fusées éclairantes d'urgence et un extincteur si nécessaire dans votre état ou provinces.
- Il est souhaitable de transporter des ampoules et des fusibles supplémentaires si vous remorquez la nuit.
- Vérifiez l'usure des chaînes de sécurité et des crochets et ne laissez pas les chaînes de sécurité glisser sur le sol.
- Pour éviter d'endommager les roulements, démontez et remballer le roulement de roue avec une bonne graisse pour roulements tous les 2000-3000 miles [3200-4800 km] ou annuellement.
- Si vous ne savez pas comment remballer les roulements de roue, confiez votre remorque à un technicien qualifié.

IMPORTANT: *le but des avis suivants est de vous donner des conseils pour une utilisation en toute sécurité et fonctionnement de votre remorque utilitaire.*

1. **VEUILLEZ LIRE** attentivement les instructions et les suivre étape par étape pour un assemblage facile. S'il vous plaît, gardez cette instruction.
 2. **VEUILLEZ VÉRIFIER L'ASSEMBLAGE** étape par étape pour vous assurer que chacune est suivie.
 3. **AVANT L'UTILISATION, VEUILLEZ INSPECTER** votre remorque.
 4. **NE PAS ENLEVER L'AUTOCOLLANT VIN** de la barre de remorquage.
-

REMARQUE:

- *Remettre de la graisse pour roulement de roue tous les 3 000 miles [4800 km] d'utilisation.*
 - *Maintenez la pression des pneus à 50 PSI [350 kPa] avec les pneus à température ambiante.*
 - *Assurez-vous de respecter les règles suivantes avant d'utiliser votre remorque.*
 1. Serrez les boulons en U
 2. Serrez les écrous de roue.
 3. Le coupleur est fixé à la boule et est correctement ajusté.
 4. Croisez et connectez les chaînes de sécurité.
 5. La charge de la remorque ne doit pas dépasser sa capacité de 1 900 lb [861,8 kg] et doit être correctement fixée.
 6. La taille de la charge de la remorque ne doit pas excéder la taille du plateau de la remorque.
-

IMMATRICULATION

AVIS D'IMMATRICULATION CANADIENNE DE REMORQUE

Certaines provinces peuvent considérer que cette remorque est spécialement construite ou est une remorque faite maison pour des fins d'enregistrement, de licence et/ou de titrage.

Lors de l'enregistrement de votre remorque, vous aurez besoin du formulaire NVIS signé, d'une facture d'achat, du reçu d'une caisse enregistreuse ou l'acte de vente indiquant l'achat et la taxe de vente au détail perçut par le vendeur.

Apportez-les à votre bureau provincial du ministère des Transports et après paiement des frais appropriés, vous recevrez un titre, une immatriculation et une plaque d'immatriculation [si nécessaire]. Certaines provinces nécessiteront une inspection de la remorque assemblée et finie avant l'enregistrement de titre/Licence.

Si vous avez besoin de renseignements supplémentaires ou de conseils sur l'octroi de licences ou de titres, veuillez consulter votre Département des véhicules à moteur.

AVIS D'IMMATRICULATION DE REMORQUE AUX ÉTATS-UNIS

Certains États peuvent considérer que la remorque est d'une construction spécialisée ou une remorque fait maison, pour des fins d'enregistrement, de licence et/ou de titrage.

Lors de l'enregistrement de votre remorque, vous aurez peut-être besoin du M.C.O. signé, d'une facture d'achat, d'une facture caisse enregistreuse le reçu ou l'acte de vente indiquant la taxe d'achat et de vente au détail ou l'utilisation de la perception de la taxe par le vendeur.

Apportez-les à votre département local des véhicules à moteur et contre paiement des frais de l'État approprié frais, vous recevrez un titre, une immatriculation et une plaque d'immatriculation [si nécessaire]. Certains états exigeront une inspection de la remorque assemblée et finie avant d'émettre un enregistrement de titre/une licence.

Si vous avez besoin d'informations ou de conseils supplémentaires sur les licences ou les titres, veuillez consulter votre État Département des véhicules à moteur.