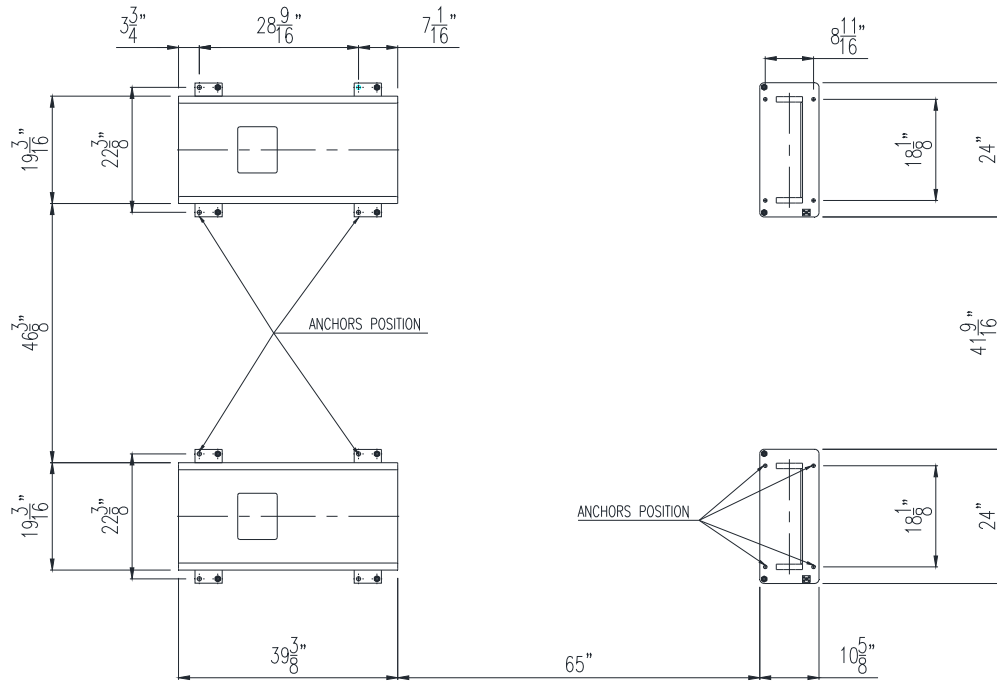
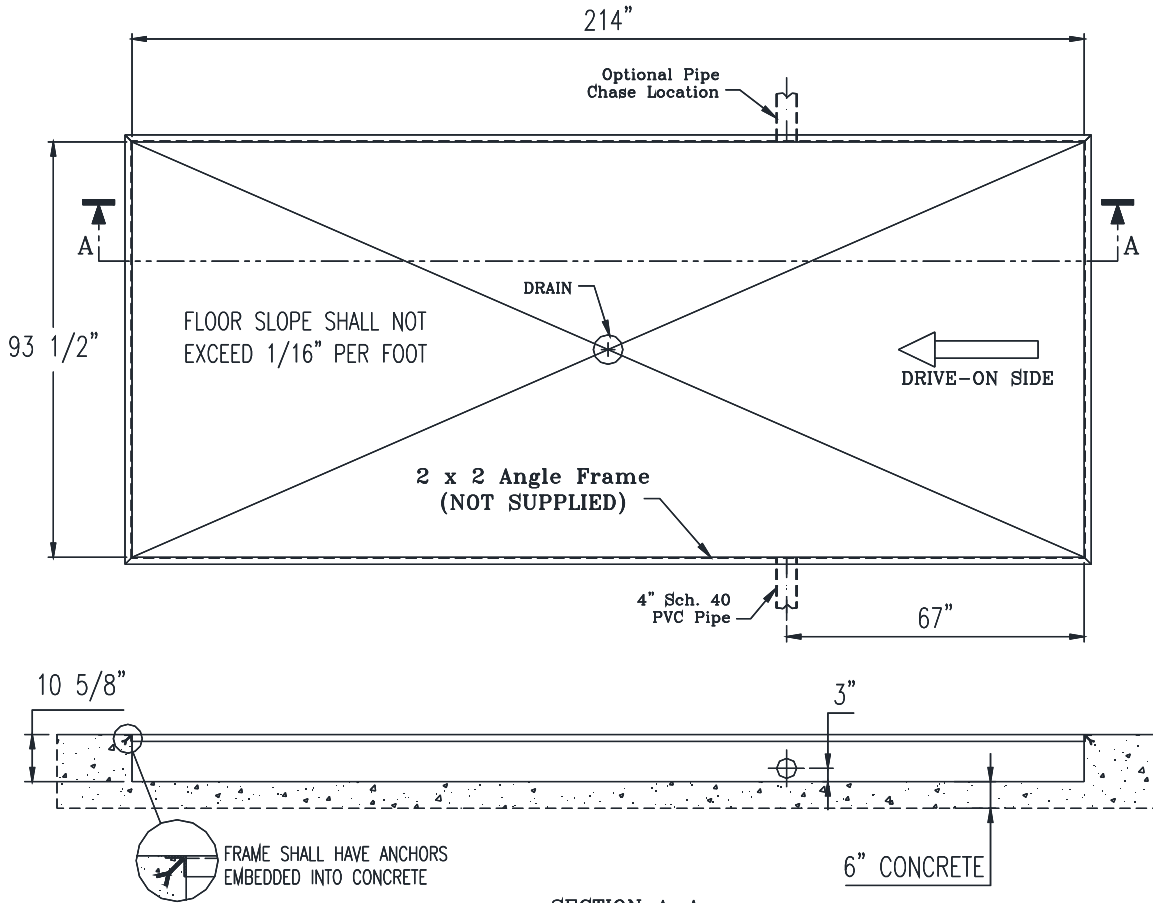


LIFT BASE LAYOUT



PIT LAYOUT



SECTION A-A