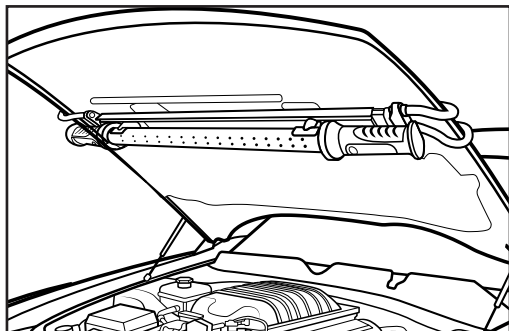


LITESTIX™

By BendPak



BendPak assumes no responsibility for damages resulting from:

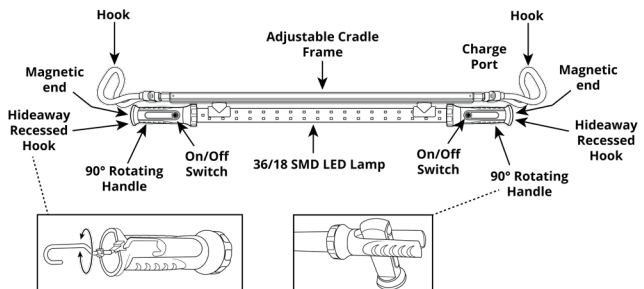
- Use of the product for purposes other than those described in this manual.
- Modifications to the equipment.
- Damage to the equipment from external influences.
- Incorrect operation of the equipment.



Watch for this symbol. It spells out hazards or unsafe practices which could result in severe personal injury or death.

LiteStix™ LS36SMD Rechargeable Work Light

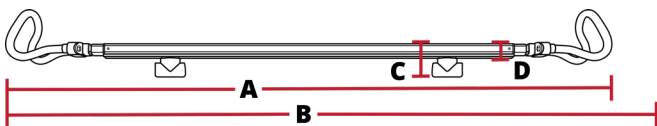
LiteStix™ LS36SMD is a versatile LED Portable Work Light designed for heavy-use.



What's Included

LS36SMD Work Light
Adjustable Cradle Frame
(1) 110VAC Charger

LS36SMD Specifications



Light Bar

Maximum Lumen	1,200
Minimum Lumen	650
Total Number of LED lights	36
Overall Length	42.25" / 1,073 mm
Overall Height	2.5" / 63 mm
Charge Time	3 hours
Battery	1,800 mAh Li-ion

Adjustable Cradle Frame

A. Overall Length	49" / 1,244 mm
B. Overall Ext. Length	79" / 2,006 mm
C. Overall Height	5.75" / 146 mm
D. Overall Depth	3.75" / 95 mm

LS36SMD Safety Information

- LS36SMD is a portable, rechargeable work light. Use it only for its intended purpose.
- **DO NOT** open or make any modifications to the product. This voids the warranty and increases the chances of injury and product failure.
- All LS36SMD users should be familiar with its use; keep the user manual with the unit so that all users can read them.
- Only authorized adults should use the LS36SMD and Charger. **DO NOT** let children operate the LS36SMD and Charger.
- Check the LS36SMD for damage before each use. If the unit or the cables are damaged, **DO NOT** use it; instead, take it to an authorized repair facility or contact BendPak directly.
- Dress properly; do not wear loose clothing or jewelry as they can be caught in moving parts.
- **DO NOT** operate the LS36SMD in explosive atmospheres, such as in the presence of flammable liquids, gases, or dust.
- Keep the LS36SMD dry; it is not meant to get wet. **DO NOT** operate the LS36SMD with wet hands.
- **DO NOT** use the LS36SMD in rain, snow, or in extremely humid conditions. If it does get wet, stop using and fully dry it. Take it to a qualified technician to check for damage.
- **DO NOT** drop or crush the LS36SMD; this is a fire hazard and can result in property damage or personal injury.
- **DO NOT** modify the Battery in any way; this includes any vibration, punctures, contact with metals, or tampering with the Battery.



Rechargeable Lithium-Ion Batteries are potentially hazardous and can present a **serious fire hazard, cause property damage, and serious injury if damaged, defective, or improperly used.**

- **NEVER** leave the Battery unattended while charging. If it becomes hot, smokes, swells, or gives an odor while charging, **STOP** charging immediately.
- In the rare event that the Battery leaks and fluid gets onto your skin or into your eyes, **DO NOT** rub your eyes. Rinse well with water and seek immediate medical attention.
- This notice is provided in accordance with California's Proposition 65. Handling the internal circuit boards of the LS36SMD may expose you to solder, a tin/lead alloy. Lead is a chemical known by the state of California to cause cancer, birth defects, and other reproductive harm. Wash hands thoroughly after handling.
- Damaged lithium-ion batteries can expose you to chemicals including cobalt lithium nickel oxide, and nickel, which are known to the state of California to cause cancer and birth defects or other reproductive harm.
- **NEVER** charge below 40°F (4°C). Charging must be performed at a temperature between 40°F and 110°F (4°C and 43°C).
- An extension cord should not be used unless absolutely necessary; using an improper extension cord could result in a risk of fire and electric shock. If an extension cord must be used, make sure the extension cord plug has the same number, wire gauge, and shape as those of the Power Cord on the Charger.

PLEASE READ THIS ENTIRE MANUAL PRIOR TO USE.



Failure to follow the instructions and safety precautions in this manual can result in serious injury or death. Make sure all other operators also read this manual. Keep the manual near the product for future reference. By proceeding with setup and operation, you agree that you fully understand the contents of this manual and assume full responsibility for product use.

Rechargeable Work Light

Manual P/N 5900302

USER MANUAL

- Recharge only with the Charger specified by BendPak.
- Keep the Charger Cord away from heat, oil, sharp edges or moving parts. Replace damaged Cords immediately.
- Verify if local voltage and frequency is as same as the input specification of the Charger.
- When handling the Charger Power Cord, **ALWAYS** pull by the Plug rather than by the Cord; this reduces the risk of damage to both the Plug and Cord, and it will also minimize the likelihood of electric shock resulting from that damage.

Unpacking


Your equipment was carefully checked before shipping. Nevertheless, you should thoroughly inspect the shipment before you sign to acknowledge you received it. If any parts are damaged or missing, contact our Technical Support on the web at bendpak.com/support, by email at support@bendpak.com, or by phone at **(800) 253-2363, ext.191**.

Charging LS36SMD

Review **ALL** safety information, requirements, recommendations and user responsibilities before operating or charging the LS36SMD.

The LS36SMD **MUST** be fully charged before the first use.

Charging time is approximately 3 hours.

 **TIP** To extend the life of the LS36SMD, fully charge it at least once a month, no matter how often you are using it.



Make sure the LS36SMD is switched off before you begin charging it.

To Charge the LS36SMD:

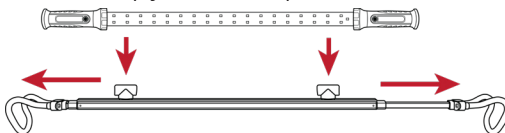
1. Locate the LS36SMD Charger and connect the Charging Lead to the Charger Port at the top of the unit.
2. Connect the Charger to the power supply; a red light indicates charging is in process.
3. Once fully charged, the red light will change to green.
4. As soon as the charge is complete, disconnect the Plug from the power source and remove the Charging Lead from the Charge Port.
5. When the charge is low, the red light indicator will light.



Setup

To setup the LS36SMD:

1. Locate the Work Light and Adjustable Cradle Frame.
2. On each end of the Adjustable Cradle Frame, extend the Hooks on either side to fit the width of the Hood.
3. Pull open the spring-loaded hooks around the Hood, and they will self-close.
4. To remove, simply reverse the procedure.



Using LS36SMD

The LS36SMD has a switch on either side of the handle; they work in tandem. The LS36SMD can be operated by either switch.



Make sure to direct the LED lights away from the eyes before switching the LS36SMD on.

To use the LS36SMD:

- One press - half power: one row of LED lights turn **ON**
- Two presses - full power: both rows of LED lights turn **ON**
- Three presses: both rows of LED lights turn **OFF**



Do not hang anything from the LS36SMD while it is hooked to the Hood or magnetically attached.

Maintenance

Keep the LS36SMD clean and check for damage **before each use**.

For battery replacement, contact BendPak Technical Support.

LED arrays are designed to allow individual LEDs to cease functioning without causing the entire array to fail. If that happens, this could be a result of shock or impact; damage caused from shock or impact are **NOT** covered by warranty.



Do not operate your LS36SMD if you find maintenance issues, take it out of service, then contact BendPak Technical Support, visit www.bendpak.com/support, email support@bendpak.com, or call **(800) 253-2363, ext. 191**.

Disposal

Rechargeable batteries should never go in the trash. **DO NOT** throw the LS36SMD into the trash. It contains a lithium-ion battery, which can be harmful to the environment.

Rechargeable batteries should be recycled according to your local government's guidelines.

Under all circumstances, **DO NOT**:

- dispose of power tools with domestic waste
- incinerate
- abandon in the environment
- dispose of Waste Electrical & Electronic equipment as unsorted municipal waste.



Instead:

1. Recycle it locally. Search for a "household hazardous waste collection facility" or a "battery recycling facility."
2. Talk to relevant local, state, or federal authorities.

Copyright. Copyright © 2021 by BendPak Inc. All rights reserved. You may make copies of this document if you agree that: you will give full attribution to BendPak Inc., you will not make changes to the content, you do not gain any rights to this content, and you will not use the copies for commercial purpose.

Trademarks. BendPak and the BendPak logo are registered trademarks of BendPak Inc. All other company, product, and service names are used for identification only. All trademarks and registered trademarks mentioned in this manual are the property of their respective owners.

Limitations. Every effort has been made to make sure complete and accurate instructions are included in this manual. BendPak reserves the right to change any information in this manual without incurring any obligation for equipment previously or subsequently sold. BendPak is not responsible for typographical errors in this manual.

Warranty. The BendPak warranty is more than a commitment to you: it is also a commitment to the value of your new product. Contact your nearest BendPak dealer or visit www.bendpak.com/support/warranty for full warranty details.

Safety. Your product was designed and manufactured with safety in mind. However, your safety also depends on proper training and thoughtful operation. Do not install, operate, or repair the unit without reading and understanding this manual; do not use the LS36SMD unless you can do so safely!