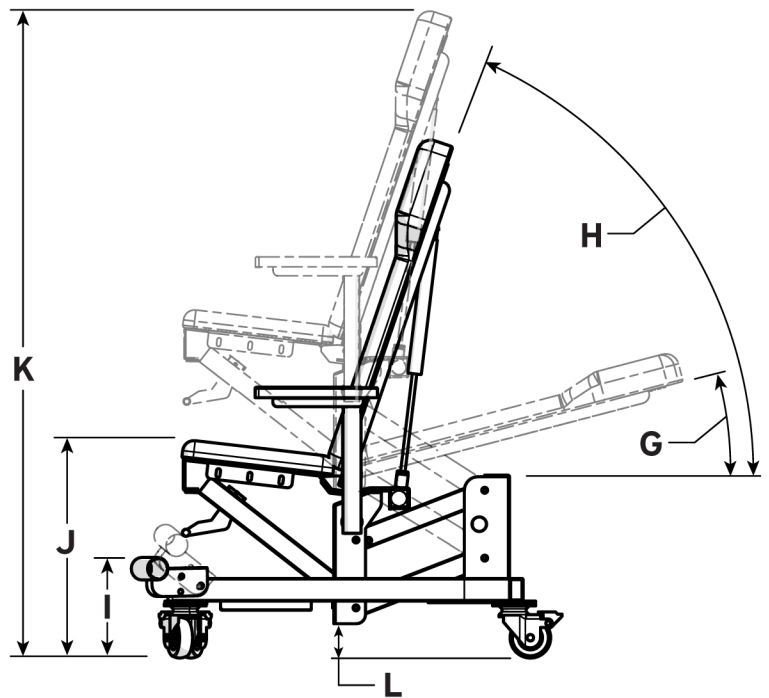
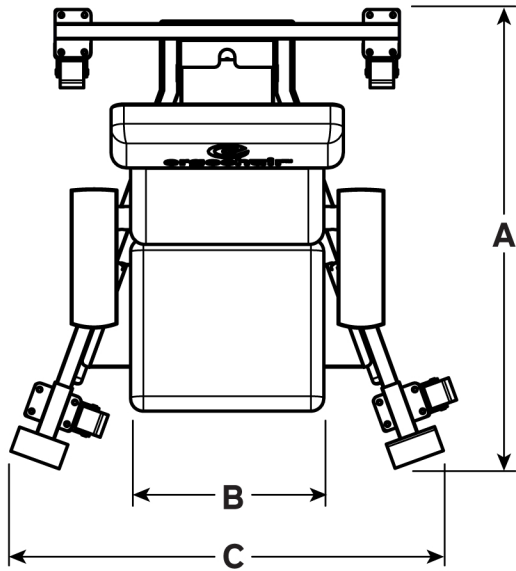


SPECIFICATIONS



Weight: 158.7 lbs. (72 kg.)

Backrest and Seat Adjustment: Gas Spring

Casters: Four 360° Casters (2 locking), Ø75 mm x 25 mm, sleeve bearings, oil resistant, non-marring rubber wheels

Seat Materials: Padded Marine Vinyl Backrest and Seat. Marine Vinyl is abrasion, chemical and oil resistant

Tool/Parts Tray: Rugged steel tray for tools and parts. 1.25 in. (32 mm) deep.

Frame Materials: Full powder coated, welded tubular steel

A Length 32.25 in. to 47 in. (894 mm to 1,194 mm)

B Seat Width 14.75 in. (376 mm)

C Width 33.5 in. (850 mm)

D Arm Rest Width 24 in. to 29 in. (610 mm to 737 mm)

E Headrest Width *17.8 in. (452 mm)

F Arm Rest Height 27 in. to 36.5 in. (686 mm to 927 mm)

G Min. Backrest Angle ≈15°

H Max. Backrest Angle *≈60°

I Foot Rest Height 8.5 in. to 11 in. (216 to 279 mm)

J Seat Height Range 18.75 to 26.75 in. (476 to 679 mm)

K Backrest Height 43.75 to 51.75 in. (1,111 mm to 1,314 mm)

L Ground Clearance 2.5 in. to 4 in. (63.5 mm to 101 mm)

