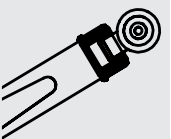
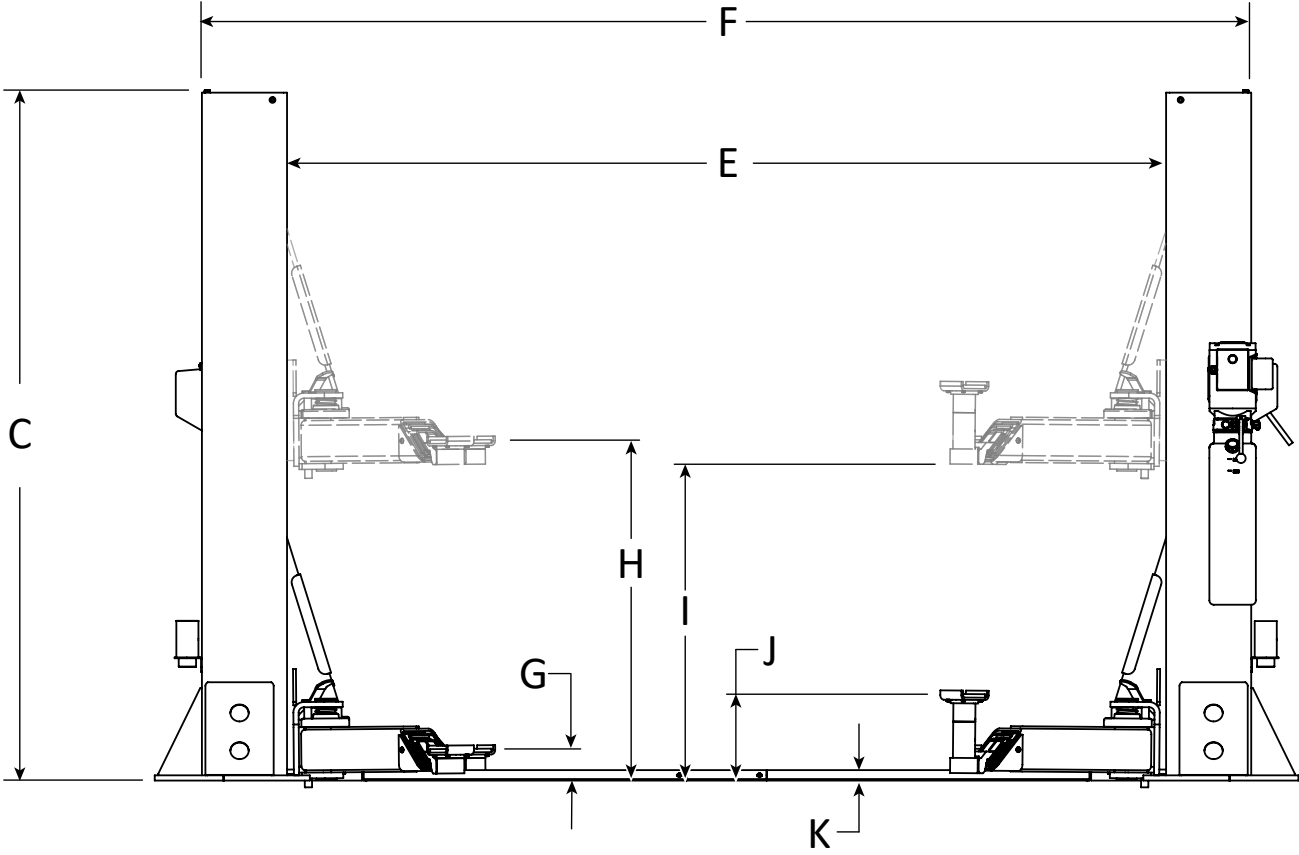
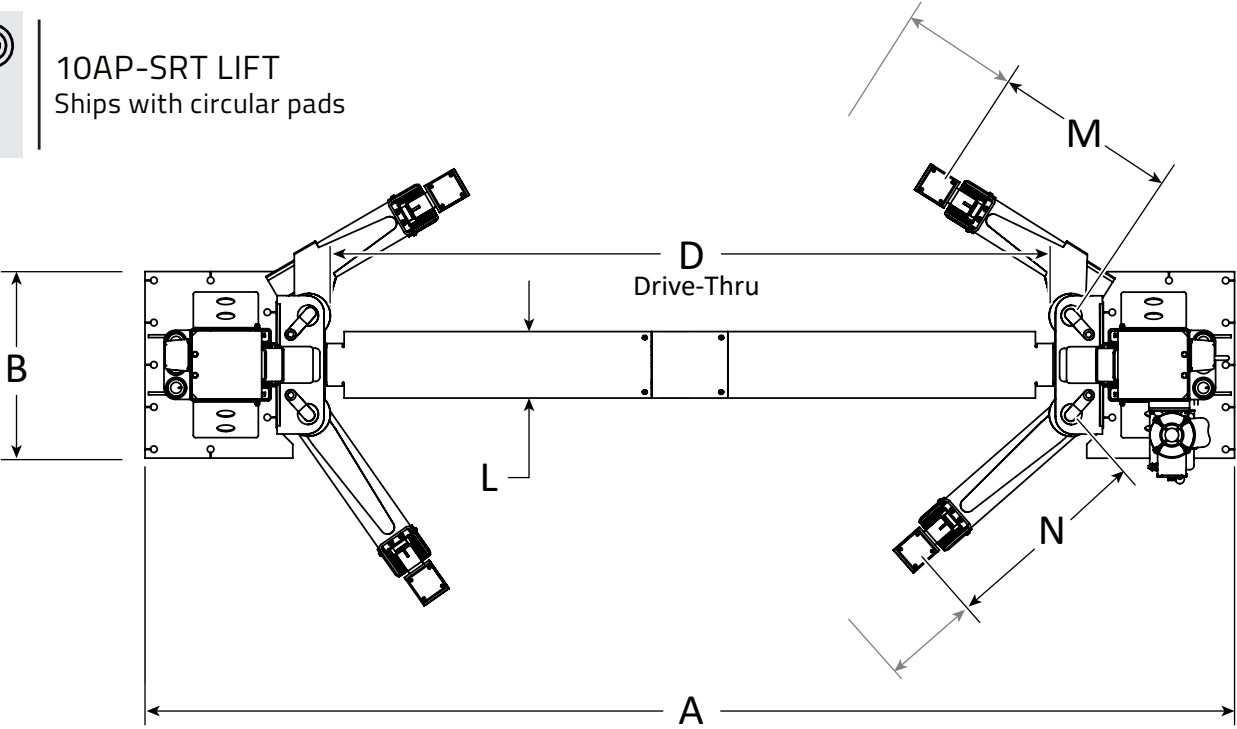


# SPECIFICATIONS



10AP-SRT LIFT  
Ships with circular pads



ADAPTABLE DESIGN: SYMMETRIC OR ASYMMETRIC

