



Atlas WBAWL

150 lb. Capacity Pneumatic Wheel Lift



Atlas Automotive Equipment
www.atlasautoequipment.com
(866) 898-2604

CONTENTS

1	GENERAL INFORMATION	3
2	PRODUCT DESCRIPTION	4
3	OPERATION AND USE N	6
4	MAINTENANCE	7
5	TROUBLESHOOTING	8
6	PARTS BREAKDOWN	9

CHAPTER 1 – GENERAL INFORMATION

This manual has been written to be used by shop technicians in charge (operator).

The operating instructions are considered to be an integral part of the machine and must remain with it for its whole useful life.

Read every section of this manual carefully before operating the lift.

The company is not liable for possible problems, damage, accidents, etc. resulting from failure to follow the instructions contained in this manual.

Only skilled technicians shall be allowed to carry out lifting, transport, assembling, installation, adjustment, calibration, settings, extraordinary maintenance, repairs, overhauling and dismantling of the lift.

THE MANUFACTURER IS NOT RESPONSIBLE FOR POSSIBLE DAMAGE TO PEOPLE OR OBJECTS IF SAID OPERATIONS ARE CARRIED OUT BY UNAUTHORIZED PERSONNEL OR THE LIFT IS IMPROPERLY USED.

Any use of the lift made by operators who are not familiar with the instructions and procedures contained herein shall be forbidden.

For a proper use of this manual, the following is recommended:

- keep the manual near the lift, in an easily accessible place.
- keep the manual in an area protected from the damp.
- use this manual properly without damaging it.
- Any use of the machine made by operators who are not familiar with the instructions and procedures contained herein shall be forbidden.

This manual is an integral part of the lift: it shall be given to the new owner if and when the lift is resold.

Operators must not be under the influence of sedatives, drugs or alcohol when operating the machine.

DECLARATION OF WARRANTY AND LIMITATION OF LIABILITY

The manufacturer has paid proper attention to the preparation of this manual. However, nothing contained herein modifies or alters, in any way, the terms and conditions of manufacturer agreement by which this lift was acquired, nor increase, in any way, manufacturer's liability to the customer.

TO THE READER

Every effort has been made to ensure that the information contained in this manual is correct, complete and up-to date. The manufacturer is not liable for any mistakes made when drawing up this manual and reserves the right to make any changes due the development of the product, at any time.

CHAPTER 2 - DESCRIPTION

2.1 DESCRIPTION (Ref. Figure 1)

This pneumatic lift is designed as an accessory of wheel balancer, suitable for lifting motor wheel having maximum weight 65 kg / 145lbs.

The operation is described in detail in chapter 4.

This chapter describes the lift's principal elements, allowing the user to be familiar with the machine. As shown in figure 1, the lift is composed of the base (1), the scissor arms (2) and the table (3), driven by means of a pneumatic cylinder (4).

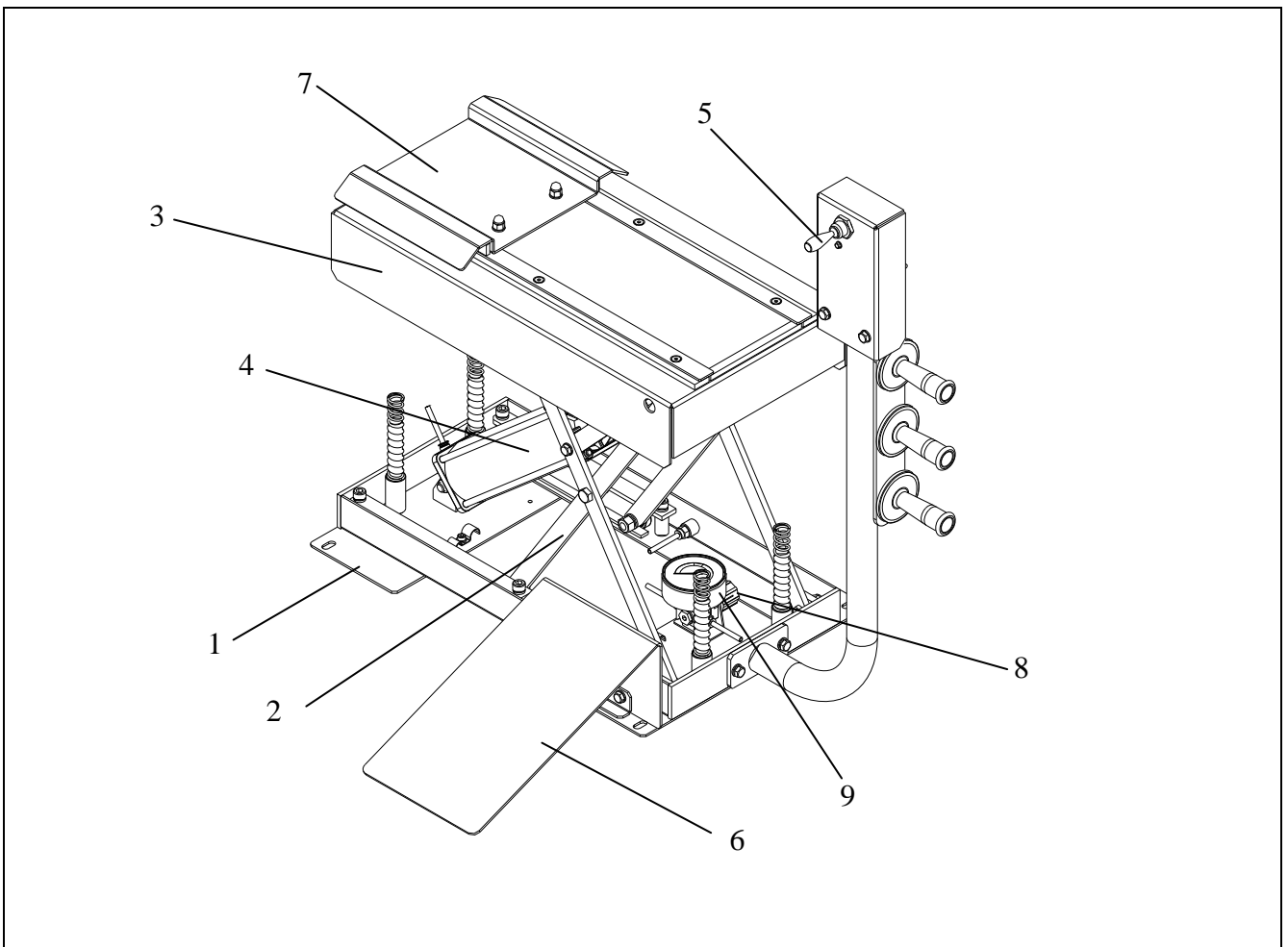
Raising/lowering motion is carried out by operation of the control valve (5) placed beside of the lift.

When the lift is lowered completely, the wheel can be rolled on the lift through the ramp (6).

The wheel can be slid towards to the wheel balancer by means of the wheel seater (7).

For safety, the lift is equipped with the air regulator (8) set at 7 bar and the air pressure can be seen in the pressure gauge (9).

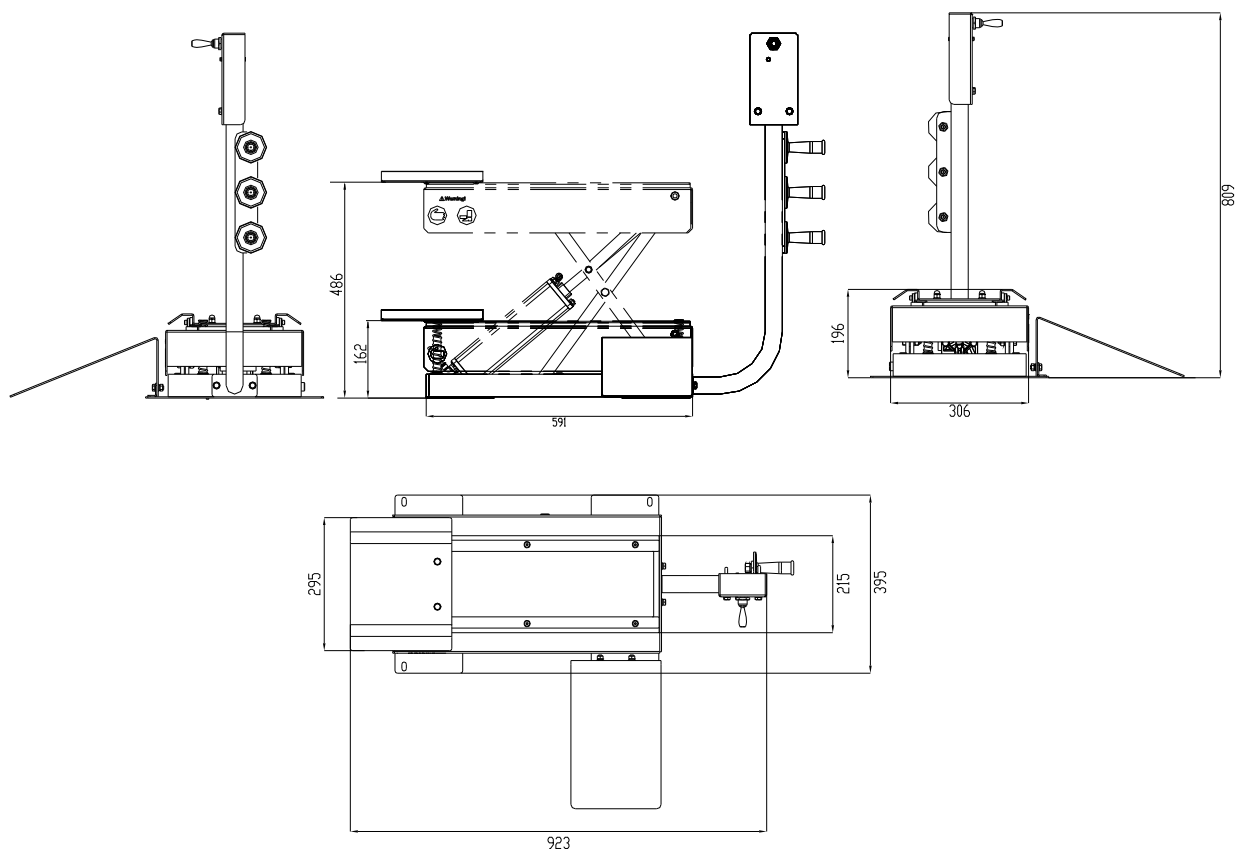
Figure 1



2.2 SPECIFICATION (Ref. Figure 2)

Lifting capacity	65 kg / 145 lbs
Max. lifting height	486 mm
Min. lowered height	162 mm
Overall height	809 mm
Required compressed air pressure	8bar – 10bar
Weight	43kg

Figure 2 - LAYOUT




CHAPTER 3 – OPERATION AND USE

3.1 PARTS ASSEMBLY

- Remove the components from the package;
- Check that the lift is in perfect condition, making sure that no parts are damaged or missing referring to the exploded drawings attached to this manual;
- Assembly the lift referring to the parts breakdown attached on this manual;
- Make sure all screws are tightened properly.

3.2 PNEUMATIC LINE CONNECTION


	<p>The pressure in the pneumatic line must be kept around 6bar – 8 bar.</p> <p>Filter/regulator is not supplied by the manufacturer if no special order.</p>
---	--

The pneumatic supply at site (to which the pneumatic system of the lift is connected) must be connected to the lubricator and the air filter.

For the connection of the pneumatic lines proceed as follow:

- Connect the pneumatic lines pre-assembled to the lubricator /the air filter
- Connect the lubricator /the air filter to the pneumatic supply at site;
- Check the pneumatic control operations for proper performance.

3.3 NEUMATIC LINE CONNECTION

	<p>Never operate the lift with any person.</p> <p>Never exceed the rate lifting capacity.</p> <p>Never try to raise the lift over the rated lifting height!</p>
---	--

To operate the lift, do as follows:

- Press the lever of control valve (5/fig.1) to lower the lift at the minimum height;
- Move the wheel through the ramp (6/fig.1) onto the lift;
- Place the wheel on the seater (7/fig.1);
- Raise the lift by lifting up the lever of control valve;
- Rest the lift at a desired height by releasing the lever;
- Slide the wheel towards to the wheel balancer;
- Place the wheel on the shaft of wheel balancer;

CHAPTER 4 - MAINTENANCE



Only trained personnel who knows how the lift works, must be allowed to service the lift.

To service properly the lift, the following has to be carried out:

- use only genuine spare parts as well as equipment suitable for the work required;
- follow the scheduled maintenance and check periods shown in the manual;
- discover the reason for possible failures such as too much noise, air blow-by, etc.

Refer to documents supplied to carry out maintenance:

- exploded views with all data necessary for spare parts ordering
- list of possible faults and relevant solutions.

4.1 ORDINARY MAINTENANCE

The lift has to be properly cleaned at least once a month. Use self-cleaning clothes.



The use of water or inflammable liquid is strictly forbidden

- Be sure the rod of the pneumatic cylinders is always clean and not damaged since this may result in leakage from seals and, as a consequence, in possible malfunctions.
- Check the sliders are greased properly.
- Check the chain is greased properly.

4.2 PERIODIC MAINTENANCE

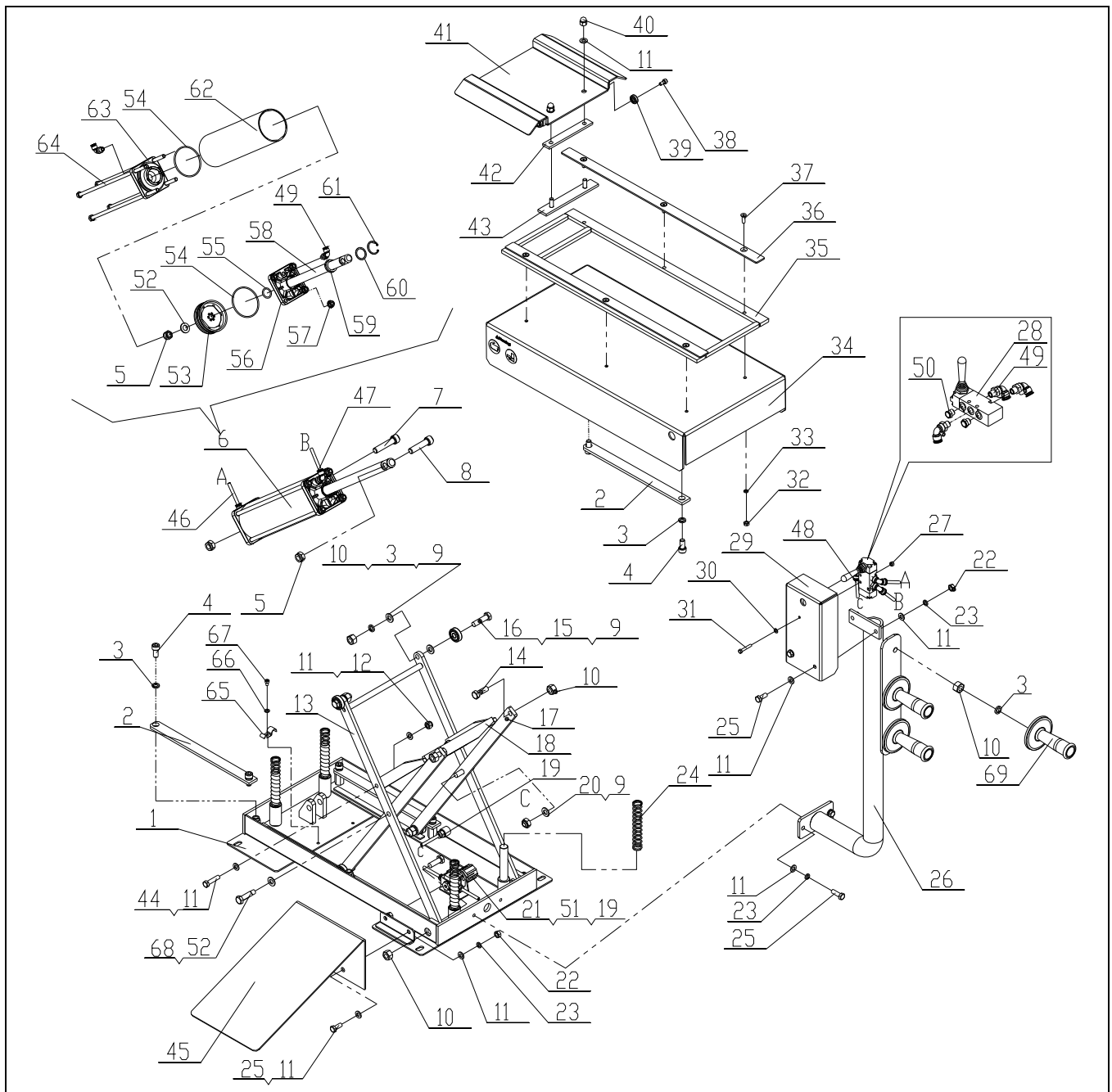
Every 3 months	Pneumatic circuit	<ul style="list-style-type: none"> ▪ check oil level in the lubricator reservoir; refill with oil, if needed; ▪ check the circuit for air leakage.
Every 6 months	Air valves	<ul style="list-style-type: none"> ▪ Check the reason for failure of valves
Every 12 months	General check	<ul style="list-style-type: none"> ▪ verify that all components and mechanisms are not damaged

CHAPTER 5 - TROUBLESHOOTING

A list of possible troubles and solutions is given below:

TROUBLE:	POSSIBLE CAUSE:	SOLUTION:
The lift does not raise	The air supply is not fed.	Feed the air supply.
	The air pressure is not sufficient.	Regulate the air pressure higher.
	The air leakage in the circuit.	Check proper connections the hoses (replace if damaged).
	The seal in the cylinder is faulty	Check and replace if necessary.
	The air valve is faulty	Check and replace if necessary.
The lifting capacity is not sufficient	The air pressure is not sufficient.	Regulate the air pressure higher.
	The air leakage in the circuit.	Check proper connections the hoses (replace if damaged).
	The seal in the cylinder is faulty	Check and replace if necessary.
The lift does not lower	The air valve is faulty	Check and replace if necessary.
The lift does not stop in standing position	The air leakage in the circuit.	Check proper connections the hoses (replace if damaged).
	The seal in the cylinder is faulty	Check and replace if necessary.

CHAPTER 6 – PARTS BREAKDOWN



Item	Part number	Description	Item	Part number	Description
1	P03A000100	Lift base	36	P03A000003	Upper guide
2	P03A000002	Anti-derailment plate	37	0207067	Screw M6X25
3	0208007	Locking washer D.10	38	0202024	Screw M6X12
4	0202056	Screw M10X16	39	0214049	Bearing 626-2Z
5	0204007	Self-locking nut M12	40	0204056	Nut M8
6	P03A001000	Air cylinder unit	41	P03A000500	Wheel seater
7	0202100	Screw M12X60	42	P03A000004	Connection plate
8	0202072	Screw M12X50	43	P03A000900	U bolt
9	0205011	Washer D.10	44	0201117	Screw M8X35
10	0203032	Nut M10	45	P03A000001	Wheel ramp
11	0205008	Washer D.8	46	0306123	Hose 6X4 L=1500 blue
12	0204004	Self-locking nut M8	47	0306122	Hose 6X4 L=1800 white
13	P03A000700	Outer scissor	48	0306095	Hose 6X4 L=1000 black
14	0201049	Screw M10X30	49	0306036	90° quick union 6-1/8

15	0214004	Bearing 6200-ZZ	50	0306087	Silencer 1/8
16	0201050	Screw M10X35	51	0306052	Pressure gauge 1/8
17	P03A000005	Inner scissor	52	0205013	Washer D.12
18	P03A000600	Cylinder support	53	YC1-4198856	Piston
19	0306043	Quick union 6-1/4	54	0606007	O-ring 75X3.55
20	0204005	Self-locking nut M10	55	0606004	O-ring 20X2.75
21	0306191	Regulator 1/4 7bar	56	YC1-3015024A	Cylinder flange
22	0203029	Nut M8	57	0204025	Flange nut M8
23	0208006	Locking washer D.8	58	P03A001002	Cylinder shaft
24	P03A000006	Spring	59	0606016	Scraper 20X30X7
25	0201042	Screw M8X20	60	YC1-4398146	Washer
26	P03A000800	Control unit support	61	0211004	Seeger D.30
27	0203002	Nut M4	62	P03A001001	Cylinder liner
28	0307030	Control valve	63	YC1-3015023A	Cylinder back flange
29	P03A000200	Casing	64	0201203	Stud M8X292
30	0205002	Washer D.4	65	2L-72	Pipe clamp
31	0201113	Screw M4X30	66	0205006	Washer D.6
32	0203004	Nut M6	67	0202037	Screw M6X8
33	0208005	Locking washer D.6	68	P03A000007	Central pin
34	P03A000300	Table	69	P1-22001	Cone holder
35	P03A000400	Guide gasket			