

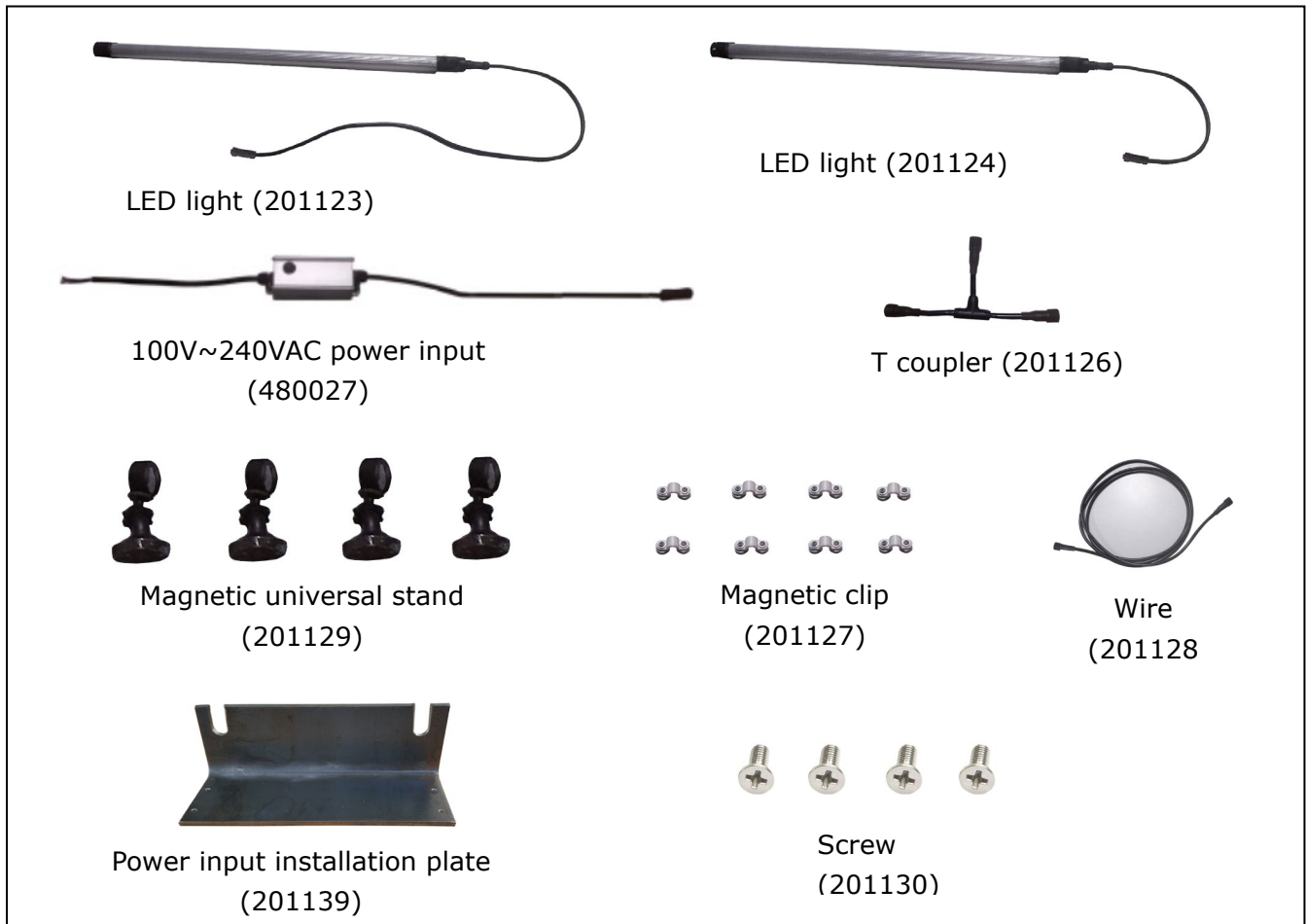
# LED Light Assembly Instruction

(for two post lifts with manual release)

## 1. Component description:

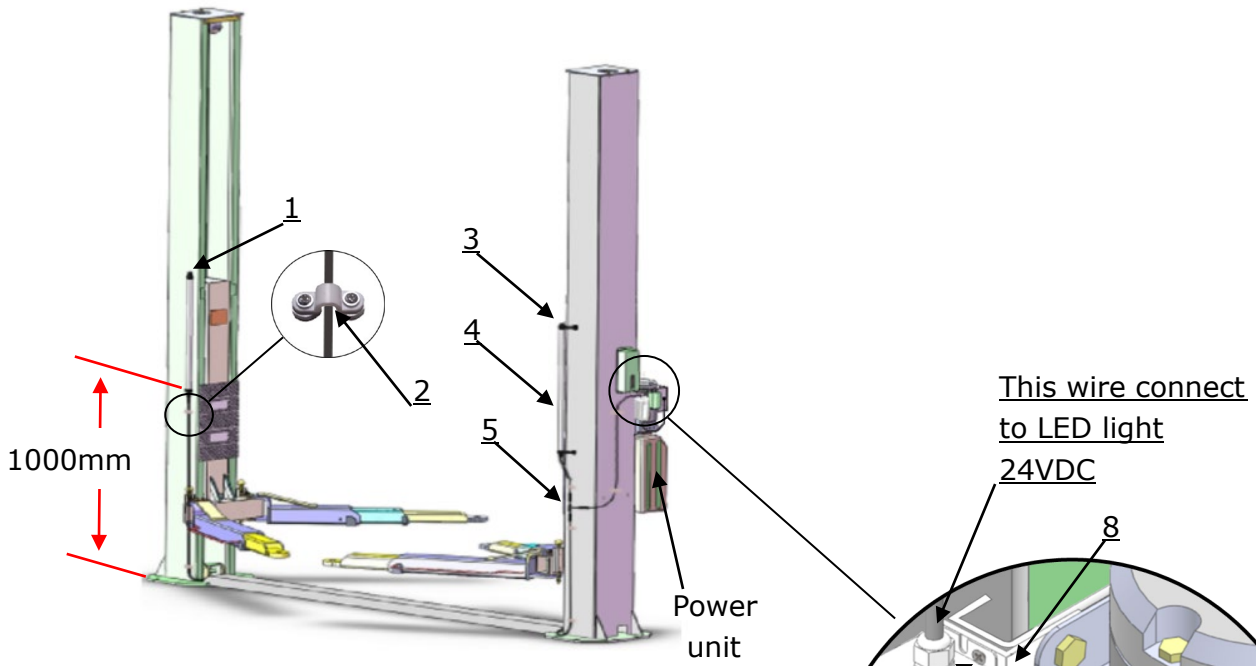
| Item | Part No. | Name                           | Specification  | QTY |
|------|----------|--------------------------------|--|-----|
| 1    | 201123   | LED lights                     | DC24V,single wire 2*0.5 <sup>2</sup> *5200mm(include adapter), colour temperature 5000K,Luminous flux 2480lm   | 1   |
| 2    | 201127   | Magnetic clip                  |  | 8   |
| 3    | 201129   | Magnetic universal stand       |  | 4   |
| 4    | 201124   | LED lights                     | DC24V, single wire 2*0.5 <sup>2</sup> *300mm (include adapter), colour temperature 5000K,Luminous flux 2480lm  | 1   |
| 5    | 201126   | T coupler                      | T coupler  | 1   |
| 6    | 480027   | 100V~240VAC power input        | Wire#1: 2*1 <sup>2</sup> *600mm (without adaptor)<br>Wire#2: 2*0.5 <sup>2</sup> *800mm (include adaptor)<br>Isolated 24V constant voltage drive, input 100V~240VAC | 1   |
| 7    | 201130   | Screw                          | M3*5   | 4   |
| 8    | 201139   | Power input installation plate |  | 1   |
| 9    | 201128   | Wire                           | 2*0.5 <sup>2</sup> *5000mm, include adapter and coupler<br><i>(Only for clear-floor type)</i>  | 1   |

## 2. Illustration of components:

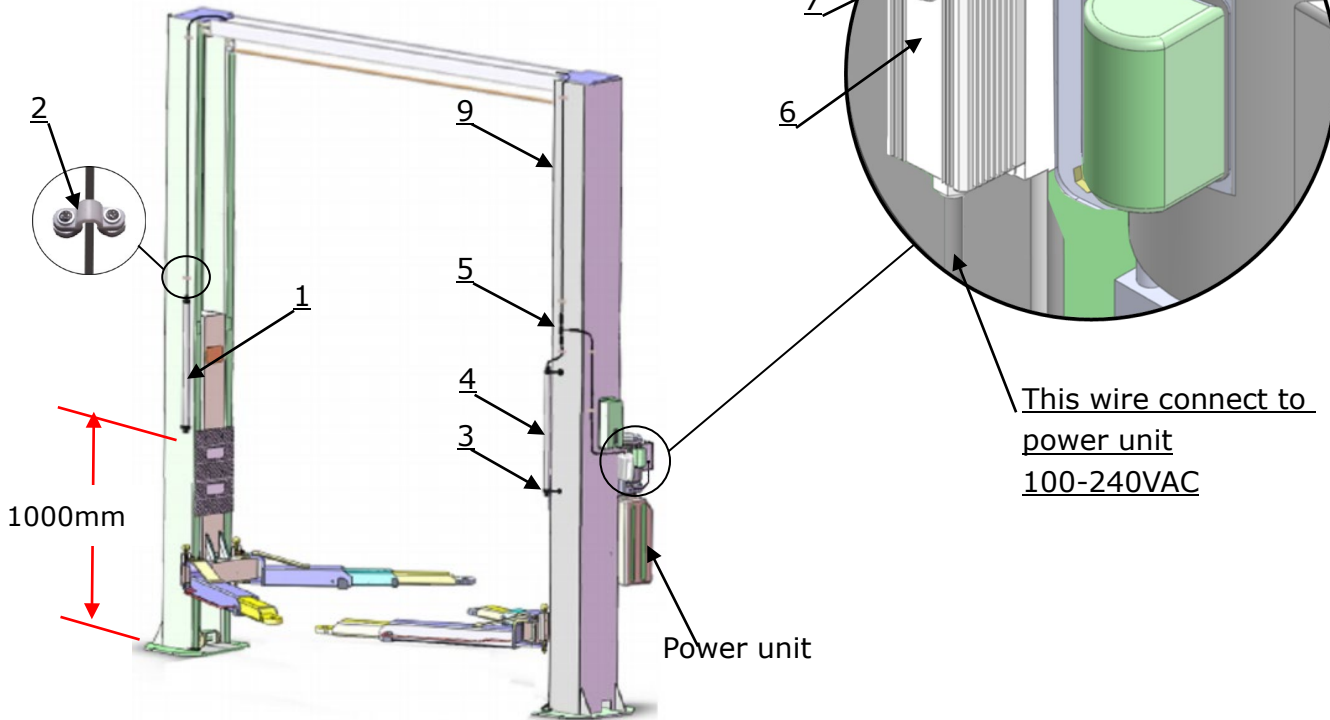


### 3. LED Light Installation Diagrams:

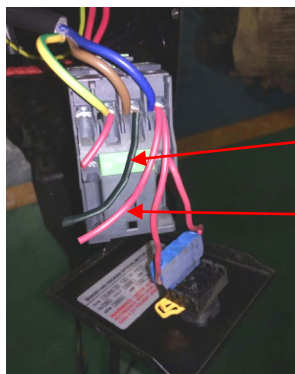
#### Manual control base-plate 2 post lift



#### Manual control clear floor 2 post lift



### 4. Wire connection diagrams for LED Light:



Black wire of LED

Red wire of LED