



Operating Instructions and Parts Manual Semi-Automatic Band Saw

Model HBS-1321W



For serial no. 1711PI00576 and higher

JET
427 New Sanford Road
LaVergne, Tennessee 37086
Ph.: 800-274-6848
www.jettools.com

Part No. M-414471
Revision H2 10/2018
Copyright © 2018 JET

1.0 Warranty and Service

JET warrants every product it sells against manufacturers' defects. If one of our tools needs service or repair, please contact Technical Service by calling 1-800-274-6846, 8AM to 5PM CST, Monday through Friday.

Warranty Period

The general warranty lasts for the time period specified in the literature included with your product or on the official JET branded website.

- JET products carry a limited warranty which varies in duration based upon the product. (See chart below)
- Accessories carry a limited warranty of one year from the date of receipt.
- Consumable items are defined as expendable parts or accessories expected to become inoperable within a reasonable amount of use and are covered by a 90 day limited warranty against manufacturer's defects.

Who is Covered

This warranty covers only the initial purchaser of the product from the date of delivery.

What is Covered

This warranty covers any defects in workmanship or materials subject to the limitations stated below. This warranty does not cover failures due directly or indirectly to misuse, abuse, negligence or accidents, normal wear-and-tear, improper repair, alterations or lack of maintenance. JET woodworking machinery is designed to be used with Wood. Use of these machines in the processing of metal, plastics, or other materials outside recommended guidelines may void the warranty. The exceptions are acrylics and other natural items that are made specifically for wood turning.

Warranty Limitations

Woodworking products with a Five Year Warranty that are used for commercial or industrial purposes default to a Two Year Warranty. Please contact Technical Service at 1-800-274-6846 for further clarification.

How to Get Technical Support

Please contact Technical Service by calling 1-800-274-6846. **Please note that you will be asked to provide proof of initial purchase when calling.** If a product requires further inspection, the Technical Service representative will explain and assist with any additional action needed. JET has Authorized Service Centers located throughout the United States. For the name of an Authorized Service Center in your area call 1-800-274-6846 or use the Service Center Locator on the JET website.

More Information

JET is constantly adding new products. For complete, up-to-date product information, check with your local distributor or visit the JET website.

How State Law Applies

This warranty gives you specific legal rights, subject to applicable state law.

Limitations on This Warranty

JET LIMITS ALL IMPLIED WARRANTIES TO THE PERIOD OF THE LIMITED WARRANTY FOR EACH PRODUCT. EXCEPT AS STATED HEREIN, ANY IMPLIED WARRANTIES OF MERCHANTABILITY AND FITNESS FOR A PARTICULAR PURPOSE ARE EXCLUDED. SOME STATES DO NOT ALLOW LIMITATIONS ON HOW LONG AN IMPLIED WARRANTY LASTS, SO THE ABOVE LIMITATION MAY NOT APPLY TO YOU.

JET SHALL IN NO EVENT BE LIABLE FOR DEATH, INJURIES TO PERSONS OR PROPERTY, OR FOR INCIDENTAL, CONTINGENT, SPECIAL, OR CONSEQUENTIAL DAMAGES ARISING FROM THE USE OF OUR PRODUCTS. SOME STATES DO NOT ALLOW THE EXCLUSION OR LIMITATION OF INCIDENTAL OR CONSEQUENTIAL DAMAGES, SO THE ABOVE LIMITATION OR EXCLUSION MAY NOT APPLY TO YOU.

JET sells through distributors only. The specifications listed in JET printed materials and on official JET website are given as general information and are not binding. JET reserves the right to effect at any time, without prior notice, those alterations to parts, fittings, and accessory equipment which they may deem necessary for any reason whatsoever. JET® branded products are not sold in Canada by JPW Industries, Inc.

Product Listing with Warranty Period

90 Days – Parts; Consumable items
1 Year – Motors; Machine Accessories
2 Year – Metalworking Machinery; Electric Hoists, Electric Hoist Accessories; Woodworking Machinery used for industrial or commercial purposes
5 Year – Woodworking Machinery
Limited Lifetime – JET Parallel clamps; VOLT Series Electric Hoists; Manual Hoists; Manual Hoist Accessories; Shop Tools; Warehouse & Dock products; Hand Tools; Air Tools

NOTE: JET is a division of JPW Industries, Inc. References in this document to JET also apply to JPW Industries, Inc., or any of its successors in interest to the JET brand.

2.0 Table of contents

Section	Page
1.0 Warranty and Service.....	2
2.0 Table of contents.....	3
3.0 IMPORTANT SAFETY INSTRUCTIONS.....	4
4.0 Specifications.....	5
5.0 Uncrating and cleanup.....	6
6.0 Installation.....	6
7.0 Assembly.....	6
8.0 Electrical connections.....	7
9.0 Controls.....	7
10.0 Prior to operation.....	7
11.0 Adjustments.....	7
11.1 Adjusting vise square to blade.....	7
11.2 Adjusting vise for miter cuts.....	8
11.3 Positioning vise.....	8
11.4 Changing blade speeds.....	8
11.5 Semi-automatic arm.....	8
11.6 Automatic shut-off.....	8
11.7 Adjusting feed rate.....	8
11.8 Changing blades.....	9
11.9 Blade guide adjustment.....	9
11.10 Blade tracking adjustment.....	10
12.0 Maintenance.....	10
12.1 Lubrication and gearbox.....	10
12.2 Hydraulic pump.....	11
12.3 Coolant pump.....	11
12.4 Replacing variable speed belt.....	11
13.0 Replacement parts.....	11
13.1.1 HBS-1321W – Bed and Base Assembly – Exploded View.....	12
13.1.2 HBS-1321W – Bed and Base Assembly – Parts List.....	13
13.2.1 HBS-1321W – Arm Assembly – Exploded View.....	16
13.2.2 HBS-1321W – Arm Assembly – Parts List.....	17
13.3.1 HBS-1321W – Gear Reducer Box Assembly – Exploded View.....	20
13.3.2 HBS-1321W – Gear Reducer Box Assembly – Parts List.....	20
14.0 Electrical Connections – HBS-1321W.....	21
14.1 Wiring Diagram Symbol Glossary.....	22



3.0 IMPORTANT SAFETY INSTRUCTIONS

1. Read and understand the entire instruction manual before attempting assembly or operation.
2. All JET band saws are designed and intended for use by properly trained and experienced personnel only. If you are not familiar with the proper and safe operation of a band saw, do not use until proper training and knowledge have been obtained.
3. Always wear approved safety glasses/face shields while using this machine.
4. Make certain the machine is properly grounded.
5. Before operating the machine, remove tie, rings, watches, other jewelry, and roll up sleeves above the elbows. Remove all loose clothing and confine long hair. Do NOT wear gloves.
6. Keep the floor around the machine clean and free of scrap material, oil and grease.
7. Keep machine guards in place at all times when the machine is in use. If removed for maintenance purposes, use extreme caution and replace the guards immediately.
8. Do NOT over reach. Maintain a balanced stance at all times so that you do not fall or lean against blades or other moving parts.
9. Make all machine adjustments or maintenance with the machine unplugged from the power source.
10. Use the right tool. Don't force a tool or attachment to do a job which it was not designed for.
11. Replace warning labels if they become obscured or removed.
12. Make certain the motor switch is in the OFF position before connecting the machine to the power supply.
13. Give your work undivided attention. Looking around, carrying on a conversation, and "horse-play" are careless acts that can result in serious injury.
14. Keep visitors a safe distance from the work area.
15. Use recommended accessories; improper accessories may be hazardous.
16. Make a habit of checking to see that keys and adjusting wrenches are removed before turning on the machine.
17. Always keep hands and fingers away from the blade when the machine is running.
18. Never hand hold the material. Always use the vise and clamp it securely.
19. Keep belt guard, blade guards, and wheel covers in place and in working order.
20. Always provide adequate support for long and heavy material.
21. Use a sharp blade and keep machine clean for best and safest performance.
22. Failure to comply with all of these warnings may cause serious injury.

⚠ WARNING: This product can expose you to chemicals including titanium dioxide which is known to the State of California to cause cancer, and lead which is known to the State of California to cause cancer and birth defects or other reproductive harm. For more information go to <http://www.p65warnings.ca.gov>.

⚠ WARNING: Some dust, fumes and gases created by power sanding, sawing, grinding, drilling, welding and other construction activities contain chemicals known to the State of California to cause cancer and birth defects or other reproductive harm. Some examples of these chemicals are:

- lead from lead based paint
- crystalline silica from bricks, cement and other masonry products
- arsenic and chromium from chemically treated lumber

Your risk of exposure varies, depending on how often you do this type of work. To reduce your exposure to these chemicals, work in a well-ventilated area and work with approved safety equipment, such as dust masks that are specifically designed to filter out microscopic particles. For more information go to <http://www.p65warnings.ca.gov/> and <http://www.p65warnings.ca.gov/wood>.

4.0 Specifications

Model Number.....	HBS-1321W
Stock Number	414471
Capacity:	
Round at 90° (in)	13" (330 mm)
Round at 45° (in)	10-1/2" (268 mm)
Rectangle at 90° (in)	10" x 21" (254x533 mm) and 13" x 19" (330x483 mm)
Rectangle at 45° (in)	11-1/2" x 10-1/2" (292x268 mm)
Throat Depth (in)	13" (330 mm)
Blade Size (in).....	1-1/4" x 0.042" x 161-1/2" (31.75x1.07x4102 mm)
Blade Wheel Diameter (in).....	18" (457 mm)
Blade Speeds (SFPM)	80-260
Floor Space Required (in).....	84" x 32-1/2" (2134x826 mm)
Bed Height (in)	32" (813 mm)
Motor	3 HP, 3 PH, 230/460V (Prewired 230V)
Coolant Motor.....	1/6 HP
Net Weight (approx.).....	1,276 lb (579 kg)

The specifications in this manual were current at time of publication, but because of our policy of continuous improvement, JET reserves the right to change specifications at any time and without prior notice, without incurring obligations.

5.0 Uncrating and cleanup

1. Read and understand the entire manual before attempting setup or operation.
2. Finish uncrating the saw and inspect for damage. If any damage has occurred, contact your local distributor.
3. Remove all bolts attaching machine to shipping base.
4. Leave packing material between vice clamps and saw head intact until band saw has been lifted to its final position.
5. Clean all rust protected surfaces with kerosene or diesel oil to remove protective coating. Do not use gasoline, paint thinner, mineral spirits, etc. These may damage painted surfaces.
6. Lubricate all slideways with a light film of Mobil DTE® Oil Heavy Medium.

6.0 Installation

For best performance, the band saw should be located on a solid and level foundation. Allow room for servicing and for moving large stock around the band saw when deciding a location for the machine.

1. Using lifting straps of adequate lifting capacity, which are isolated from the band saw's finished surfaces, lift machine and place in desired location. See Figure 1 for strap placement.
2. Install four leveling bolts with lock nuts on both sides of the base.
3. Place a level on the bed surface and check side to side and front to back.
4. Adjust leveling screws until machine is level in both directions and tighten locking nuts.

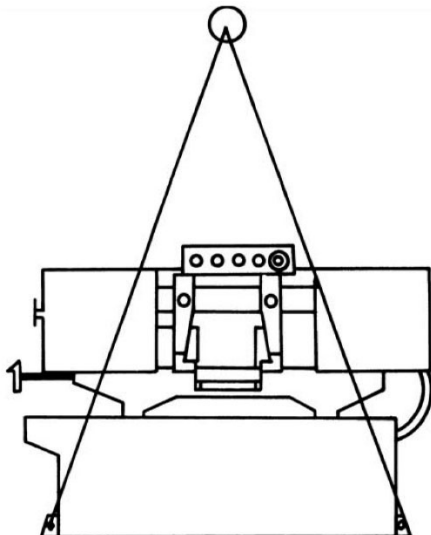


Figure 1

7.0 Assembly

1. Insert stop rod (A, Figure 2) into the base below the vise. Place stop bracket (B) onto stop rod and tighten lock knob (C). Attach the connecting plate (D) to stop bracket with hex cap bolt and washer (E), and tighten. Attach the work stop (F) to the connecting plate with lock handle (G), and tighten.

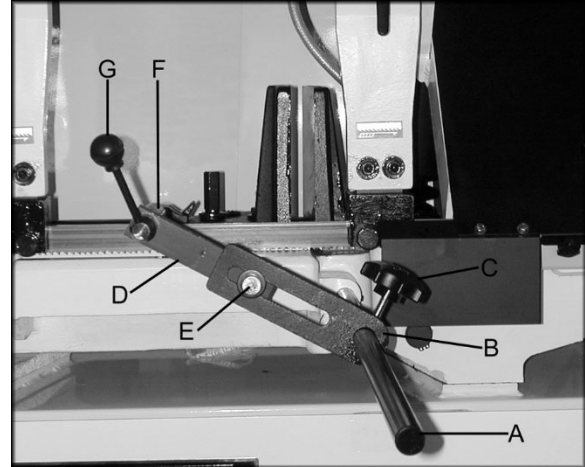


Figure 2

2. Slide the tensioning handle (A, Figure 3) onto the shaft and tighten the hex socket set screw.

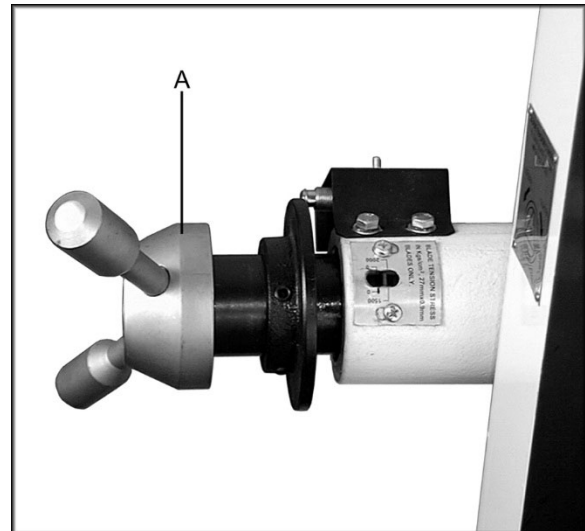


Figure 3

8.0 Electrical connections

⚠WARNING All electrical connections must be made by a qualified electrician. Failure to comply may result in serious injury.

⚠WARNING Disconnect machine from power source before changing any voltage components. Failure to comply may result in serious injury.

The HBS-1321W band saw is rated at 230/460V, 3-phase and is prewired 230 volt from the factory. Confirm power source available at the saw's location is the same as the saw is wired. To switch the HBS-1321W from 230V to 460V, the following items will have to be changed. **NOTE: Band saw must always be properly grounded.**

1. **Main Motor:** Follow diagram inside junction box cover.
2. **Coolant Pump:** Follow diagram inside junction box cover.
3. **Control Transformer:** Open electrical panel on rear of base and switch only the one 230V primary wire on transformer to the 460V position.
4. **Hydraulic Pump:** Remove access panel and follow diagram inside junction box cover.

9.0 Controls

Refer to Figure 4.

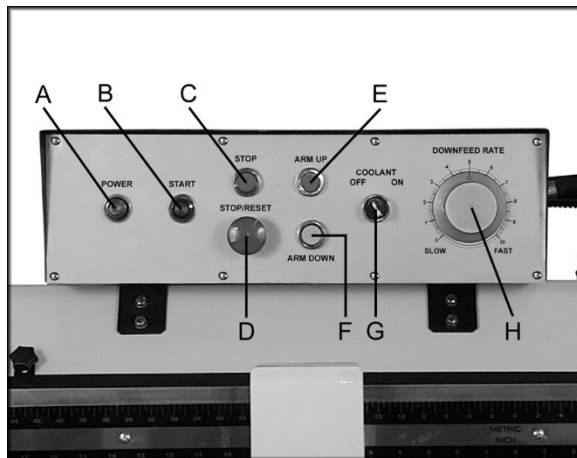


Figure 4

- A. **Power Indicator Light:** Lit whenever machine has power.
- B. **Start Button:** Depress to start band saw. Will not work if emergency button is depressed.
- C. **Stop Button:** Depress to stop band saw.
- D. **Emergency Stop Button:** Depress to immediately stop all machine functions.

- E. **Arm Up Button:** Depress to raise arm.
- F. **Arm Down Button:** Depress to lower arm.
- G. **Coolant Switch:** Turn arrow to ON starting flow of coolant. Turn arrow to OFF stopping flow of coolant. Blade must be circulating for coolant pump to work.
- H. **Downfeed Rate Knob:** Turn clockwise to increase down feed rate. Turn counter-clockwise to decrease down feed rate. See *sect. 11.7, Adjusting feed rate.*

10.0 Prior to operation

1. All JET band saws are designed and intended for use by properly trained and experienced personnel only. If you are not familiar with the proper and safe operation of a band saw, do not use until proper training and knowledge have been obtained.
2. Check that blade tooth direction matches diagram on blade guides.
3. Check to see that blade is properly seated on wheels after applying correct tension (approximately 25,000 lbs.).
4. Check blade guides for proper adjustments. See *sect. 11.9, Blade guide adjustment.*
5. Position sliding blade guide arms as close to workpiece as possible.
6. Select proper speed and feed rate for material being cut. Refer to Machinery's Handbook or similar source for speed and feed charts.
7. Material to be cut must be securely held in the vise. See *sect. 11.1 through 11.3.*
8. Check to see that coolant level is adequate and turn on coolant pump if material to be cut requires it. See *sect. 12.3, Coolant pump.*
9. Do not start cut on a sharp edge.

11.0 Adjustments

⚠WARNING With the exception of blade tracking, disconnect machine from the power source before making adjustments or changing vise position. Failure to comply may cause serious injury.

11.1 Adjusting vise square to blade (Position A, Figure 5)

1. Place a machinist's square on the bed against the blade and the vise. The square should lie along the entire length of the vise and blade without a gap.

2. If adjustment is necessary, loosen bolts (A, Figure 5) holding the vise and adjust vise so square lines up properly. Tighten bolts.
3. You may want to perform a test cut. Cut off the end of the stock. Make another cut so that you have an accurate section to measure. Measure thickness with calipers.

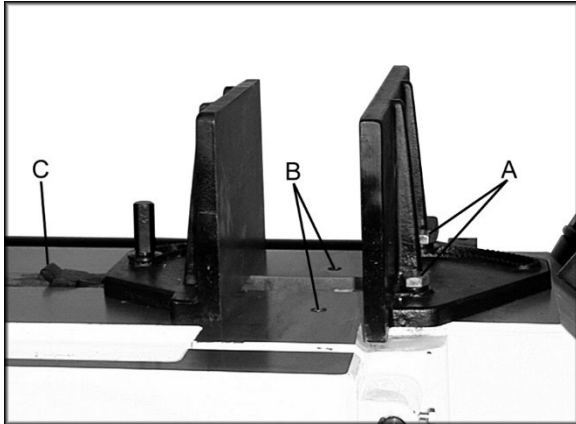


Figure 5

11.2 Adjusting vise for miter cuts

(Position B, Figure 5)

1. Move the vise into the second set of threaded holes (B, Figure 5) by removing hex cap bolts (A, Figure 5).
2. When angle has been set tighten bolts.
3. Adjust other jaw.
4. There is an angle label on the backside of the bed. This is for reference only. Check angles with a machinist's protractor.

For your own safety: only use position B for miter cuts. Vise square to the blade, in position B would expose more of the blade, right of the vise, than is necessary for the cut.

11.3 Positioning vise

To position the moveable vise:

1. Pull up on the rack block (C, Figure 5).
2. Move vise to desired location by sliding along bed.
3. Tighten vise by turning hand wheel, found at the left end of the bed, clockwise.
4. Loosen vise by turning hand wheel counter-clockwise so you can pull up on the rack block.

11.4 Changing blade speeds

Adjust the variable blade speed only while the machine is running. The dial (A, Figure 6) sticking out of the belt cover (right side) controls the variable speeds between 66 FPM to 264 FPM.

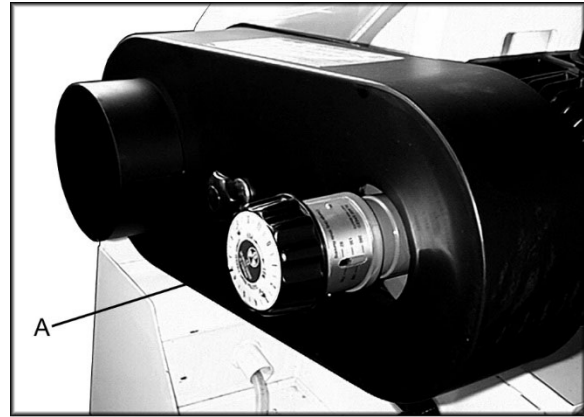


Figure 6

11.5 Semi-automatic arm

Preset the height, which the arm stops when it raises automatically. The height the arm raises depends upon the piece you want to cut. The limit switch is lowered or raised by loosening a locking handle (A, Figure 7). Tighten the locking handle when the limit switch has been properly adjusted.

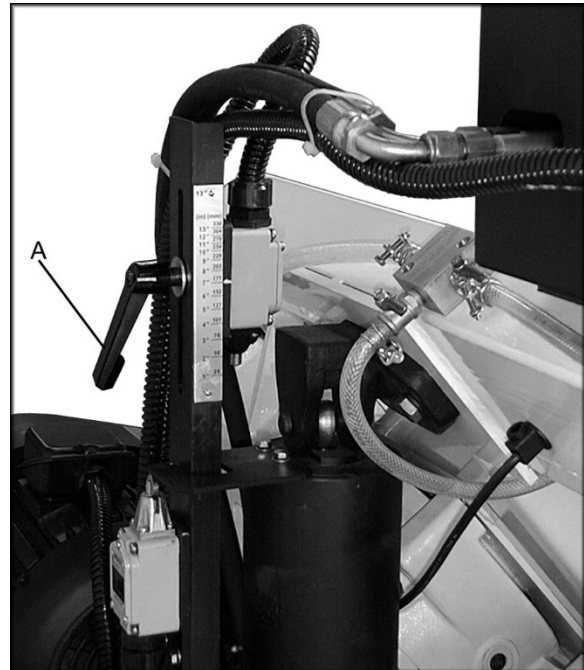


Figure 7

11.6 Automatic shut-off

The blade will stop after the material has been cut, and the arm reaches its lowest position. The arm will automatically rise to the preset height.

11.7 Adjusting feed rate

Rate of downfeed is adjusted by turning the downfeed knob on the control panel. Rate of feed is important to band saw performance; excessive pressure may break the blade or stall the saw. Insufficient pressure rapidly dulls the blade.

Material chips or shavings are the best indicator of proper speed and downfeed. The ideal chip is thin, tightly curled, and warm to the touch. Chips that range from golden brown to black indicate excessive force. Blue chips indicate extreme heat from too high a band speed, which will shorten blade life. Thin or powdered chips indicate insufficient downfeed rate.

11.8 Changing blades

⚠WARNING Disconnect machine from the power source before making any adjustments or repairs. Failure to comply may result in serious injury.

1. Raise the saw arm approximately 6".
2. Disconnect machine from power source.
3. Open both wheel covers and clean chips out of both wheel housings. Loosen lock knobs and remove upper and lower blade guards.
4. Release blade tension by turning blade tensioning handwheel (A, Figure 8) counter-clockwise until blade is free.

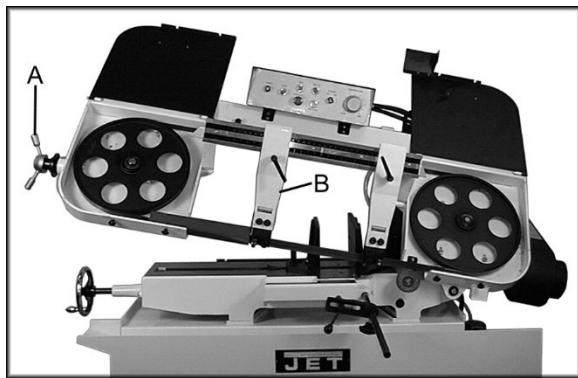


Figure 8

5. Loosen lock handle and slide left blade guide arm (B, Figure 8) to the right as far as possible.

Remove old blade from both wheels and out of each blade guide.

⚠CAUTION Even dull blades are sharp to the skin. Use extra caution handling band saw blades.

6. Install a new blade making sure teeth are pointed downward in the proper cutting direction.
7. Position blade on wheels and tighten just enough to hold blade on wheels. Make sure back of blade rests lightly against the wheel flange of both wheels. Twist blade slightly to allow it to slip into guides.
8. Tension blade to approximately 25,000 lbs. Blade tension is indicated on the tension wheel shaft housing (left side).

9. Install all guards, close covers and fasten securely. Connect machine to power and run freely for approximately two minutes.
10. Turn power off and re-check blade tension and wire brush adjustment. If further adjustment is necessary, disconnect saw from power source, make adjustments, and re-connect to power.

11.9 Blade guide adjustment

11.9.1 Bearing guides

The bearings come pre-adjusted from the factory. If adjustment is needed follow the below steps.

Refer to Figure 9.

1. Disconnect machine from power source.
2. Loosen two hex socket cap screws (A, Figure 9).
3. Move guide seat (B) up or down until an approximate clearance of .003" between blade and bearing is obtained, (C).
4. Tighten two hex socket cap screws (A).

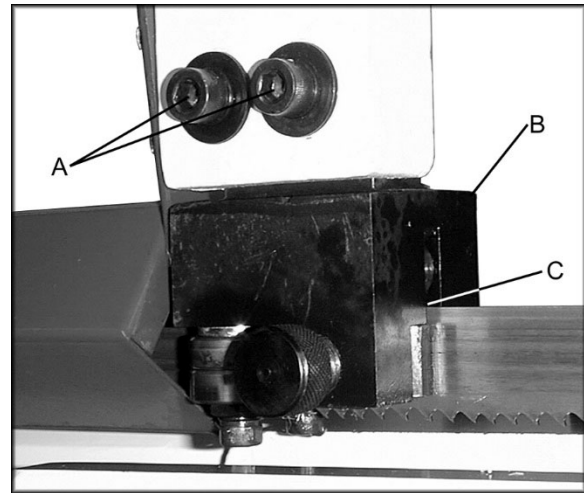


Figure 9

Refer to Figure 10:

5. Adjust the eccentric bearings (A, Figure 10) by loosening hex socket cap screw (B) about one full turn.
6. With a 19mm wrench turn hex nut (C) until the ball bearings are approximately .003" from blade. Note: Do not pinch the blade.
7. Tighten the hex socket cap screw (B) while holding the hex nut (C) in place.
8. Repeat for other blade guide assembly.
9. Connect machine to power source.

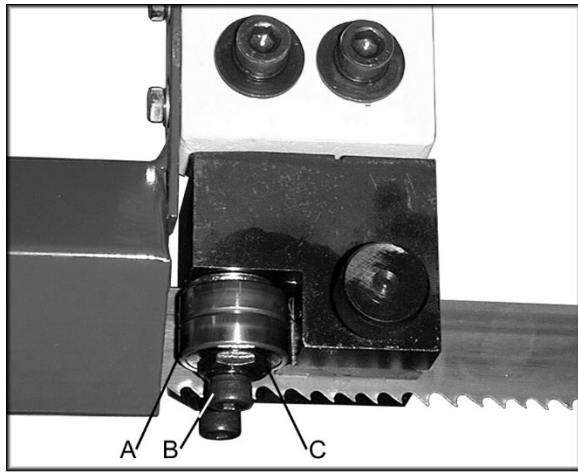


Figure 10

11.9.2 Stationary guides

The stationary blade guides come pre-adjusted from the factory. If adjustment is needed, follow the below steps.

Refer to Figure 11.

1. Disconnect machine from power source.
2. Adjust spring loaded blade guide (A, Figure 11) by loosening or tightening the guide adjustment screw (B).
3. The blade guide should place a light pressure on the blade.
4. Connect machine to the power source.

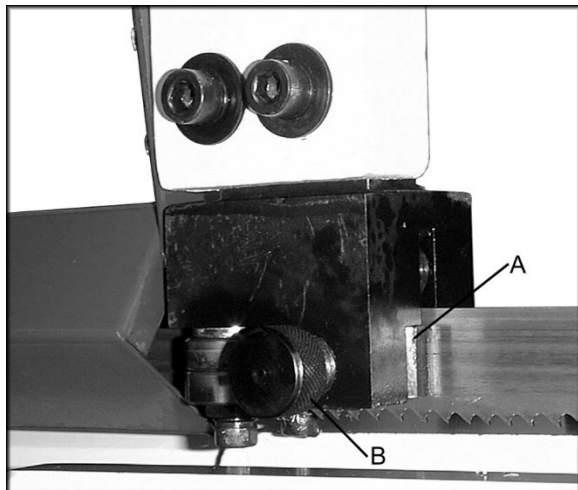


Figure 11

11.10 Blade tracking adjustment

Since tracking can only be adjusted while machine is running, it is suggested that this adjustment be accomplished by qualified personnel that are familiar with this type of adjustment and the dangers associated with it.

Blade tracking has been set at the factory and should require no adjustment. If a tracking problem occurs, adjust the machine as follows:

⚠WARNING Tracking adjustment is done with the wheel covers open to observe the blade. Use extreme caution to prevent coming into contact with the blade.

1. Raise saw arm to its highest position.
2. Locate tracking adjustment plate on the backside of the idle wheel.
3. Loosen the three bolts (A, Figure 12) located on the top of the tracking nuts.
4. Tracking adjustment is accomplished by either loosening or tightening three adjusting nuts (B, Figure 12).
5. Tracking is set properly when the back of the blade lightly touches the wheel flange. Note: over-tracking (allowing blade back to rub hard against wheel flange) will damage the blade wheels and blade.
6. Tighten locking bolts (A) once proper tracking is completed.

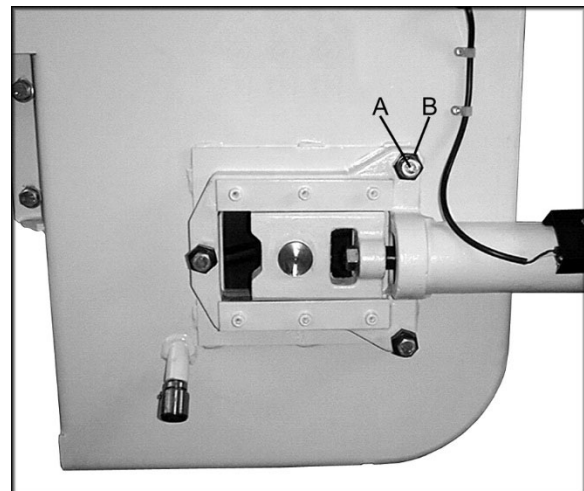


Figure 12

12.0 Maintenance

12.1 Lubrication and gearbox

All ball bearings are permanently lubricated and sealed. They require no further lubrication.

The gearbox lubricant should be changed after the first 3 months of operation. Use Mobil SHC 634, or equivalent. Change lubricant from then on every year.

To check level of gear box lubricant, place arm in down position and allow a few minutes to pass so that oil drains down. Check level in sight glass on side of gear casing. Correct level is the dot in the middle of sight glass.

To change gear box lubricant:

1. Disconnect machine from power source.
2. Remove drain plug and allow lubricant to drain completely. The drain plug is located on lower front of gear case under right wheel cover. Remove drain plug with a hex wrench.
3. Reinstall drain plug.
4. Remove filler cap and fill gearbox with Mobil SHC 634 until level reaches dot in middle of sight glass.
5. Reinstall filler cap.
6. Use Mobil DTE® Oil Heavy Medium to lubricate all other moving parts as needed.

12.2 Hydraulic pump

If you need to add hydraulic fluid to the tank remove cap (A, Figure 13). Add Mobil DTE® 24 until the black ball floats to the full position.

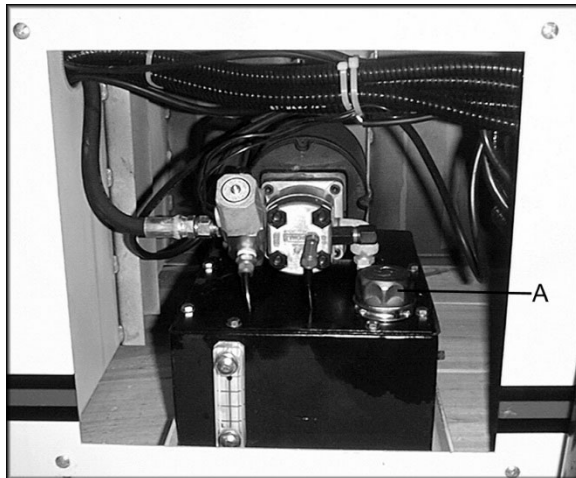


Figure 13

12.3 Coolant pump

The coolant tank should be filled with 6 gallons of a cutting coolant. Fill by pouring coolant into the chip tray. Add coolant in the same manner when coolant is low. To drain coolant, remove hex cap screw (A, Figure 14). Follow all coolant manufacturer's instructions for safety, mixing disposal, etc.

The spray nozzle (B, Figure 14) enables the user to wash chips out of the way. There are three ball valves that control the coolant distribution to the spray nozzle and each blade guide.

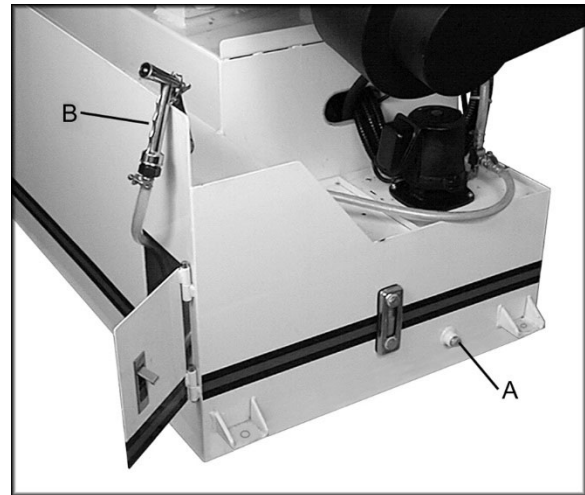


Figure 14

12.4 Replacing variable speed belt

1. Disconnect the machine from power source.
2. Take the belt cover off by removing the knob and washer.
3. Loosen tension on the belt by turning the variable speed dial (A, Figure 15) to the lowest setting. This will allow you to remove the belt (B, Figure 15).
4. When installing the new belt, turn the pulley by hand while increasing variable speed dial setting.
5. After running the machine, additional adjustment of the variable speed dial may be needed.

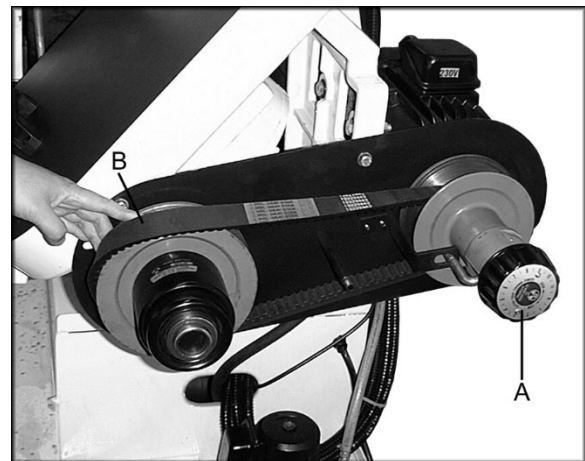
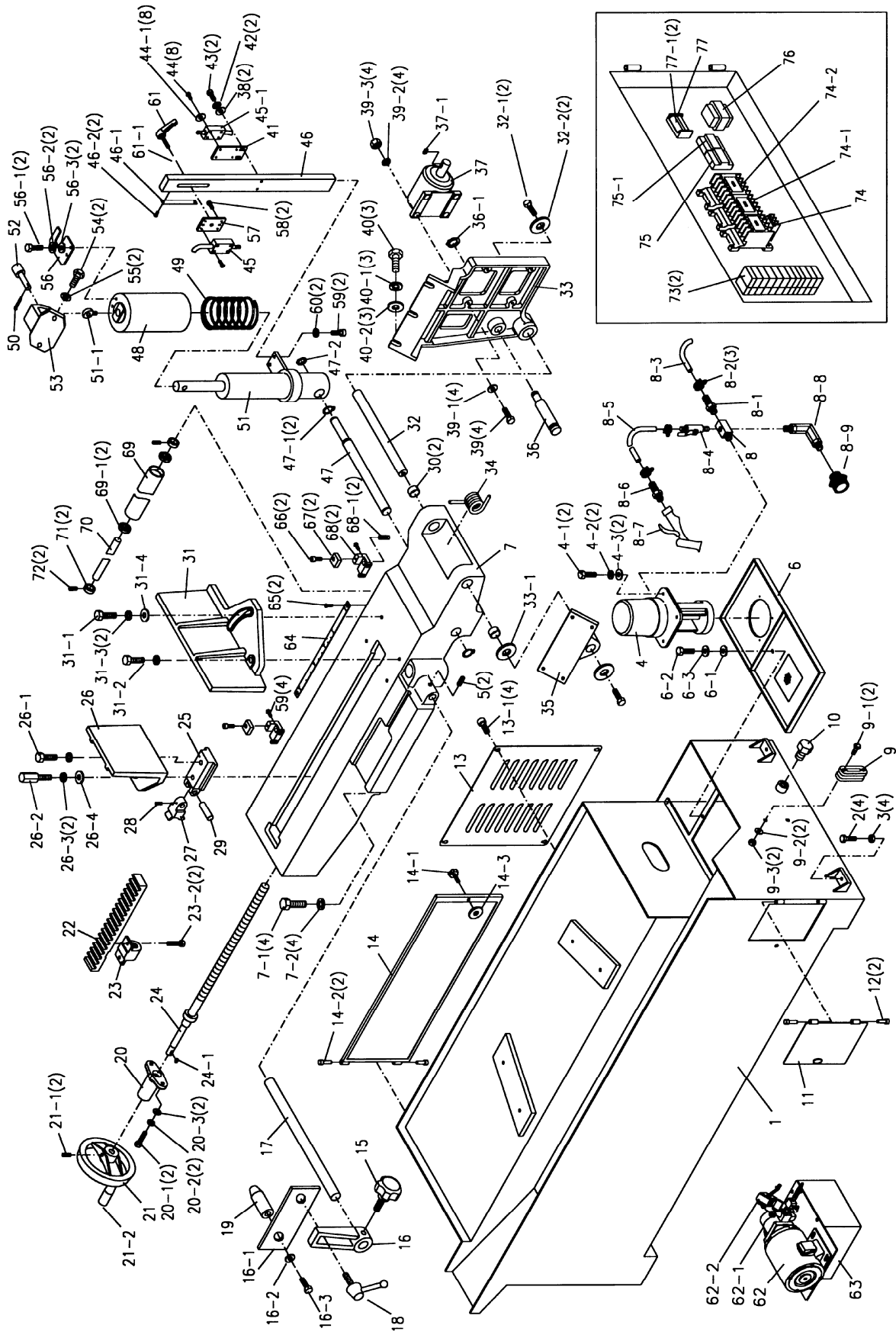


Figure 15

13.0 Replacement parts

Replacement parts are listed on the following pages. To order parts or reach our service department, call 1-800-274-6848 Monday through Friday, 8:00 a.m. to 5:00 p.m. CST. Having the Model Number and Serial Number of your machine available when you call will allow us to serve you quickly and accurately.

13.1.1 HBS-1321W – Bed and Base Assembly – Exploded View



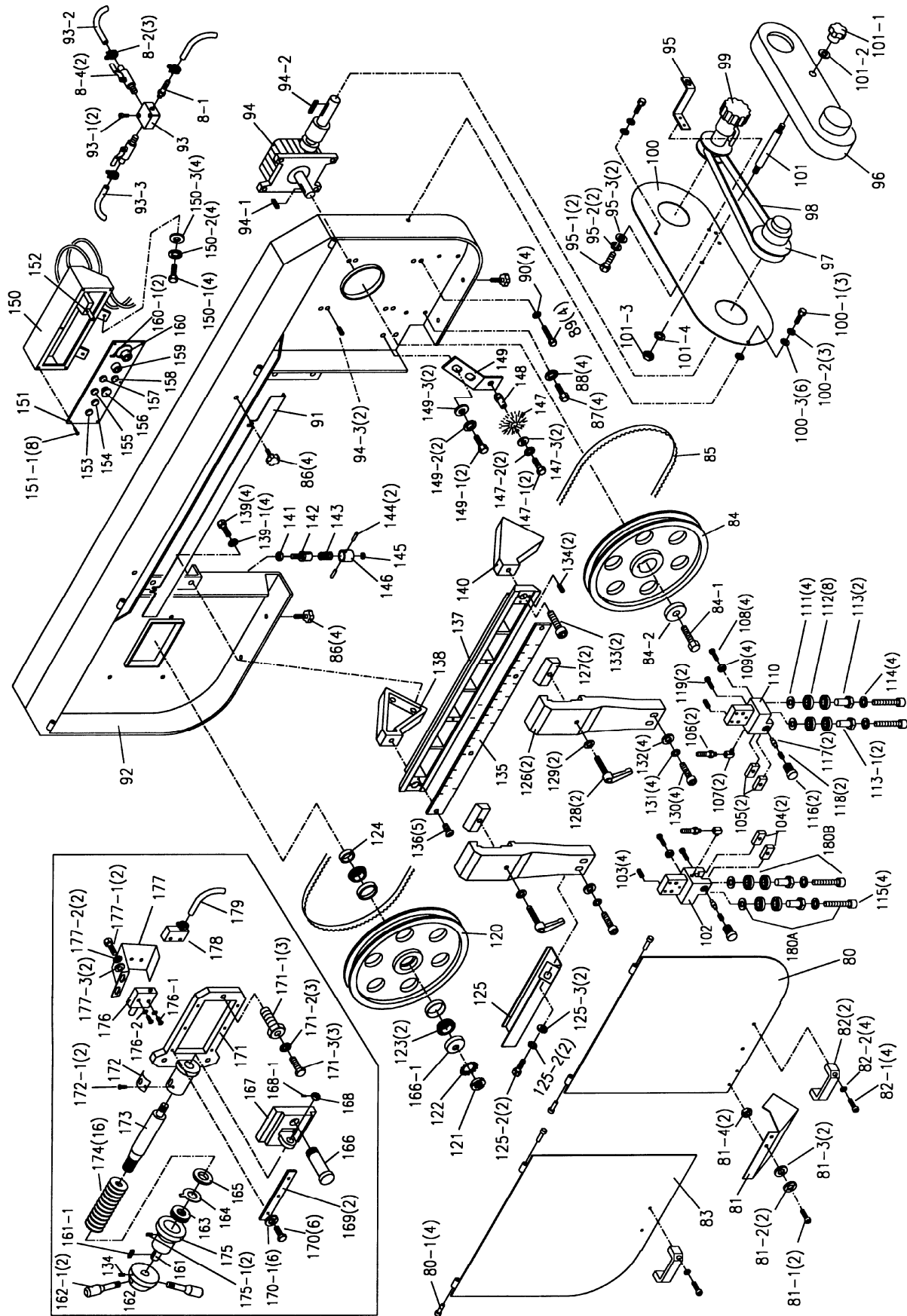
13.1.2 HBS-1321W – Bed and Base Assembly – Parts List

Index No	Part No	Description	Size	Qty
1	1321W-01G	Base		1
2	TS-1492061	Hex Cap Bolt	M12x65	4
3	TS-1540081	Hex Nut	M12	4
4	1321W-04	Coolant Pump	1/6HP	1
4-1	1321W-04-1	Cross Point Screw	M6x16	2
4-2	1321W-04-2	Spring Washer	M6	2
4-3	1321W-04-3	Flat Washer	M6	2
5	TS-1524041	Set Screw	M8x16	2
6	1321W-06G	Coolant Tank Cover		1
6-1	TS-1550041	Washer	M6	1
6-2	TS-1503031	Hex Socket Cap Screw	M6x12	1
6-3	TS-1551041	Spring Washer	M6	1
7	1321W-07G	Bed		1
7-1	1321W-07-1	Hex Cap Bolt	M12x50	4
7-2	1321W-07-2	Spring Washer	M12	4
8	1321W-08	Connector		1
8-1	1321W-08-1	Hose Fitting		2
8-2	1321W-08-2	Hose Clamp		6
8-3	1321W-08-3	Hose	3/8"x1200	1
8-4	1321W-08-4	On/Off Valve		3
8-5	1321W-08-5	Hose	3/8"x2800	1
8-6	1321W-08-6	Hose Fitting		1
8-7	1321W-08-7	Coolant Nozzle		1
8-8	1321W-08-8	Connector		1
8-9	1321W-08-9	Fitting		1
9	1321W-09	Coolant Gauge		1
9-1	TS-1491041	Pan Head Screw	M10x30	2
9-2	TS-1550071	Washer	M10	2
9-3	TS-1540071	Hex Nut	M10	2
10	1321W-10	Drain Plug		1
11	1321W-11G	Front Door w/Latch		1
12	1321W-12	Hinge Pin		2
13	1321W-13G	Panel Cover		1
13-1	1321W-13-1	Round Cross Cap Screw	M6x8	4
14	1321W-14G	Electrical Panel Plate		1
14-1	1321W-14-1	Knob		1
14-2	1321W-14-2	Hinge Pin		2
14-3	1321W-14-3	Hex Nut	M6	1
15	1321W-15	Lock Knob		1
16	1321W-16	Stop Bracket		1
16-1	1321W-16-1	Connecting Plate		1
16-2	1321W-16-2	Lock Washer		1
16-3	1321W-16-3	Hex Cap Bolt		1
17	1321W-17	Stop Rod		1
18	1321W-18	Lock Handle		1
19	1321W-19	Work Stop		1
20	1321W-20G	Lead Screw Seat		1
20-1	TS-1504061	Hex Socket Cap Screw	M8x30	2
20-2	TS-1551081	Spring Washer	M8	2
20-3	TS-1550061	Washer	M8	2
21	1321W-21	Handle Wheel Assembly		1
21-1	TS-0270031	Set Screw	5/16"x3/8"	2
21-2	1321W-21-2	Handle		1
22	1321W-22	Rack		1
23	1321W-23	Lead Screw Seat		1
23-2	TS-1504041	Hex Socket Cap Screw	M8x20	2
24	1321W-24	Lead Screw		1

Index No	Part No	Description	Size	Qty
24-1	1321W-24-1	Key		1
25	1321W-25	Slide Bracket		1
26	1321W-26	Vise Jaw - Left		1
26-1	TS-1492041	Hex Cap Bolt	M12x40	1
26-2	1321W-26-2	Locking Bolt	M12x45	1
26-3	TS-1551081	Spring Washer	M12	2
26-4	TS-1550061	Washer	M12x35x5W	1
27	1321W-27	Rack Block		1
28	TS-1523021	Set Screw	M6x8	1
29	1321W-29	Pin		1
30	1321W-30	Needle Bearing	CB3020	2
31	1321W-31	Vise Jaw - Right		1
31-1	1321W-31-1	Hex Cap Bolt	M16x50	1
31-2	1321W-31-2	Hex Cap Bolt	M16x40	1
31-3	1321W-31-3	Spring Washer	M16	2
31-4	1321W-31-4	Washer	M16x35x5W	1
32	1321W-32	Pivot Shaft		1
32-1	TS-1492001	Hex Cap Bolt	M12x20	2
32-2	TS-1550081	Washer	M12	2
33	1321W-33G	Pivot Bracket		1
33-1	1321W-33-1	Spacer		1
34	1321W-34	Spring		1
35	1321W-35G	Support Bracket Seat		1
36	1321W-36	Pivot Support Shaft		1
36-1	1321W-36-1	C-Clip	S22	1
37	1321W-37	Motor	3HP, 3Ph	1
37-1	1321W-37-1	Key	8x7x50	1
38	TS-1550041	Flat Washer	M6	2
39	1321W-39	Hex Cap Bolt	M10x55	4
39-1	TS-1550071	Flat Washer	M10	4
39-2	TS-1541071	Spring Washer	M10	4
39-3	TS-1540071	Hex Nut	M10	4
40	TS-1492051	Hex Cap Bolt	M12x50	3
40-1	TS-1551081	Spring Washer	M12	3
40-2	TS-1550081	Washer	M12	3
41	1321W-41	Switch Mounting Plate		1
42	TS-1551041	Spring Washer	M6	2
43	TS-1482021	Hex Cap Bolt	M6x12	2
44	1321W-44	Cross Point Screw	M5x35	8
44-1	1321W-44-1	Spring Washer	M5	8
45	1321W-45	Limit Switch	5101	1
45-1	1321W-45-1	Roller Limit Switch	5102	1
46	1321W-46	Adjusting Bracket		1
46-1	1321W-46-1	Scale Plate		1
46-2	1321W-46-2	Rivet		2
47	1321W-47	Cylinder Support Rod		1
47-1	1321W-47-1	C-Clip	S32	2
47-2	1321W-47-2	C-Clip	S28	1
48	1321W-48	Cylinder Cover		1
49	1321W-49	Spring		1
50	1321W-50	Retaining Pin		1
51	1321W-51	Cylinder Assembly		1
51-1	1321W-51-1	Holder		1
52	1321W-52	Cylinder Pin		1
53	1321W-53	Top Mounting Plate		1
54	TS-1492031	Hex Cap Bolt	M12x35	2
55	TS-1551081	Spring Washer	M12	2
56	1321W-56	Plate		1
56-1	TS-1482021	Hex Cap Bolt	M6x12	2

Index No	Part No	Description	Size	Qty
56-2	TS-1551041	Spring Washer	M6	2
56-3	TS-1550041	Flat Washer	M6	2
57	1321W-57	Switch Mounting Plate		1
58	TS-1503011	Hex Socket Cap Screw	M6x8	2
59	TS-1504051	Hex Socket Cap Screw	M8x25	6
60	TS-1551081	Spring Washer	M8	2
61	1321W-61	Handle		1
61-1	TS-1550071	Washer	M10	1
62	1321W-62	Hydraulic Pump Motor		1
62-1	1321W-62-1	Pump		1
62-2	1321W-62-2	Solenoid Valve		1
62-3	1321W-62-3	Hydraulic Fill Cap		1
63	1321W-HPCA	Hydraulic Pump Complete Assembly		1
64	1321W-64	Scale		1
65	1321W-65	Rivet		2
66	TS-1503031	Hex Socket Cap Screw	M6x12	2
67	1321W-67	Plate		2
68	1321W-68G	Roller Seat		2
68-1	TS-1525021	Set Screw	M10x12	2
69	1321W-69	Support Roller		2
69-1	BB6004ZZ	Ball Bearing	6004ZZ	2
70	1321W-70	Rod		1
71	1321W-71	Knob		2
72	TS-1523021	Set Screw	M6x8	2
73	1321W-73	Terminal Strip		2
74	1321W-74	Magnetic Switch (w/Overload)		1
74-1	1321W-74-1	Magnetic Switch		1
74-2	1321W-74-2	Magnetic Switch		1
75	1321W-75	Relay		1
75-1	1321W-75-1	Relay		1
76	1321W-76	Transformer		1
77	1321W-77	Fuse Case		1
77-1	1321W-77-1	Fuse (3A)		2

13.2.1 HBS-1321W – Arm Assembly – Exploded View



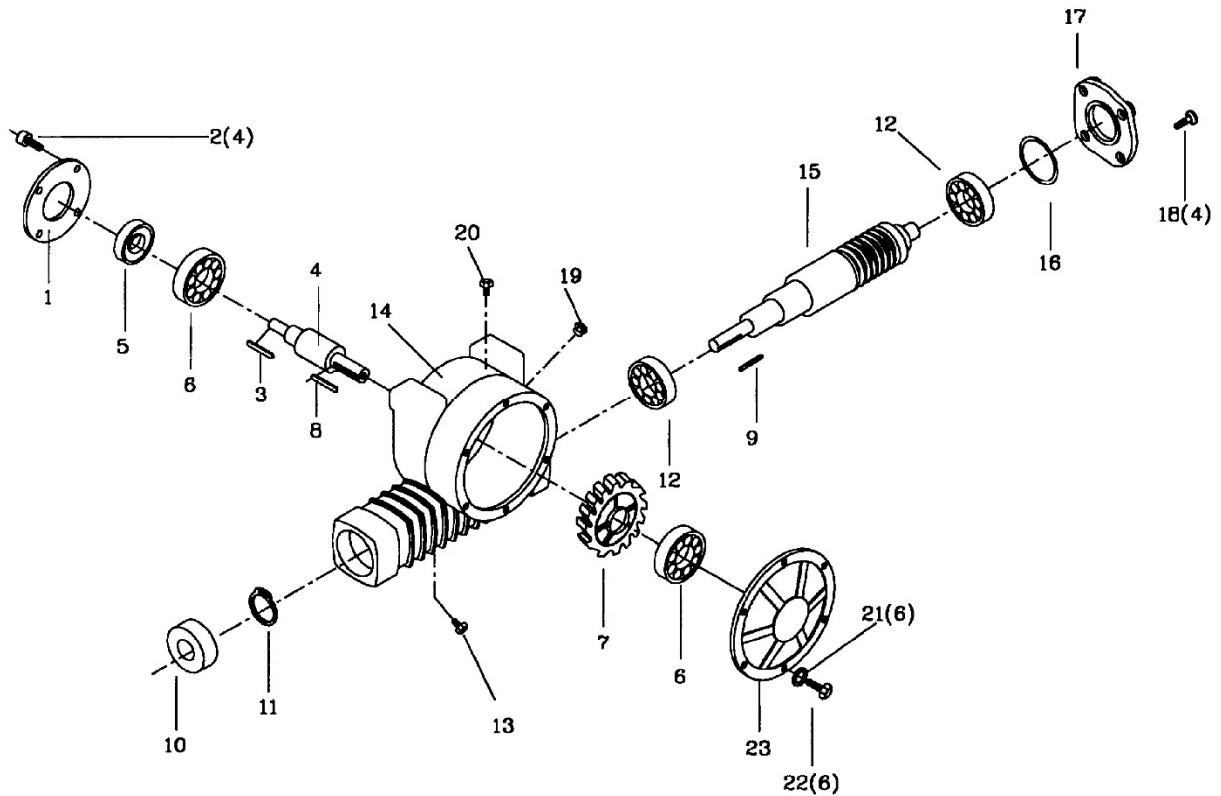
13.2.2 HBS-1321W – Arm Assembly – Parts List

Index No	Part No	Description	Size	Qty
8-1	1321W-08-1	Hose Fitting		2
8-2	1321W-08-2	Hose Clamp		6
8-4	1321W-08-4	On/Off Valve		3
80	1321W-80G	Blade Wheel Cover - R		1
80-1	1321W-80-1	Hinge Pin		4
81	1321W-81	Brush Cover		1
81-1	TS-1482021	Hex Cap Bolt	M6x12	2
81-2	TS-1551041	Spring Washer	M6	2
81-3	TS-1550041	Flat Washer	M6	2
81-4	TS-1540041	Nut	M6	2
82	1321W-82	Handle		2
82-1	1321W-82-1	Cross Point Screw	M6x16	4
82-2	1321W-82-2	Washer	M6	4
83	1321W-83G	Blade Wheel Cover - L		1
84	1321W-84	Drive Wheel		1
84-1	1321W-84-1	Hex Cap Bolt	M12x20	1
84-2	1321W-84-2	Washer	M12	1
85	1321W-85	Saw Blade	1-1/4" x .042" x 161-1/2"	1
86	1321W-86	Knob		8
87	TS-1491041	Hex Cap Bolt	M10x30	4
88	TS-1551071	Spring Washer	M10	4
89	TS-1492031	Hex Cap Bolt	M12x35	4
90	TS-1551081	Spring Washer	M12	4
91	1321W-91G	Blade Guard		1
92	1321W-92G	Blade Wheel Box Assembly		1
93	1321W-93	Connector		1
93-1	1321W-93-1	Hex Socket Cap Screw	M6x20	2
93-2	1321W-93-2	Hose		1
93-3	1321W-93-3	Hose		1
94	1321W-94G	Gear Box Assembly		1
94-1	1321W-94-1	Key	12x8x32	1
94-2	1321W-94-2	Key	7x7x40	1
94-3	TS-1525041	Set Screw	M10x12	2
95	1321W-95	Plate		1
95-1	TS-1482021	Hex Cap Bolt	M6x12	2
95-2	TS-1551041	Spring Washer	M6	2
95-3	TS-1550041	Washer	M6	2
96	1321W-96	Pulley Cover		1
97	1321W-97	Input Pulley		1
98	1321W-98	Belt	1922V443	1
99	1321W-99	Output Pulley Assembly		1
100	1321W-100	Cover Plate		1
100-1	TS-1490021	Hex Cap Bolt	M8x16	4
100-2	TS-1551081	Spring Washer	M8	3
100-3	TS-1550061	Washer	M8	6
101	1321W-101	Shaft		1
101-1	1321W-101-1	Knob		1
101-2	1321W-101-2	Washer	5/16"	1
101-3	1321W-101-3	Nut	5/16"	1
101-4	1321W-101-4	Spring Washer	5/16"	1
102	1321W-102	Guide Bracket - L		1
103	TS-1524041	Set Screw	M8x16	4
104	1321W-104	Blade Guide Assembly-L		2
105	1321W-105	Blade Guide Assembly-R		2
106	1321W-106	Connector		2
107	1321W-107	Cu Connector		2
108	TS-1490051	Hex Socket Cap Screw	M8x30	4
109	BB608Z	Ball Bearing	608Z	4
110	1321W-110	Guide Bracket - R		1
111	TS-1550061	Flat Washer	M8	4

Index No	Part No	Description	Size	Qty
112	BB6201RS	Ball Bearing	6201RS	8
113	1321W-113	Sleeve		2
113-1	1321W-113-1	Eccentric Sleeve		2
114	TS-1551081	Spring Washer	M8	4
115	TS-1490081	Hex Socket Cap Screw	M8x45	4
116	1321W-116	Adjusting Knob		2
117	1321W-117	Small Shaft		2
118	1321W-118	Spring		2
119	1321W-119	Hex Socket Cap Screw	M16x12	2
120	1321W-120	Idle Blade Wheel		1
121	1321W-121	Jam Nut		1
122	1321W-122	Star Washer		1
123	1321W-123	Taper Roller Bearing	30206	2
124	1321W-124	Spacer		1
125	1321W-125	Blade Guard		1
125-1	TS-1482021	Hex Cap Bolt	M6x12	2
125-2	TS-1551041	Spring Washer	M6	2
125-3	TS-1550041	Washer	M6	2
126	1321W-126G	Adjusting Bracket Mount		2
127	1321W-127	Lock Block		2
128	1321W-128	Handle		2
129	TS-1550071	Washer	M10	2
130	TS-1505051	Hex Socket Cap Screw	M10x40	4
131	TS-1551071	Spring Washer	M10	4
132	TS-1550071	Washer	M10	4
133	TS-1550081	Hex Socket Cap Screw	M12x25	2
134	TS-1524031	Set Screw	M8x10	5
135	1321W-135	Scale Plate		1
136	1321W-136	Cross Point Screw		4
137	1321W-137G	Slide Bracket		1
138	1321W-138G	Blade Bracket - L		1
139	TS-1492021	Hex Cap Bolt	M12x30	4
139-1	TS-1551081	Spring Washer	M12	4
140	1321W-140G	Blade Bracket - R		1
141	1321W-141	Hex Nut	M12	1
142	1321W-142	Stop Support		1
143	1321W-143	Spring		1
144	1321W-144	Pin		2
145	1321W-145	Rubber Pad		1
146	1321W-146	Stop Block		1
147	1321W-147	Brass Wire Brush		1
147-1	TS-1482021	Hex Cap Bolt	M6x12	2
147-2	TS-1551041	Spring Washer	M6	2
147-3	TS-1550041	Washer	M6	2
148	1321W-148	Bushing		1
149	1321W-149	Brush Bracket		1
149-1	TS-1482021	Hex Cap Bolt	M6x12	2
149-2	TS-1551041	Spring Washer	M6	2
149-3	TS-1550041	Washer	M6	2
150	1321W-150	Control Box		1
150-1	TS-1482021	Hex Cap Bolt	M6x12	4
150-2	TS-1551041	Spring Washer	M6	4
150-3	TS-1550041	Washer	M6	4
151	1321W-151	Control Panel		1
151-1	1321W-151-1	Cross Point Screw	M5x10	8
152	1321W-152G	Downfeed Valve Assembly		1
153	1321W-153	Power Indicator Light		1
154	1321W-154	Start Button		1
155	1321W-155	Stop Button		1
156	1321W-156	Emergency Switch		1
157	1321W-157	Arm Up Switch		1
158	1321W-158	Arm Down Switch		1

Index No	Part No	Description	Size	Qty
159	1321W-159	On/Off Coolant Switch		1
160	1321W-160	Downfeed Control Knob		1
160-1	TS-1523061	Set Screw	M6x20	2
161	1321W-161	Extension Bar		1
161-1	1321W-161-1	Key		1
162	1321W-162	Handle Base		1
162-1	1321W-162-1	Handle		2
163	1321W-163	Thrust Bearing	51106	1
164	1321W-164	Indicator Washer		1
165	1321W-165	Spacer		1
166	1321W-166	Blade Wheel Bracket Shaft		1
166-1	1321W-166-1	Cover		1
167	1321W-167G	Slide Bracket		1
168	1321W-168	Adjusting Nut		1
168-1	TS-1523021	Set Screw	M6x8	1
169	1321W-169	Slide Plate		2
170	TS-1504041	Hex Socket Cap Screw	M8x20	6
170-1	TS-1551061	Spring Washer	M8	6
171	1321W-171G	Extension Bracket		1
171-1	1321W-171-1	Sleeve	M20x35	3
171-2	TS-1551081	Spring Washer	M12	3
171-3	1321W-171-3	Hex Cap Bolt	M12x65	3
172	1321W-172	Blade Extension Scale		1
172-1	1321W-172-1	Cross Point Screw	M5x10	2
173	1321W-173	Spring Support Shaft		1
174	1321W-174	Belleville Spring	W=2.5mm	16
175	1321W-175	Stop Flange		1
175-1	1321W-175-1	Set Screw	M8x20	2
176	1321W-176	Limit Switch	1307	1
176-1	1321W-176-1	Cross Point Screw	5/32"x1"	2
176-2	TS-1550021	Washer	M4	2
176-3	TS-1540021	Nut (not shown)	M4	2
177	1321W-177	Cover		1
177-1	TS-1482021	Hex Cap Bolt	M6x12	2
177-2	TS-1551041	Spring Washer	M6	2
177-3	TS-1550041	Washer	M6	2
178	1321W-178	Relief Bushing		2
179	1321W-179	Electrical Wire	0.5/2Cx430cm	1
180A	1321W-180A	Eccentric Sleeve Assembly (#111,112,113-1,114,115)		2
180B	1321W-180B	Sleeve Assembly (#111,112,113,114,115)		2
	JET-254	JET Logo (not shown)	254x105mm	1
	1321W-181B1	Laser Guide with Bracket (not shown)		1
	1321W-181B2	Transformer with Power Cord (not shown)		1
	1321W-181B3	Bracket for Laser Guide (not shown)		1

13.3.1 HBS-1321W – Gear Reducer Box Assembly – Exploded View

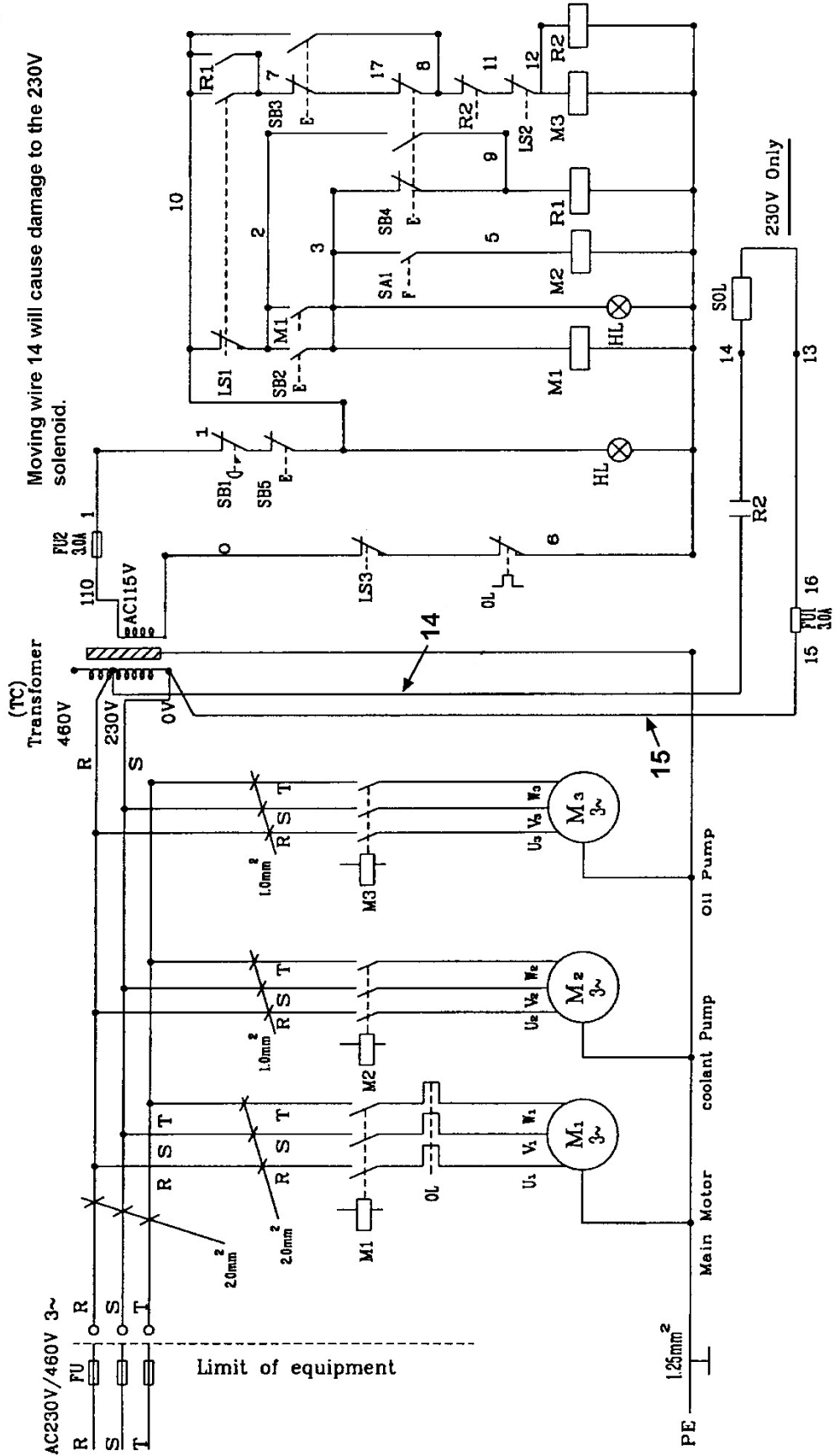


13.3.2 HBS-1321W – Gear Reducer Box Assembly – Parts List

Index No	Part No	Description	Size	Qty
1	1321W-94-01	Output Shaft Cover		1
2	TS-1482031	Hex Socket Cap Screw	M6x16	4
3	1321W-94-03	Key	12x8x35	1
4	1321W-94-44	Output Shaft with Bearings (s/n 1711PI00576 and higher)		1
5	1321W-94-05	Oil Seal	TC50X70X10	1
6	1321W-94-66	Roller Bearing (RE:#4)	BNJ210	2
7	1321W-94-07	Worm		1
8	1321W-94-08	Key	16x10x70 mm	1
9	1321W-94-09	Key	7x7x50 mm	1
10	1321W-94-10	Oil Seal	SC30x62x7	1
11	1321W-94-11	C-Clip	R62	1
12	1321W-94-12	Taper Roller Bearing	30206	2
13	1321W-94-13	Drain Plug	1/4"PT	1
14	1321W-94-14	Gear Box		1
15	1321W-94-15	Worm Shaft		1
16	1321W-94-16	Gasket		1
17	1321W-94-17	Input Shaft Cover		1
18	TS-1504041	Hex Socket Cap Screw	M8x20	4
19	1321W-94-19	Clear Oil Glass	25	1
20	1321W-94-20	Fill Oil Plug	3/8"PT	1
21	TS-1551071	Spring Washer	M10	6
22	TS-1491041	Hex Cap Bolt	M10x30	6
23	1321W-94-23	Worm Shaft Cover		1

14.0 Electrical Connections – HBS-1321W

NOTE: When converting to 460V operation, wires 14 and 15 should remain in their original location. Do NOT move wire 14 to the 460V transformer trap.



14.1 Wiring Diagram Symbol Glossary

Symbol	Description	Part Number
LS1	Cut off Limit Switch	1321W-45
LS2	Roller Limit Switch	1321W-45-1
SB1	Emergency Switch	1321W-156
SB2	Start Switch	1321W-154
SB3	Arm Down Switch	1321W-158
SB4	Arm Up Switch	1321W-157
SB5	Stop Switch	1321W-155
HL	Power Indicator Light	1321W-153
TC	Control Transformer	1321W-76
FU1	3A Fuse	1321W-77-1
FU2	3A Fuse	1321W-77
M1	Magnetic Switch (w/OL)	1321W-74
M2	Magnetic Switch	1321W-74-1
M3	Magnetic Switch	1321W-74-2
R1	Arm Up Relay	1321W-75
R2	Arm Down Relay	1321W-75-1
SA1	Coolant Pump On / Off Switch	1321W-159
SOL	SOL Valve	1321W-152

This page intentionally left blank.



427 New Sanford Road
LaVergne, Tennessee 37086
Phone: 800-274-6848
www.jettools.com