



ATD-80390A 700 LUMEN LED RECHARGEABLE TUBE LIGHT Owner's Manual



FEATURES:

- 700 constant lumen COB LED delivers a wider and brighter lighting area
- Memory function records setting after 5 seconds, and that setting is recalled the next time device is activated
- Removable lithium-ion battery pack can be used as USB power source for charging electronic devices
- 80 lumen LED top light provides an additional flashlight function
- Battery indicator shows battery level and charging progress
- Removable swivel hooks with magnets allow hands-free use
- Automatic shut-off and overcharge protection for optimal battery life
- Includes USB Type-C charging cord

SPECIFICATIONS:

- Length: 16.25"
- Top SMD LED Lumens: 80
- Top SMD LED Run Time: 10 hours
- Main COB LED Lumens: 350 low/700 high
- Main COB LED Run Time: 4.5 hours low/2.25 hours high
- ATD-80391 - 3.65V, 4000mAh lithium-ion rechargeable battery pack

Operating Instructions

- Charge with the included USB Type-C cable: plug the unit into any 110-120V AC power source or 5V DC USB port. Let the unit fully charge until the four indicator lights above the charging port all light up.
- Press the switch once for top light, twice for front LED low power, three times for front LED high power and four times to turn off.
- Memory function - Setting is recorded after 5 seconds of activation and is recalled the next time device is activated.
- Charge the light after each use if it is used often, to ensure longevity. Charge light every month if it is not in constant use.
- To change the battery, simply unscrew the end of the light and slide the old battery out. Replace with ATD-80391 batteries only.

Cautions

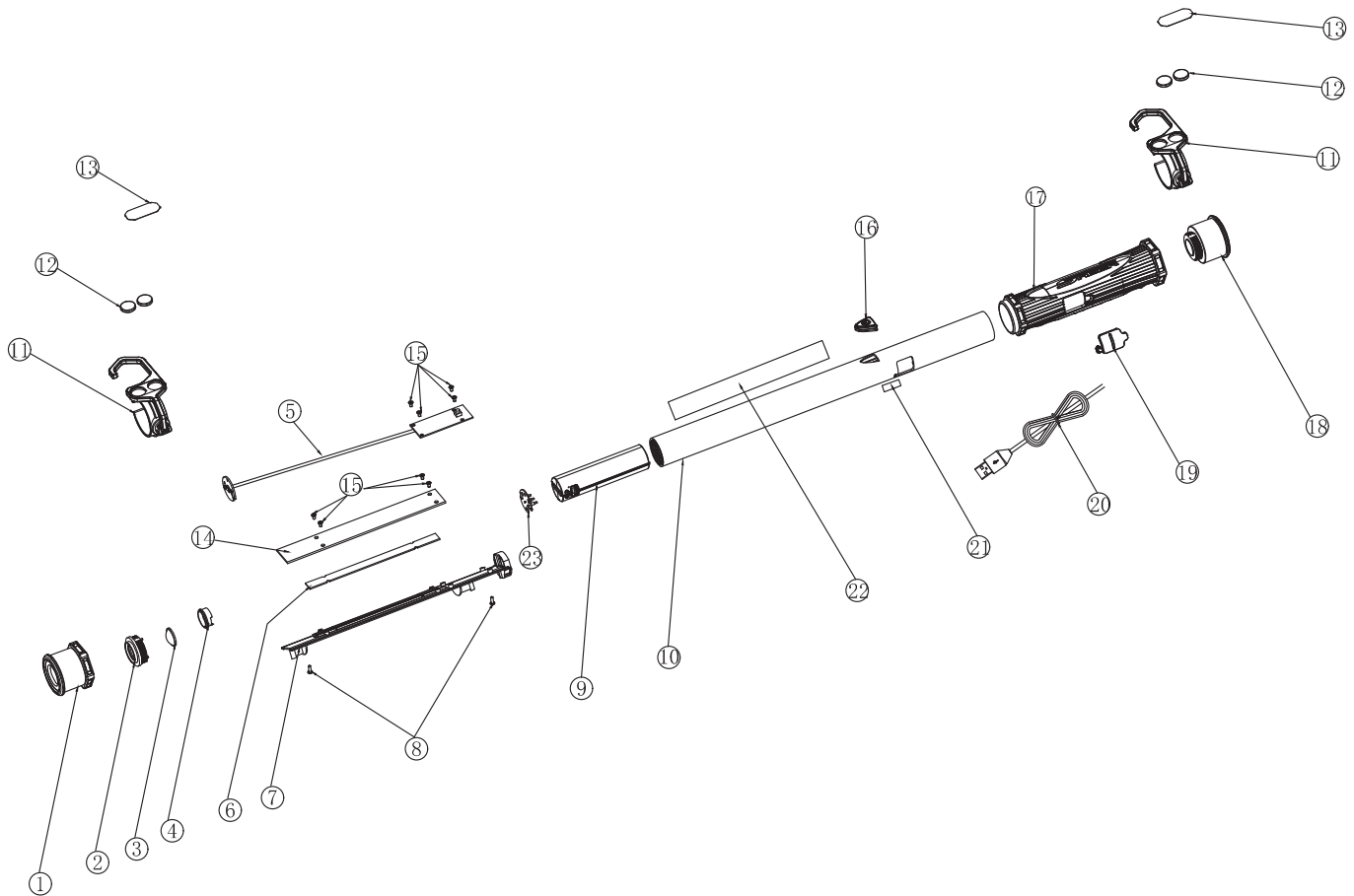
- For Indoor use only – DO NOT use in or around tubs, showers, sinks, pools, hot tubs, or in a wet environment.
- Use only the recommended voltage and frequency requirements.
- Keep out of reach of children.
- DO NOT operate light with wet hands.
- Keep light away from hot objects.
- DO NOT leave light in direct sunlight for prolonged lengths of time.

SABER®

ATD-80390A

REPLACEMENT PARTS

Not all components of this product are replacement items, but are illustrated as a convenient reference for position in the assembly sequence. When ordering parts, give model number, part number and description. Call your distributor for current pricing:



ITEM#	ORDERING PART#	PART DESCRIPTION
1	PRT80360A-01	TOP CAP
2	PRT80360A-02	TOP COVER
3	PRT80360A-03	LENS
4	PRT80360A-04	REFLECTOR CUP
5	PRT80390A-05	PCBA ASSY
6	PRT80390A-06	LED COB
7	PRT80390A-07	REFLECTOR
8	PRT80360A-08	SCREW A
9	ATD80391	BATTERY PACK
10	PRT80390A-10	PC TUBE
11	PRT80360A-11	HOOK ASSEMBLY
12	PRT80360A-12	MAGNET

ITEM#	ORDERING PART#	PART DESCRIPTION
13	PRT80360A-13	MAGNET LABEL
14	PRT80390A-14	HEAT SINK
15	PRT80360A-15	SCREW B ST2.5*5
16	PRT80360A-16	SWITCH
17	PRT80360A-17	HANDLE
18	PRT80360A-18	BOTTOM COVER
19	PRT80360A-19	DC COVER
20	PRT80020-14	TYPE C CHARGING CABLE
21	PRT80360A-21	FILM
22	PRT80390A-22	SLEEVE LABEL
23	PRT80360A-23	CONNECTION BOARD



THIS WARRANTY AND CONFIRMED RECEIPT(S) SHOULD BE RETAINED BY THE CUSTOMER AT ALL TIMES

PURCHASED FROM: _____

DATE PURCHASED: _____

INVOICE/RECEIPT NUMBER: _____

Your ATD-80390A is warranted for a period of 12 months from the original purchase date.

For a period of one (1) year from your purchase date, ATD Tools, Inc. will repair or replace (at its option) without charge, your ATD product if it was purchased new and the product has failed due to a defect in material or workmanship which you experienced during normal use of the product. This limited warranty is your exclusive remedy.

To access the benefits of this warranty, contact your supplier, or point of sale directly. You may be advised to return the product under warranty, freight prepaid, to your supplier for warranty determination.

If this ATD product is altered, abused, misused, modified, or undergoes service by an unauthorized technician, your warranty will be void. We are not responsible for damage to ornamental designs you place on this ATD product and such ornamentation should not cover any warnings or instructions or they may void the warranty. This warranty does not cover scratches, superficial dents, and other abrasions to the paint finish that occur under normal use. It also does not cover normal wear items such as but not limited to brushes, batteries, drill bits, drill chucks, pads or blades.

Subject to the law in your state:

- (1) Your sole and exclusive remedy is repair or replacement of the defective product as described above.
- (2) ATD is not liable for any incidental damages, including but not limited to, lost profits and unforeseeable consequences.
- (3) The repair and replacement of this product under the express limited warranty described above is your exclusive remedy and is provided in lieu of all other warranties, express or implied. All other warranties, including implied warranties and warranties of merchantability or fitness for a particular purpose are disclaimed and, if disclaimer is prohibited, these warranties are limited to one year from your date of purchase of this product.

Some states' laws do not allow limited durations on certain implied warranties and some states' laws do not allow limitations on incidental or consequential damages. You should consult the law in your state to determine how your rights may vary.

[Affix receipt or invoice here for safe keeping]

