



## ATD-30312 12" Rechargeable Drum Fan Owner's Manual



### Features:

- Fan operates with plug-in AC or DC adaptor (included), or cordless using built-in rechargeable lithium-ion battery
- Variable speed dial control allows for different speeds
- Powder coated adjustable tilt angle fan drum and base
- LED battery capacity indicator
- Includes built in USB power port for charging your cell phone, laptop, or other mobile devices
- Carrying handle for easy transportation

### Specifications:

- 12V DC/18W
- 12V, 2,600mAh lithium-ion rechargeable battery
- High 775 CFM, Low 180 CFM
- Run Time: 36 hours on low / 5.5 hours on high
- Charging Time: 3 hours fully charged
- cETL listed
- Dimensions: 16.1" L x 7.3" W x 14.1" H

---

## Safety Instructions

As with all electrical appliances, basic safety precautions should always be followed to reduce the risk of electric shock, fire or injury. **Read and save these instructions before using this fan.**

- Use this fan only as described in this manual. Any other use not recommended by the manufacturer may cause electric shock, fire or injury.
- Read all the instructions before using this fan.
- Use this fan only as described in this manual.
- Do not operate this fan with a damaged charging cord, or after the fan has been dropped.
- Do not leave fan unattended.
- This fan is not intended for use by persons (including children) with reduced physical, sensory or mental capabilities or lack of experience and knowledge, unless they have been given supervision or instruction concerning the use of the fan by a person responsible for their safety.
- Do not place the fan on a small, unlevel, uneven surface or on any surface which might allow the fan to tip or fall.
- For proper operation, fan should be placed on a smooth, non-combustible, level surface.
- Always unplug fan when not in use.
- Do not operate fan with the blade guards removed.
- Do not run the charging cord under carpeting or cover with throw rugs, runners or the like. Arrange cord away from traffic areas where it will not be tripped over.
- Avoid the use of extension cords due to the risk of fire. If an extension cord **MUST** be used, the cord must be a minimum of 14 AWG and rated not less than 1875 watts.
- Do not insert or allow any object to enter any openings on the fan. Doing so may cause electric shock and/or fire hazard.
- Avoid contact with moving parts.

### **⚠ WARNING: Shock Hazard**

Use your fan only in dry environments. This fan is not intended for use in a bathroom, laundry area, near sinks, washing machines, swimming pools or other sources of water. Never locate fan where it will fall into a bathtub or other water receptacle. Do not use in damp environments such as flooded basements.

### **⚠ WARNING: Fire Hazard**

Use your fan only in dry environments. This fan is not intended for use in a bathroom, laundry area, near sinks, washing machines, swimming pools or other sources of water. Never locate fan where it will fall into a bathtub or other water receptacle. Do not use in damp environments such as flooded basements. Fans have arcing or sparking parts inside. Do not use near combustible materials or flammable gases or sources of heat. Do not use in areas where gasoline, paint or flammable materials are stored. Do not block air intakes or exhaust in any manner. Do not insert or allow foreign objects to enter any ventilation or exhaust opening as this may cause electric shock, fire, or damage the fan.

## Operating Instructions

### Charging your fan:

To charge the fan, use the provided 24V DC output adapter. Connect the adapter to the charging port on the battery box, and plug into any 110V AC power source. LEDs will indicate the battery's power level. **NOTE:** When the battery power is too low (less than 5% of its capacity), the 10% LED will flash.

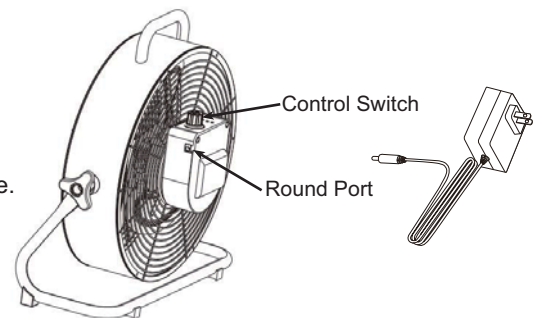
- During the charging stage, all four LEDs will flash progressively.
- When the battery reaches 10% of its power capacity, the 10% LED will illuminate.
- When the battery reaches 30% of its power capacity, the 30% LED will illuminate.
- When the battery reaches 50% of its power capacity, the 50% LED will illuminate.
- When the battery reaches 100% of its power capacity, the 100% LED will illuminate.

### Fan Operation:

To start the fan, rotate the switch knob on the battery box to desired speed.

### Tilt Angle Adjustment:

To adjust the tilt angle of your fan, loosen the adjustment knobs on either side of the fan, adjust the angle to the desired setting and tighten the adjustment knobs.



**Mobile Phone Charging:**

To charge your phone or any USB device from this fan, use the Type-A 5V output port located on the side of the battery box. Use your own USB charging cord.

**Care and Maintenance:**

**Cleaning: CAUTION** - Before cleaning the fan, be sure to disconnect the power cord. Unscrew and remove front grill only. Do not use harsh chemicals or abrasive cleaners. Do not immerse the fan or cords in water. Allow fan to dry completely before use. Replace the front grill before use.

**NOTE:** Rotate the front grill counter-clockwise to take it off for cleaning. Rotate is clockwise to replace it. Do not operate the fan without the grills in place.

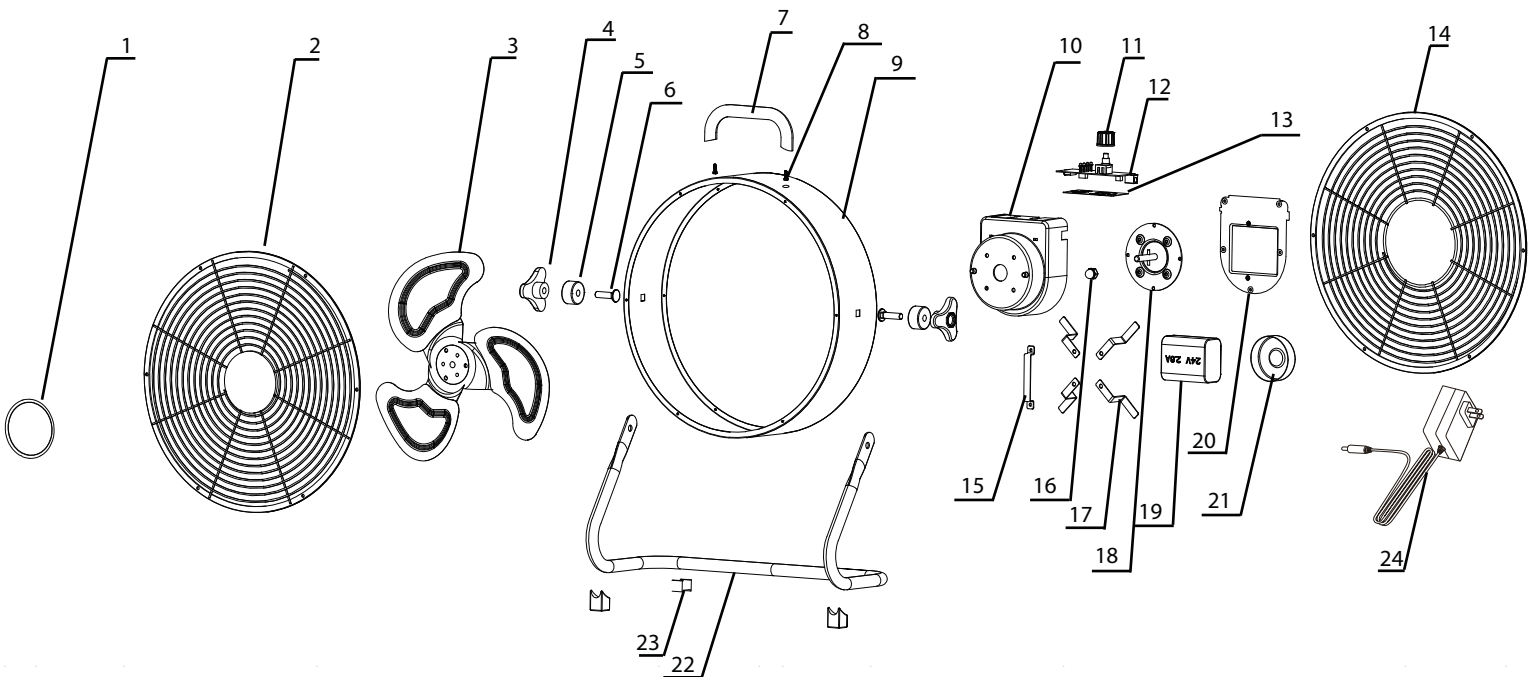
Periodic grill cleaning with a vacuum will prevent dust buildup . The motor is sealed and does not require any maintenance, cleaning or additional lubrication.

**Repair:** Do not use the fan if it has malfunctioned or become damaged in any way. Use only factory authorized parts to repair the fan.

**Storage:** Keep the original carton for storage of the fan. Coil and tie the USB cord to avoid damage during storage.

**REPLACEMENT PARTS**

Not all components of this product are replacement items, but are illustrated as a convenient reference for position in the assembly sequence. When ordering parts, give model number, part number and description. Call your distributor for current pricing:



ITEM#	ORDERING PART#	PART DESCRIPTION	QTY
1	PRT30312-01	LOGO PLATE	1
2	PRT30312-02	FRONT GUARD	1
3	PRT30312-03	BLADES	1
4	PRT30312-04	SCREW KNOBS	2
5	PRT30312-05	SPACER	2
6	PRT30312-06	CARRIAGE BOLTS	2
7	PRT30312-07	HANDLE	1
8	PRT30312-08	HANDLE SCREW	2
9	PRT30312-09	FAN SHROUD	1
10	PRT30312-10-21*	BATTERY BOX	1
11	PRT30312-11	SWITCH KNOB	1
12	PRT30312-12	SWITCH	1

ITEM#	ORDERING PART#	PART DESCRIPTION	QTY
13	PRT30312-10-21*	BATTERY BOX	1
14	PRT30312-14	REAR GUARD	1
15	PRT30312-10-21*	BATTERY BOX	1
16	PRT30312-16	SHAFT BOLT	1
17	PRT30312-10-21*	BATTERY BOX	1
18	PRT30312-18	MOTOR	1
19	PRT30312-10-21*	BATTERY BOX	1
20	PRT30312-10-21*	BATTERY BOX	1
21	PRT30312-10-21*	BATTERY BOX	1
22	PRT30312-22	FAN BASE	1
23	PRT30312-23	RUBBER PADS	4
24	PRT30312-24	AC ADAPTER (110VAC - 24VDC)	1

\*BATTERY BOX INCLUDES 10, 13, 15, 17, 19, 20 & 21



**THIS WARRANTY AND CONFIRMED RECEIPT(S) SHOULD BE RETAINED BY THE CUSTOMER AT ALL TIMES**

PURCHASED FROM: \_\_\_\_\_

DATE PURCHASED: \_\_\_\_\_

INVOICE/RECEIPT NUMBER: \_\_\_\_\_

Your ATD-30312 is warranted for a period of 12 months from the original purchase date.

For a period of one (1) year from your purchase date, ATD Tools, Inc. will repair or replace (at its option) without charge, your ATD product if it was purchased new and the product has failed due to a defect in material or workmanship which you experienced during normal use of the product. This limited warranty is your exclusive remedy.

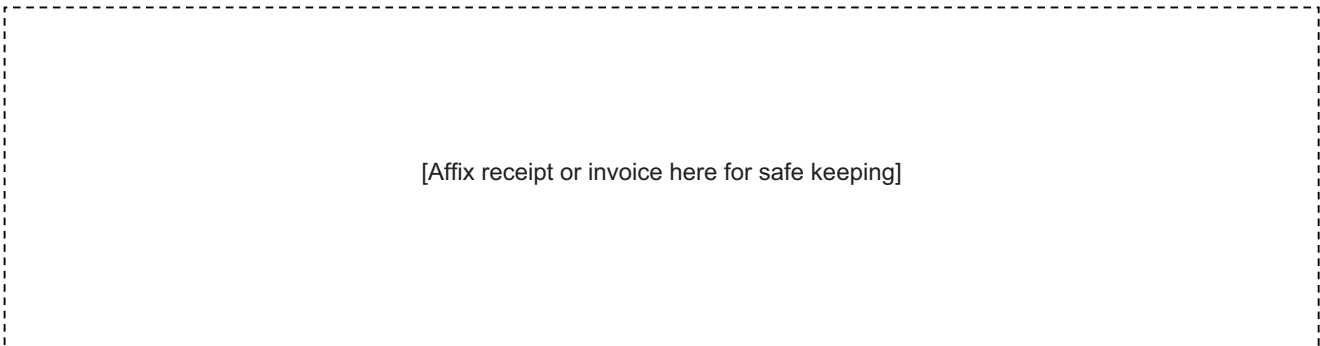
To access the benefits of this warranty, contact your supplier, or point of sale directly. You may be advised to return the product under warranty, freight prepaid, to your supplier for warranty determination.

If this ATD product is altered, abused, misused, modified, or undergoes service by an unauthorized technician, your warranty will be void. We are not responsible for damage to ornamental designs you place on this ATD product and such ornamentation should not cover any warnings or instructions or they may void the warranty. This warranty does not cover scratches, superficial dents, and other abrasions to the paint finish that occur under normal use. It also does not cover normal wear items such as but not limited to brushes, batteries, drill bits, drill chucks, pads or blades.

Subject to the law in your state:

- (1) Your sole and exclusive remedy is repair or replacement of the defective product as described above.
- (2) ATD is not liable for any incidental damages, including but not limited to, lost profits and unforeseeable consequences.
- (3) The repair and replacement of this product under the express limited warranty described above is your exclusive remedy and is provided in lieu of all other warranties, express or implied. All other warranties, including implied warranties and warranties of merchantability or fitness for a particular purpose are disclaimed and, if disclaimer is prohibited, these warranties are limited to one year from your date of purchase of this product.

Some states' laws do not allow limited durations on certain implied warranties and some states' laws do not allow limitations on incidental or consequential damages. You should consult the law in your state to determine how your rights may vary.



[Affix receipt or invoice here for safe keeping]