

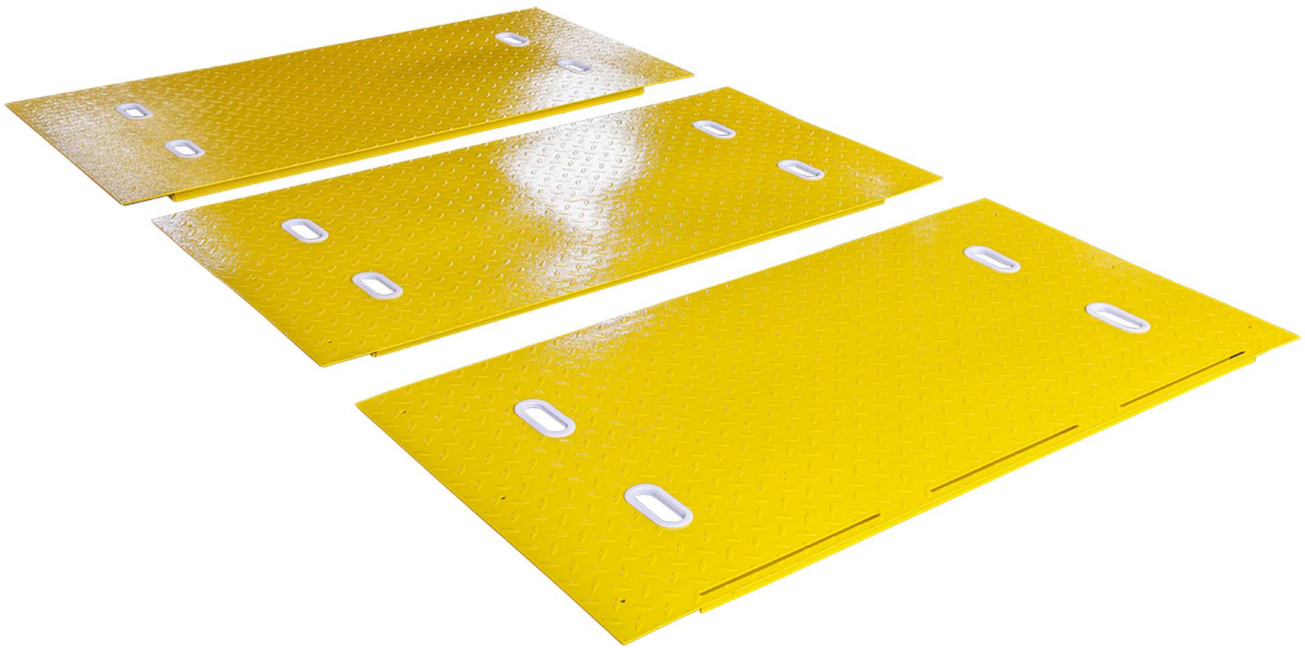


# **SC-2K-UTV-CTRPNLKIT**

## **SC-2K-UTV-X CENTER 'DECK PLATE'**

### **PANEL KIT**

**2,000 lbs. Total Capacity (907Kg)**



## **ASSEMBLY & OPERATION MANUAL**

### **NOTE!**

**(Supplement to the SC-2K-UTV-X Lift Installation & Operation Manual)**

### **IMPORTANT!!**

**READ MANUAL THOROUGHLY BEFORE ASSEMBLING OR USING TO PREVENT INJURY OR DAMAGES. WHEN COMPLETED WITH ASSEMBLY, ENSURE TO RETURN MANUAL & RELATED DOCUMENTS IN PROTECTIVE SLEEVE FOR FUTURE REFERENCE.**

# Safety & Cautions

## Important Statements:

Please note the max weight capacity for the SC-2K-UTV-CTRPNLKIT Center Deck Panel Kit is 2,000 lbs., the same as the overall lift capacity noted on the silver ID Tag attached to the SC-2K-UTV-X lift's main post. Each of the three Center Panels has a weight capacity limit of 667 lbs each. Do not try to lift any load that exceeds the rated lifting capacity, including for each Center Panel and Platform. Please read this manual carefully before assembly and use of the Center Panel Kit to avoid any property loss or personal injury caused by faulty operation. No one is allowed to modify the controls, components, or other mechanical parts of the machine without the manufacturer's permission.

## Qualification of Operators and Users:

- Only personnel who have read the manual and received training are allowed to operate and use the SC-2K-UTV-X Lift and SC-2K-UTV-CTRPNLKIT Center Panel Kit.
- Non-qualified professionals or personnel shall not approach the loading and lifting area.

## Cautions:

- Please read and understand Safety Cautions carefully before usage / operation of the Center Panel Kit and Lift.
- The lift shall not be used outdoors if not customized to meet special water proofing requirements.
- Hands and feet shall be kept away from moving parts of the lift at all times.
- Only personnel who have received professional training are allowed to operate and use the lift.
- Operators should not wear loose clothes to avoid being clamped by any moving part when the machine is descending or rising.
- Area around the lift must be kept clean to help avoid accidents and possible lift malfunctions.
- The lift is designed to lift the entire vehicle, not part of it. Do not try to lift any vehicle beyond the lift's rated lifting capacity.
- Make sure the lift is secured on the safety locks before working on a lifted vehicle or other item.
- Always lift vehicle / motorcycle slightly, checking the vehicle is stable without any risk of tipping or falling, before lifting it to the desired height.
- Check for any missing, broken, or seized parts or components that may contribute to improper wear & tear. Once any anomaly is detected, stop use immediately and contact your dealer.
- Always fully lower lift to the lowest position before driving a vehicle On or Off the lift platforms.
- It is not allowed to modify any part of the lift without the manufacturer's permission.
- If the machine is to stand idle for a long period of time, the operator / user shall:
  - a. Turn off electrical power.
  - b. Drain hydraulic oil from power unit. (Per local codes, dispose of used oil responsibly.)
  - c. Lubricate moving parts with grease.

## Training:

- Lift operators must be qualified & trained for safe use and proper operation, as described in Manual.

## Owner / Employer Responsibilities: (Also reference SC-2K-UTV-X Manual)

Proper application of the equipment described herein is limited to the parameters detailed in the specifications and the usages set forth in the descriptive passages. Any other proposed application of this equipment should be documented and submitted in writing to the factory for examination. The user assumes full responsibility for any equipment damage, personal injury, or alteration of the equipment described in this manual or any subsequent damages.

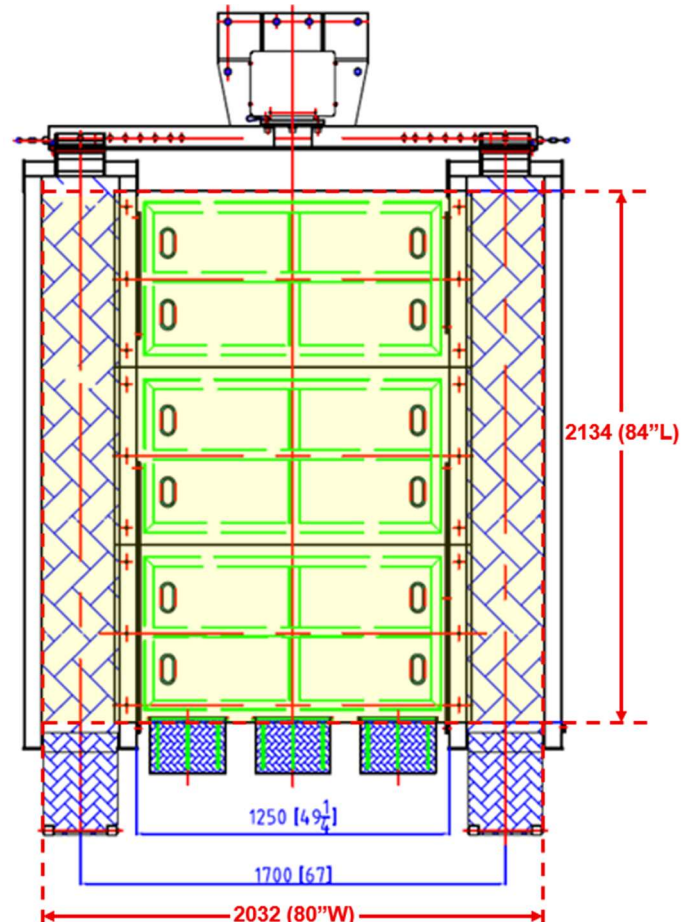
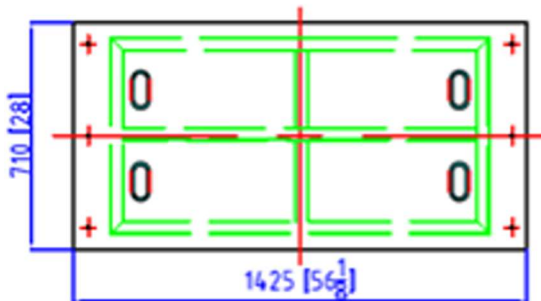
## 1. Product Information

### Center 'Deck Plate' Panel Kit Description: (SC-2K-UTV-CTRPNLKIT)

The iDEAL Center 'Deck Plate' Panel Kit (SC-2K-CTRPNLKIT) is an exclusive optional accessory for the SC-2K-UTV-X Lift with total Kit capacity of 2,000 lbs or 667 lbs per panel. When installed, the three steel panels create an 80" x 84" load-bearing platform area by positioning the lift platforms at their widest setting. This large platform surface area supports smaller ATVs, motorcycles, mowers, generators, bicycles, and similar equipment. Each panel is constructed from reinforced steel with powder-coat paint finish. Integrated hand-holes allow for easy handling, and rubber-lined flanges help stabilize the panels while protecting the lift platforms. The kit is compatible with SC-2K-UTV-X Side Ramps to assist with loading wheeled equipment before lifting and stowing.

### Specifications & Dimensions:

Accessory Model	SC-2K-UTV-CTRPNLKIT
Max Panel Kit Capacity	2,000 lbs.
Max Capacity Per Panel	667 lbs.
Panel Size (Each)	56.1"W X 28"L
Panel Weight (Each)	75 lbs.
Overall Panel Kit Area	49.2"W x 84"L
Overall Platform Area	80"W x 84"L
Ship Weight	275 lbs.



## Required Tools:

- Forklift, Pallet Jack or Wheeled Dolly (Offload Kit package upon delivery)
- Scissors / Metal Shears
- Safety Glasses
- Gloves

## Selecting Site:

**NOTE:** Before applying the (SC-2K-UTV-CTRPNLKIT) Center Panel Kit to the SC-2K-UTV-X lift, ensure to check the following:

### Overhead Obstructions:

The area where the Center Deck Panels will be positioned & loaded on the lift platforms should be free of any overhead obstructions such as heaters, building supports, electrical lines, etc. whenever fully raising various vehicles and/or for taller storage items. **Failure to comply could result in Property, Vehicle & Lift damages.**

## Center 'Deck Plate' Panel Kit Key Features: (SC-2K-CTRPNLKIT)

- ❖ Designed exclusively as an Optional Accessory for the iDEAL SC-2K-UTV-X Single Column UTV & Mower Storage/Service Lift.
- ❖ Provides a 56" x 84" load-bearing 2,000 lbs. combined max capacity surface between the SC-2K-UTV-X lift platforms, for an overall platform service or storage area of 80" x 84" including the lift platforms.
- ❖ Expands the SC-2K-UTV-X lift's functionality for general storage of small or heavy equipment, including ATVs, motorcycles, riding or push mowers, generators, bicycles, and other similar items.
- ❖ Compatible with SC-2K-UTV-X side ramps to assist with loading / offloading of larger wheeled equipment.
- ❖ Flexible configuration by using just one or two panels to match specific service or storage needs.
- ❖ Integrated hand-holes allow easy placement, repositioning, and removal of panels.
- ❖ Underside rubber strips to panel flanges enhance stability and protect the lift platform surfaces.
- ❖ Heavy-duty reinforced deck plate construction for long-term durability.
- ❖ Durable powder-coat paint finish.

## 2. Assembly Instructions

**WARNING!!** Improper assembly & installation can cause accelerated wear, resulting in catastrophic failure which may cause property damage and / or bodily injury. Manufacturer will assume no liability for loss or damage of any kind, expressed or implied, resulting from improper installation or use of this product. Read this installation manual in its entirety before attempting to install or operate the lift.

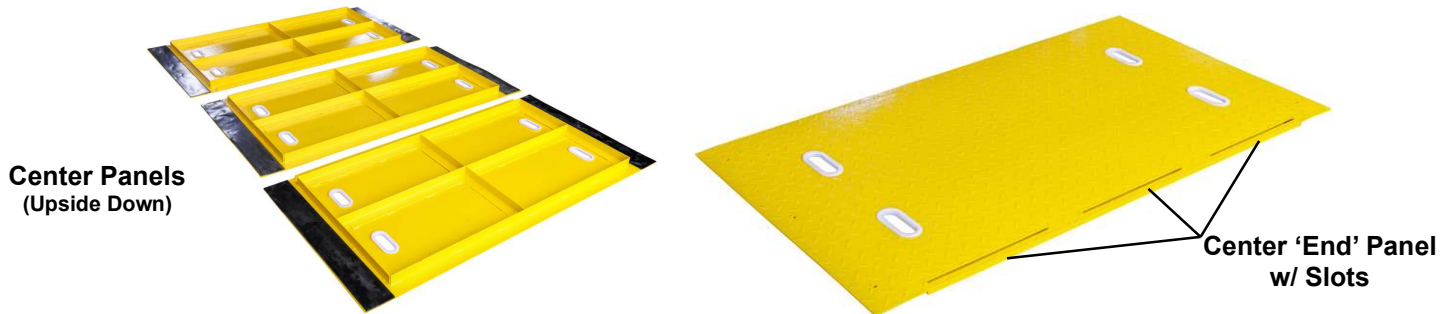
**NOTE:** The SC-2K-UTV-X Lift must already be Fully Installed & Operational, prior to applying the below Assembly Steps.

## Assembly Steps:

**CAUTION:** Ensure there is No Vehicle and/or Load on the Lift Platforms!

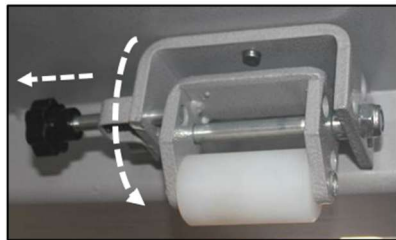
**NOTE:** Remove of All Wheel Stop Bars & Side Ramps, prior to the below Assembly Steps.

- 1) Carefully remove the Center Panels from the box package individually and set aside. Use a second person if necessary, as each Center Panel weighs 75 lbs. **NOTE:** One Center 'End' Panel is different, with 3ea slots.



- 2) Adjust the SC-2K-UTV-X Lift Platforms to their widest positions, using the Retractable Nylon Wheel Dollies mounted to the underside of each Platform, using the steps below.

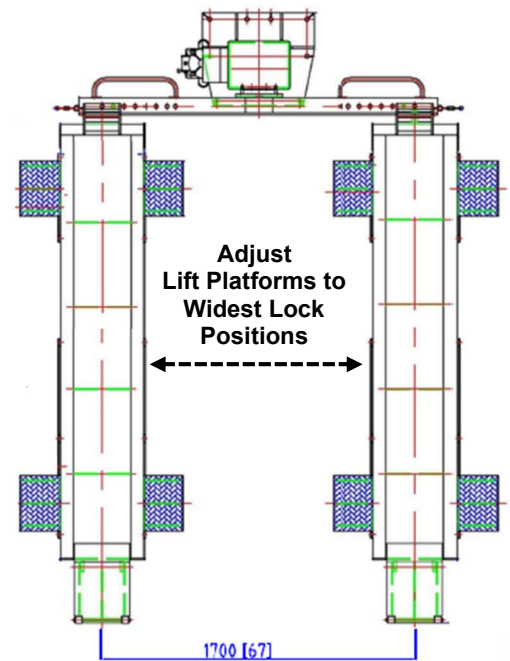
- A. Raise the Lift Platforms to a comfortable height to access & position all 6ea Retractable Nylon Wheel Dollies to the 'down & locked' position.



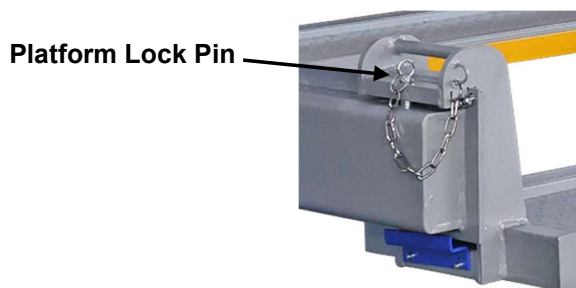
Retractable Nylon Wheel Dolly in the 'down / locked' position

- B. With Wheel Dollies in the 'down & locked' position, fully lower the Lift Platforms to the ground, so that both Platforms are supported by their Wheel Dolly sets.

**NOTE:** The Platforms will rise slightly off the Bolter Beam, allowing Platforms to be more easily repositioned using the Wheel Dollies.



- C. Remove Lock Pins from each Platform to position the Platforms to their widest position, while ensuring the widest outer holes on the Bolster Beam align with the holes for each Platform.



**\*Platform Adjustment Hint:** With Platforms fully lowered onto 'locked' wheel dollies, use two persons, one at each end of the Platform to carefully 'push or pull' the Platform 'evenly' into position.

**CAUTION: Do Not Use the 'Yellow' Wheel Stop Bars to reposition Platforms!**

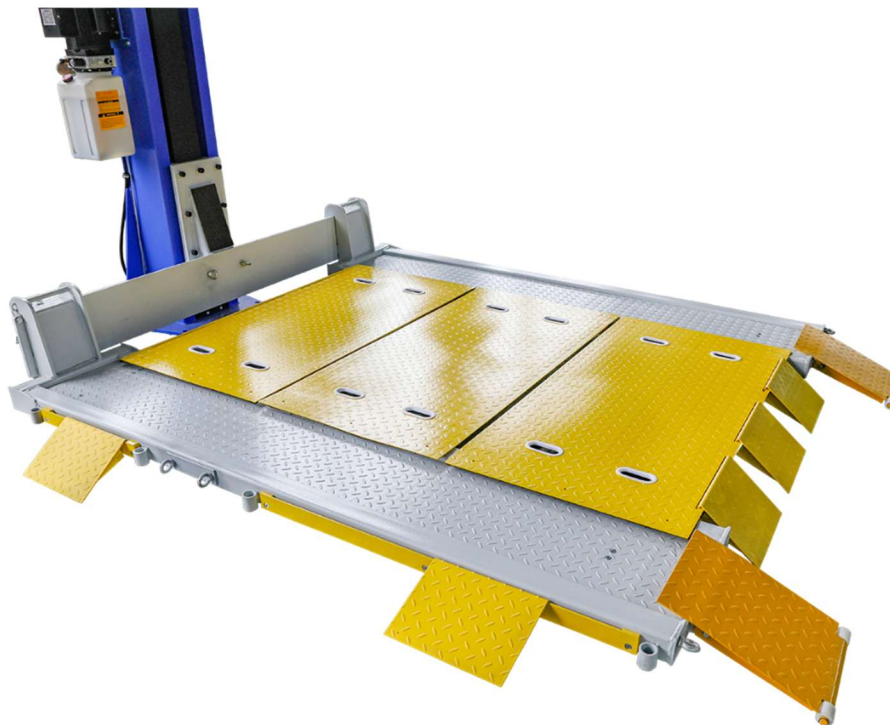
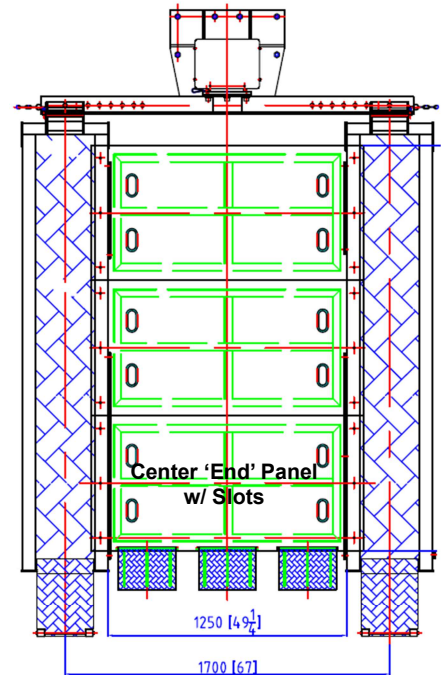
D. Apply Lock Pins to secure each Platform to the Bolster Beam, ensuring the Platforms are positioned to the widest holes at each end of the Bolster Beam.

3) With Lift Platforms fully lowered & positioned to the widest positions, carefully apply the Center Panels to the desired position so that flanges rest on top of the 'inner tubing' for each Lift Platform.

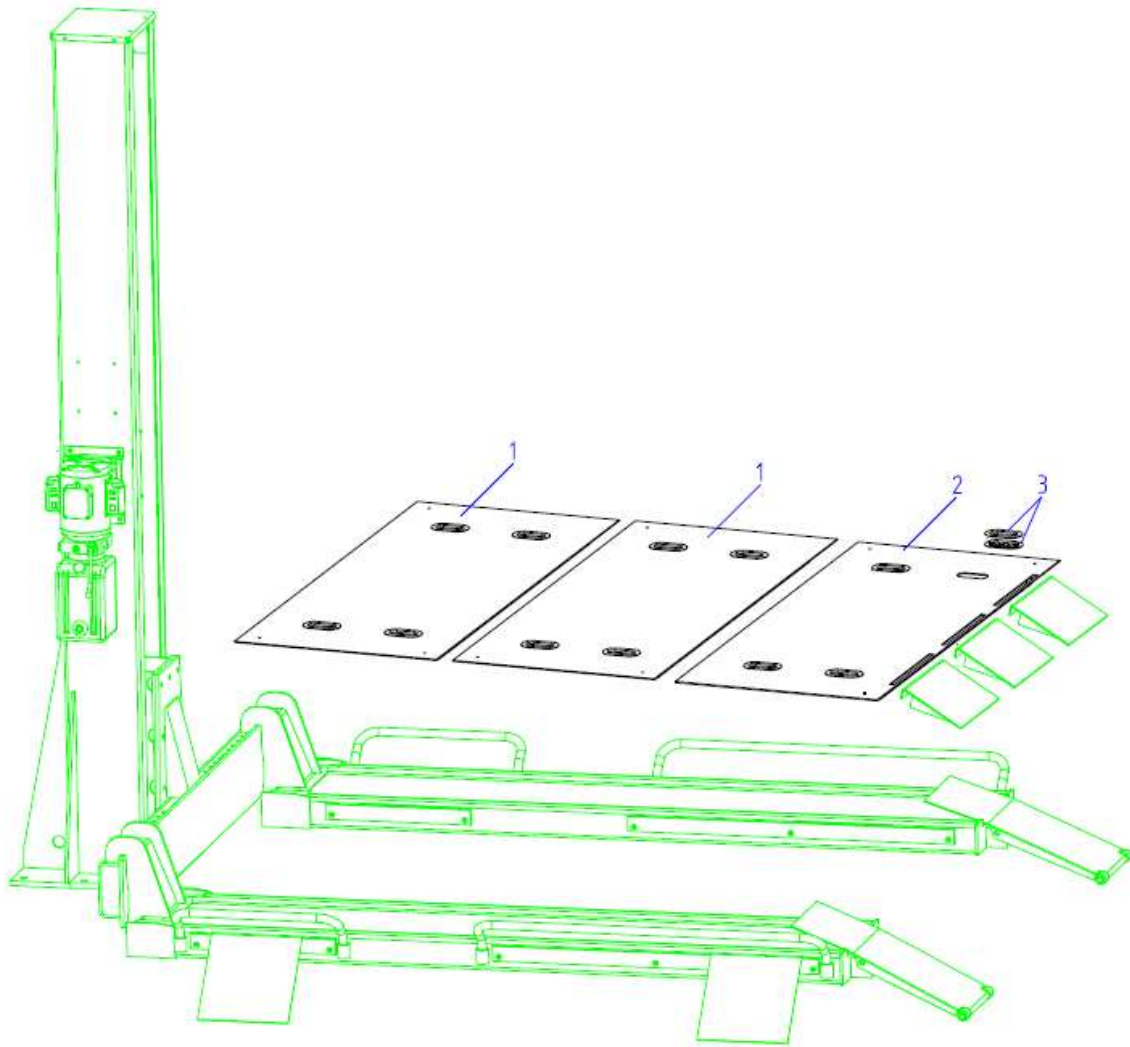
**NOTE:** If applying all three Center Panels fully filling the gap between the Lift Platforms, ensure to position the Center 'End' Panel w/ 'ramp slots' at the end of the Lift Platforms for the option to use the Side Ramps already provided with the SC-2K-UTV-X Lift.

4) Once the Center Deck Panels are applied to the desired positions between the Lift Platforms, raise the Lift Platforms to the desired height to reposition all 6ea Nylon Wheel Dollies to the 'up & locked' position.

5) Reapply Wheel Stop Bars & Side Ramps to Lift Platforms as required.



# Exploded View



## Parts List

ITEM	TUX P/N	M-REF P/N	DESCRIPTION	QTY.
1	SC-2K-UTV-CTRPNL (A)-001	TC02-40000-FJ3	SC-2K-UTV Center 'Deck Plate' Panel (Front / Middle)	2
2	SC-2K-UTV-CTRPNL (B)-002	TC02-50000-FJ3	SC-2K-UTV Center 'Deck Plate' End Panel (w/ Ramp Slots)	1
3	SC-2K-UTV-CTRPNL-003	TC02-40003-000	SC-2K-UTV Center Panel Plastic Handle Ring	12

# LIMITED WARRANTY

## Structural Warranty:

The following parts and structural components carry a five-year warranty:

Columns	Arms	Uprights	Swivel Pins
Legs	Carriages	Overhead Beam	Platforms
Tracks	Cross Rails	Top Rail Beam	

## Limited One-Year Warranty:

Tuxedo Distributors, LLC (IDEAL) offers a limited one-year warranty to the original purchaser of Lifts and Wheel Service equipment in the United States and Canada. Tuxedo will replace, without charge, any part found defective in materials or workmanship under normal use, for a period of one year after purchase. The purchaser is responsible for all shipping charges. This warranty does not apply to equipment that has been improperly installed or altered or that has not been operated or maintained according to specifications.

## Other Limitations:

This warranty does not cover:

1. Parts needed for normal maintenance
2. Wear parts, including but not limited to cables, slider blocks, chains, rubber pads and pulleys
3. Replacement of lift and tire changer cylinders after the first 30 days. A seal kit and installation instructions will be sent for repairs thereafter.
4. On-site labor

Upon receipt, the customer must visually inspect the equipment for any potential freight damage before signing clear on the shipping receipt. Freight damage is not considered a warranty issue and therefore must be noted for any potential recovery with the shipping company.

The customer is required to notify Tuxedo of any missing parts within 72 hours. Timely notification must be received to be covered under warranty.

Tuxedo will replace any defective part under warranty at no charge as soon as such parts become available from the manufacturer. No guarantee is given as to the immediate availability of replacement parts.

Tuxedo reserves the right to make improvements and/or design changes to its lifts without any obligation to previously sold, assembled, or fabricated equipment.

There is no other express warranty on the Tuxedo lifts and this warranty is exclusive of and in lieu of all other warranties, expressed or implied, including all warranties of merchantability and fitness for a particular purpose.

To the fullest extent allowed by law, Tuxedo shall not be liable for loss of use, cost of cover, lost profits, inconvenience, lost time, commercial loss or other incidental or consequential damages.

This Limited Warranty is granted to the original purchaser only and is not transferable or assignable.

Some states do not allow exclusion or limitation of consequential damages or how long an implied warranty lasts, so the above limitations and exclusions may not apply. This warranty gives you specific legal rights and you may have other rights, which may vary from state to state.

8320 E Hwy 67, Alvarado, TX 76009  
Ph. 817-558-9337 / Fax 817-558-9740