

Installation And Service Manual

SINGLE-POST PARKING LIFT

Model: SPL-7

Cargo Claims

If there is any missing or damaged product during transportation, the buyer must notate on the shipping paperwork or refuse the shipment. NOTATE ALL DAMAGE OR REFUSE DAMAGED SHIPMENT!




DANGER

Read the entire contents of this manual before using this product. Failure to follow instructions and safety precautions could result in serious injury or even death. Make sure all other operators also read this manual. Keep this manual near the machine so that it can be seen by all users. By proceeding with installation and operation, you agree that you are fully understand the contents of this manual and take full responsibility for the use of the product.

CONTENTS

PROFILE	1
IMPORTANT SAFETY INSTRUCTIONS	3
I. PRODUCT FEATURES AND SPECIFICATIONS	5
II. INSTALLATION REQUIREMENT	7
III. INSTALLATION STEPS	9
IV. EXPLODED VIEW	22
V. TEST RUN	26
VI. OPERATION INSTRUCTIONS	28
VII. MAINTENANCE SCHEDULE	28
VIII. TROUBLE SHOOTING	30
IX. CAR LIFT SAFETY TIPS	31
X. LIFT DISPOSAL	31

Explanation of the safety warning symbols used in this manual

-  **DANGER** Risk of death or injury
-  **WARNING** Dangerous or unsafe practices that may result in death or injury
-  **CAUTION** Dangerous or unsafe practices that may result in personal injury, product damage or property damage
- ATTENTION** Conditions that may result in damage to products or property

PROFILE

The two post lift is a commonly used vehicle repair and maintenance tool that uses a pneumatic hydraulic or electric system that can lift the car up to a certain height so that the vehicle can be placed in a suitable position for inspection and repair. Car lifts can be divided into pneumatic and electric, which have the characteristics of safe and reliable, simple structure and quick installation.

This instruction manual is specially prepared for you. Your new lift is the product of over a decade of continuous research, testing and development and is the most technologically advanced lift on the market today.

Please make sure to read through this manual before operating the lift.

Record the information on the nameplate label here :

Model No. :

Serial No. :

Manufacturer date :

WARRANTY

The warranty period for the steel structure part of new car lift is 5 years, hydraulic components, bronze bushings, sliders are warranty for 3 years, and electrical components and sync cable, lock release cable are warranty for 2 years. Rubber pads are without warranty. During the warranty period, the manufacturer will repair or replace the defective parts free of charge including shipping costs.

This warranty does not cover damage caused by normal wear and tear, improper use, damage in transit, or damage caused by lack of maintenance.

This warranty is unique and supersedes what is expressed and implied in all other warranties. The manufacturer shall not be liable for any particular, indirect or accidental damage resulting in breach of or delay in the execution of the warranty. The manufacturer reserves the right to design and improve the product and has no obligation to make notice of the changes in advance.

The product warranty based on the above clause is based on the model number and serial number of the equipment. This information must be provided in conjunction with all warranty information at the time of service and warranty.

SAFETY WARNING LABEL



Fig. 1


IMPORTANT SAFETY INSTRUCTIONS

In order to properly maintain your product and ensure operator safety, it is the responsibility of the product owner to read and follow these instructions!

1. Ensure product installation complies with all applicable local regulations and rules, such as Occupational Safety and Health Administration regulations and electrical codes.
2. Ensure that all operators are properly trained, know how to operate the unit safely, and are properly supervised.
3. Do not operate the lift until you are sure all parts are in place and operating correctly.
4. Keep your hands and feet away from the machine. Keep hands and feet away from any moving parts. Keep your feet away from the lift as it descends to avoid pressing on pointed objects.
5. Keep the work area clean. A cluttered workspace can lead to injuries.
6. The machine is only approved for indoor installation and use. Outdoor installation is prohibited.
7. Only trained operators are allowed to handle the lift machine. All untrained persons must stay away from the workplace. Never allow untrained persons to handle or operate the machine.
8. Use the lift properly. Use the lift in the correct way.
9. Warning! Keep persons and objects from the lift when lifting the a vehicle.
10. If the vehicle is at risk of falling, make sure no one is around the lift.
11. Before preparing to approach or service the vehicle, ensure that the safety device is in effect.
12. Dress appropriately when operating machines, and consider wearing non-slip steel-toe shoes for added safety.
13. Beware of electric shock. In order to protect the operator from electric shock, the lift in use must be grounded. Do not connect the green wire to the terminal. This is the ground wire.
14. Danger! The power supply used in this type of lift has high voltage. Please disconnect the power supply before any circuit repair. Unplug in case the power supply is accidentally switched on during maintenance.
15. Warning! There is a risk of explosion. There are parts in the equipment that produce arc light and spark. Do not operate near flammable gas. This machine should not be placed in the lounge or basement.
16. Maintain with care. Keep the machine clean for better and safer operation. Perform proper lubrication and maintenance procedures according to the manual. Keep handles or buttons

clean, dry, and free of oil.

17. Stay alert. Use common sense to observe what you are doing and stay alert.
18. Check for damaged parts. Check for adjustments to moving parts, damage to parts, or anything that may affect their operation. Do not use the machine if the parts are damaged.
19. Do not remove relevant safety parts from the machine. Do not use a lift if it is damaged or missing.
20. Only operate the lift at temperature between 41°F to 104°F (5°C to 40°C).

 **DANGER** Be very careful when installing, operating, maintaining or repairing this equipment. Failure to comply may result in property damage, product damage, injury or (in very rare cases) death. Ensure that only authorized personnel operate the equipment. All repairs must be carried out by an authorized technician. Do not modify the machine, this voids the warranty and increases the probability of personal injury or property damage. Ensure to read and follow this instructions on the label.

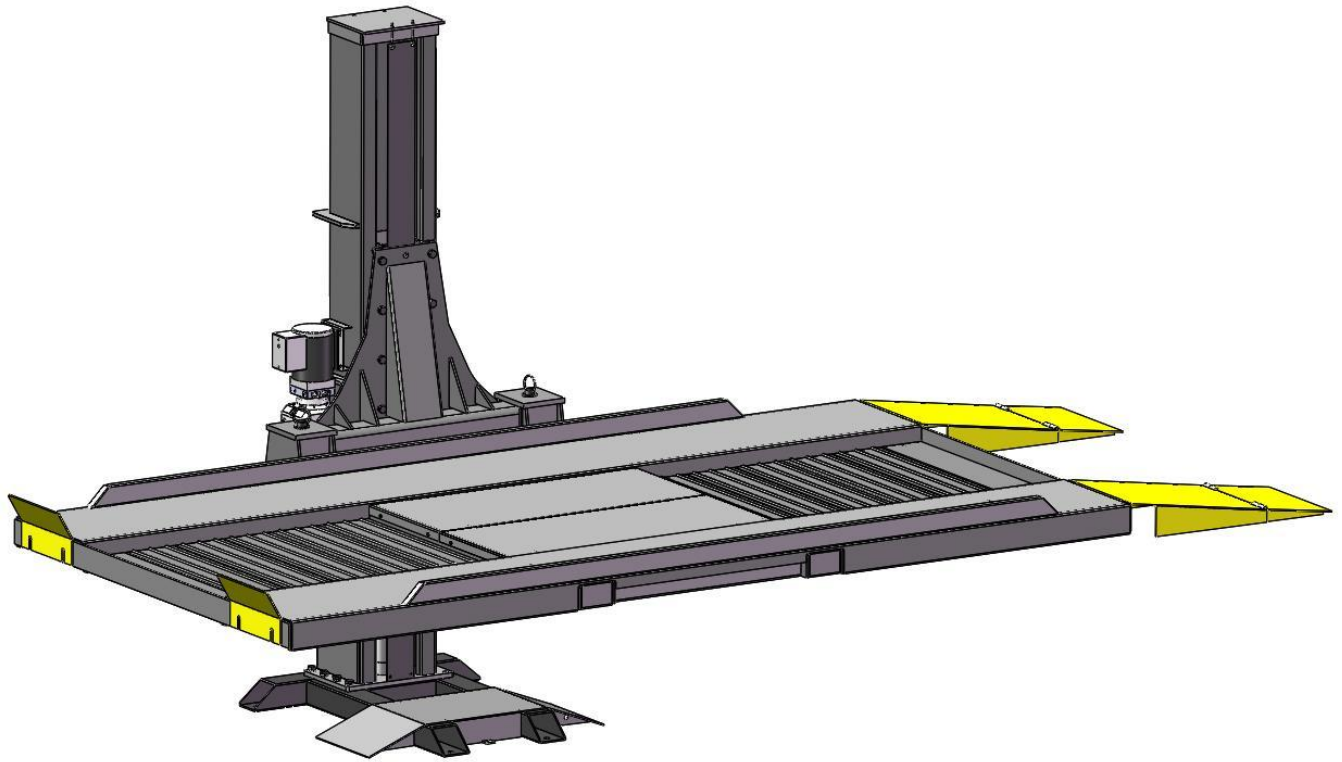


Fig.2

I. PRODUCT FEATURES AND SPECIFICATIONS

Single-post Parking Lift

MODEL SPL-7

- Specially designed for parking.
- Dual safety device, No air source, manual safety lock release
- Non slip lifting platform
- H-shaped lifting platform with reinforced column to provide excellent stability
- Available for low ceilings garage of less than 110" (2800mm).
- Suitable for home garages and commercial applications,with limited floor space

MODEL SPL-7 SPECIFICATIONS

Model	Lifting Capacity	Lifting Time	A	B	C	D	
			Overall Height	Overall Width	Overall Length(In c. Drive-in ramp)	Max. Lifting Height	Max. Lock Height to Top of Runway
SPL-7	7000lbs	84s	108 7/8"	111"	192 1/8"	74"	70 3/16"
E		F	G	Motor			
Max. Underneath Height	Max. Lock Underneath Runway	Minimum Height	Width Between Runways				
69 5/16"	65 1/2"	6 1/8"	42 3/8"	1.0HP,110V			

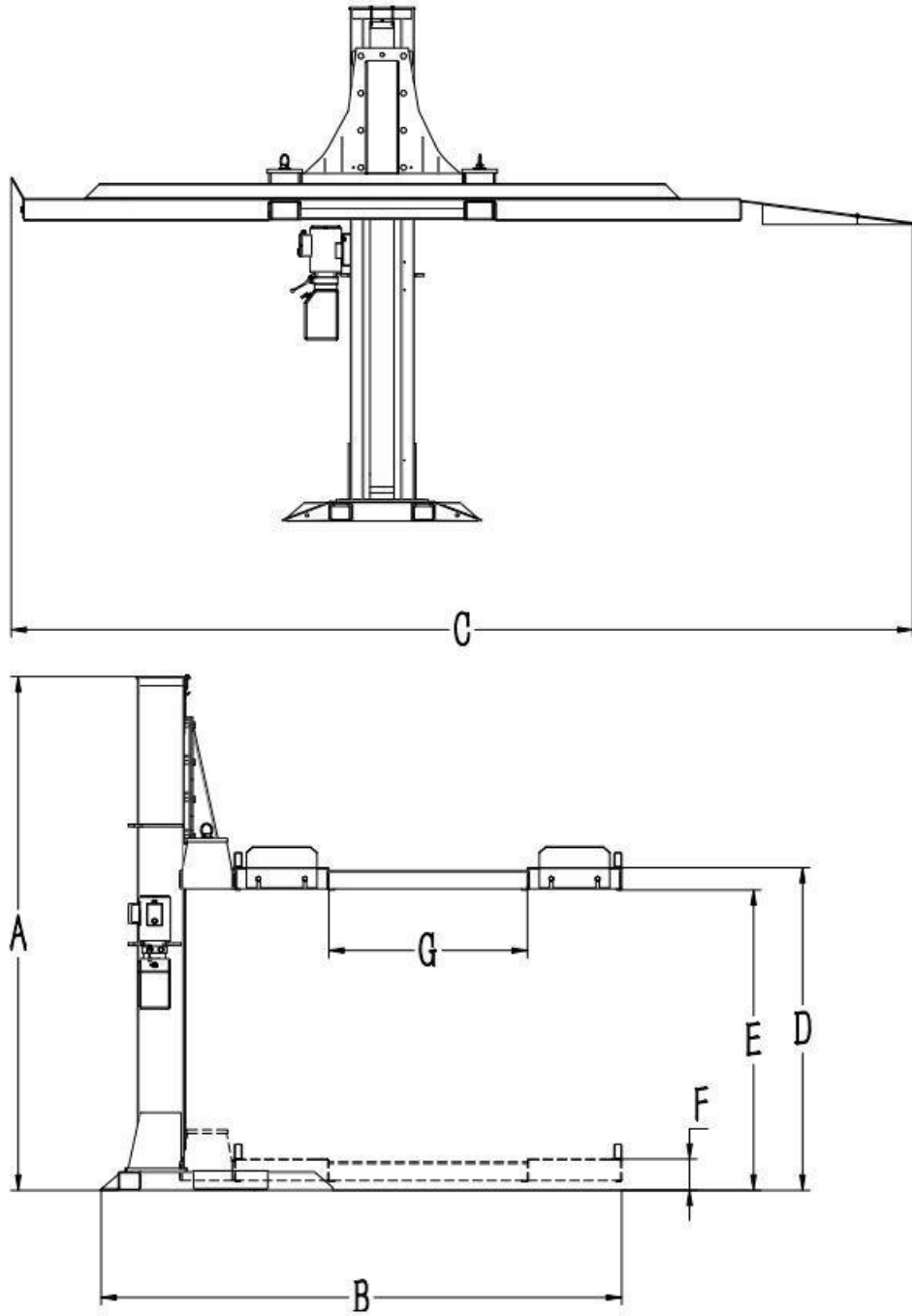


Fig.3

II. INSTALLATION REQUIREMENT

A. TOOLS REQUIRED

√ Rotary Hammer Drill (Φ19)



√ Hammer



√ Level Bar



√ English Spanner (12")



√ Wrench set: (10#, 13#, 14#, 15#, 17#, 19#, 24#, 27#, 30#)



√ Ratchet Spanner With Socket (28#)



√ Carpenter's Chalk



√ Screw Sets



√ Tape Measure (7.5m)



√ Pliers



√ Lock Wrench



√ Socket Head Wrench (3#, 5#, 8#)



Fig.4

B. Equipment storage and installation requirements.

- 1 . Store the equipment in a dry, non-moldy, non-flammable environment.
- 2 . The lift is only approved for indoor installation and use, and outdoor installation is prohibited.
- 3 . When installing the device, take safety precautions according to the instructions to avoid device damage.
- 4 . Do not install the device outdoors if the installation area is not protected.
- 5 . During installation, all parts should be fastened to ensure the stability and smooth operation of the machine.
- 6 . After installation, the whole machine should be checked to make sure that every component is working properly.

C. SPECIFICATIONS OF CONCRETE (See Fig. 5)

Specifications of concrete must be adhered to the specifications as following.

Failure to do so may result in lift and/or vehicle falling.

1. Concrete must be 5" minimum thick and without reinforcing steel bars, and must be completely dry before lift installation.
2. Concrete must be in good condition and must be of test strength 3,500psi (245kg/cm²) minimum. Solidify at least 15 days.
3. Floors must be level and contain no cracks or holes.
4. Do not install the lift on asphalt or any surface other than concrete

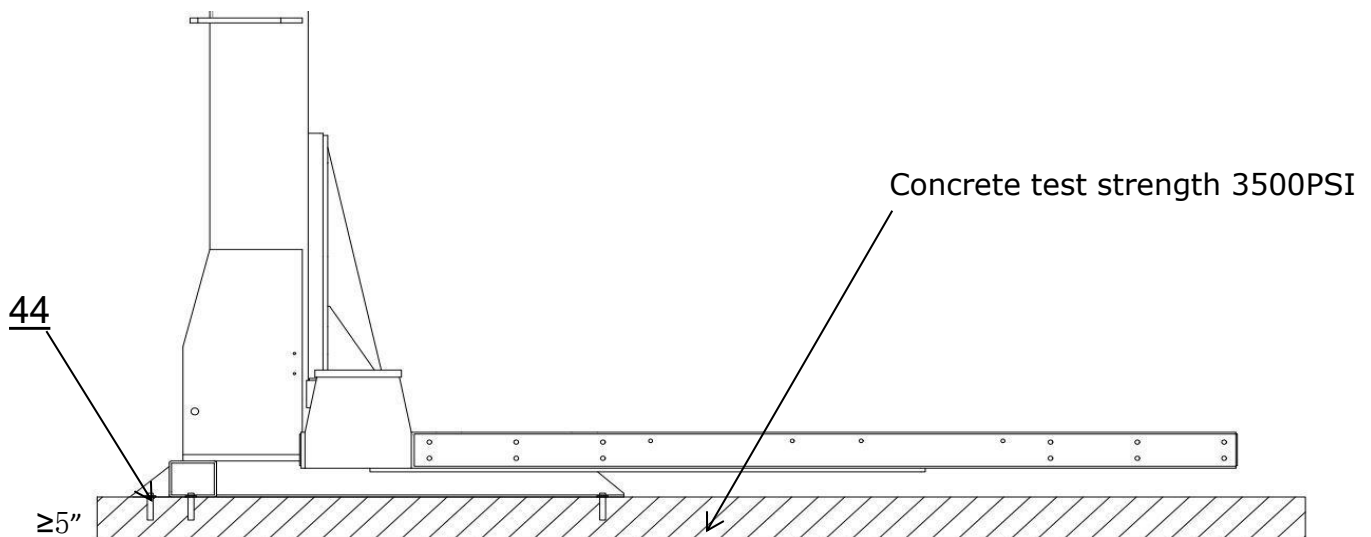


Fig.5

D. POWER SUPPLY

1. You are required to use a licensed and qualified electrician for the installation process.
2. The power supply 110VAC, 60Hz , with a cord larger than 12AWG, and must be properly grounded.

⚠️!DANGER All electrical wiring must be performed by a licensed and certified electrician. Attempting to connect the circuit without proper certification may result in damage to the lift or electrocution, resulting in serious injury or death.

III. INSTALLATION STEPS

A. Location of installation

1. Building plan : Refer to the building plan when selecting your ideal installation location. Make sure that the location you choose does not conflict with the floor plan of the building.
2. Installation space: Ensure there is enough space for the lift. Accurately measure the front, back, side and top mounting dimensions and refer to the below figure data.
3. Overhead obstacle : Check for overhead obstacles, such as building supports, heaters, lights, wires, and low ceilings, etc..
4. Power supply: The voltage meet 110VAC, 60Hz , the current meet 20A, with a cord larger than 12AWG.
5. Floor: Install lift only on flat concrete floor. Do not install on asphalt or any other surface. Do not install the lift if the surface slope more than 3° .

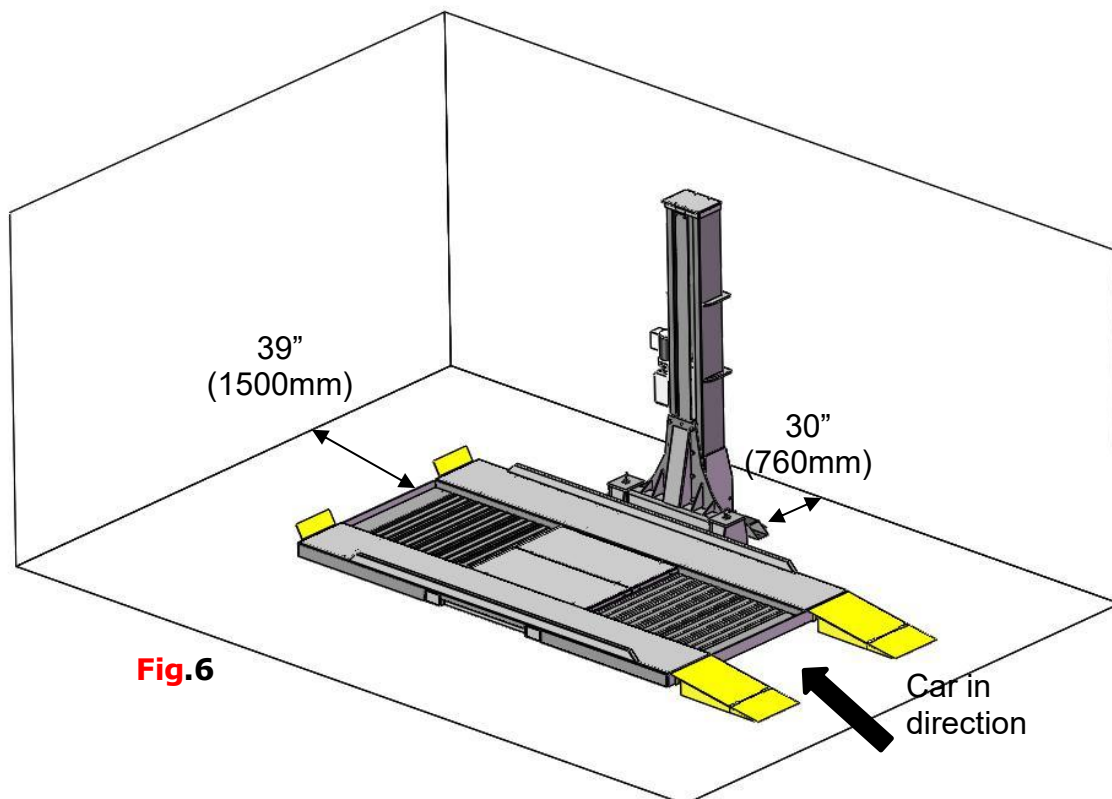


Fig.6

⚠ CAUTION Installing the lift on a surface with slopes more than 3° could lead to injury or even death. This lift is designed for installation on a flat and level surface only. (Defined as no more than 10mm difference over the installation area). If the floor cannot be leveled, consider changing installation locations.

ATTENTION The lift installation and concrete construction must meet the latest version of the national standard "Automotive Hoist-Safety Requirements for Construction, Testing and Verification".

B. Check the parts before assembly

1. Whole set of one unit (Packaged lift and hydraulic power unit). **(See Fig. 7)**

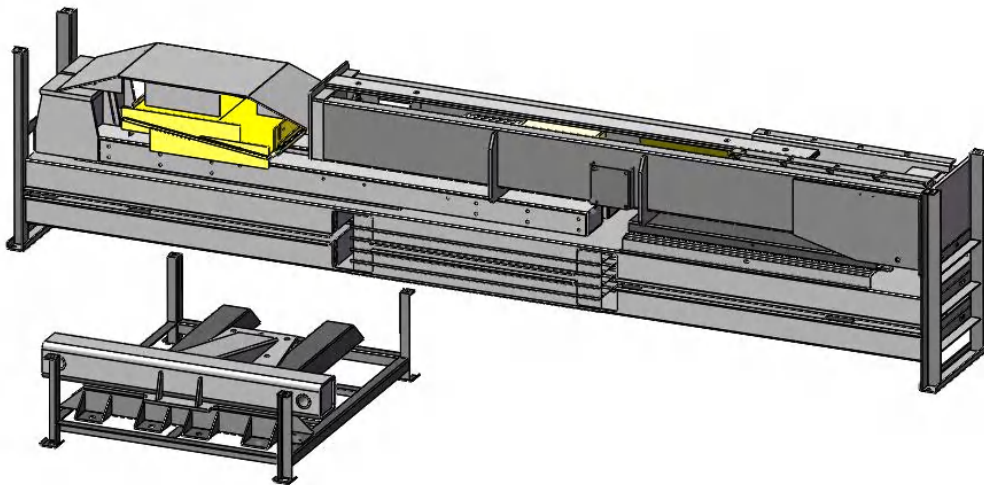


Fig.7

2. Move the lift aside with a forklift or hoist, open the package and take off the post with forklift. **(See Fig. 8)**

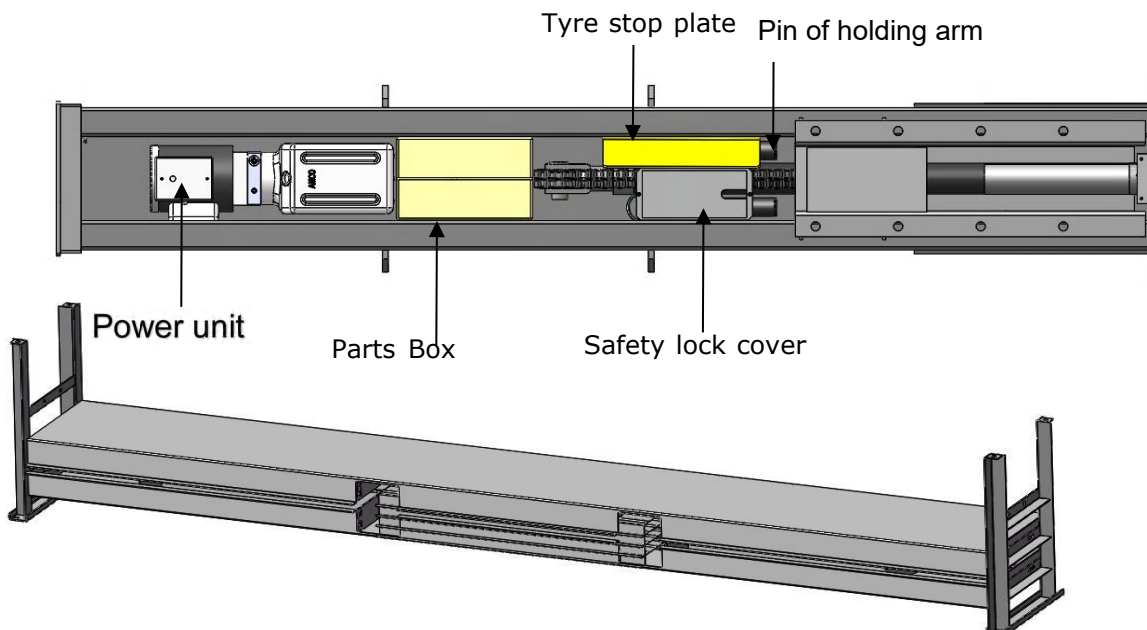
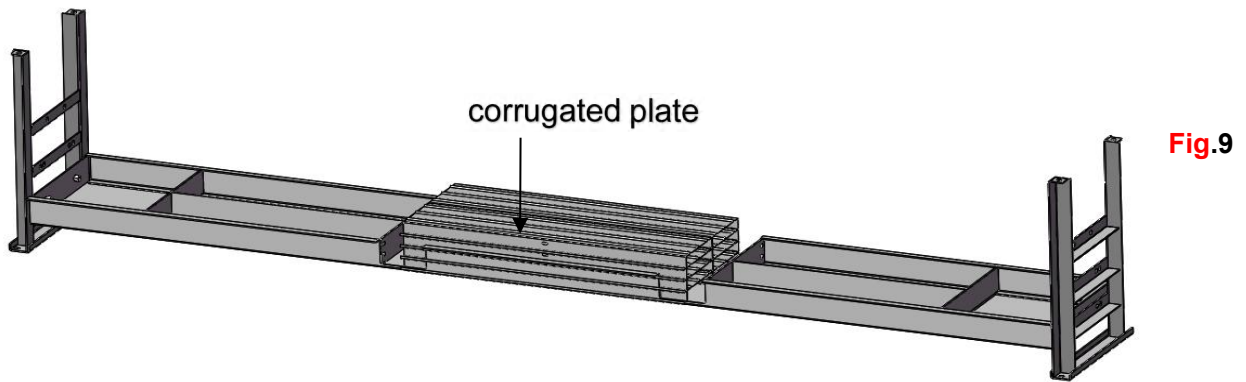
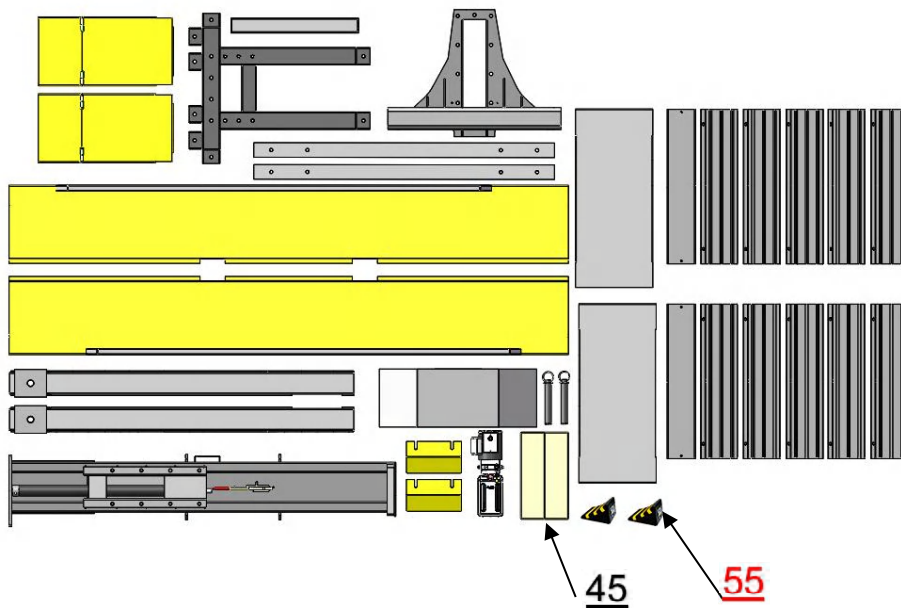


Fig.8

3. Take off bolts on upper platform → Move away the upper platform → Move aside the parts inside the lower platform → Take off the packing rack. **(See Fig. 9)**



4. Move aside the parts and check the parts according to the shipment parts list. **(See Fig.10)**



5. Check the parts of the parts box according to the parts box list. **(See Fig.11)**



Fig.11

6. Check the parts of the parts bag according to the parts bag list (See Fig. 12)

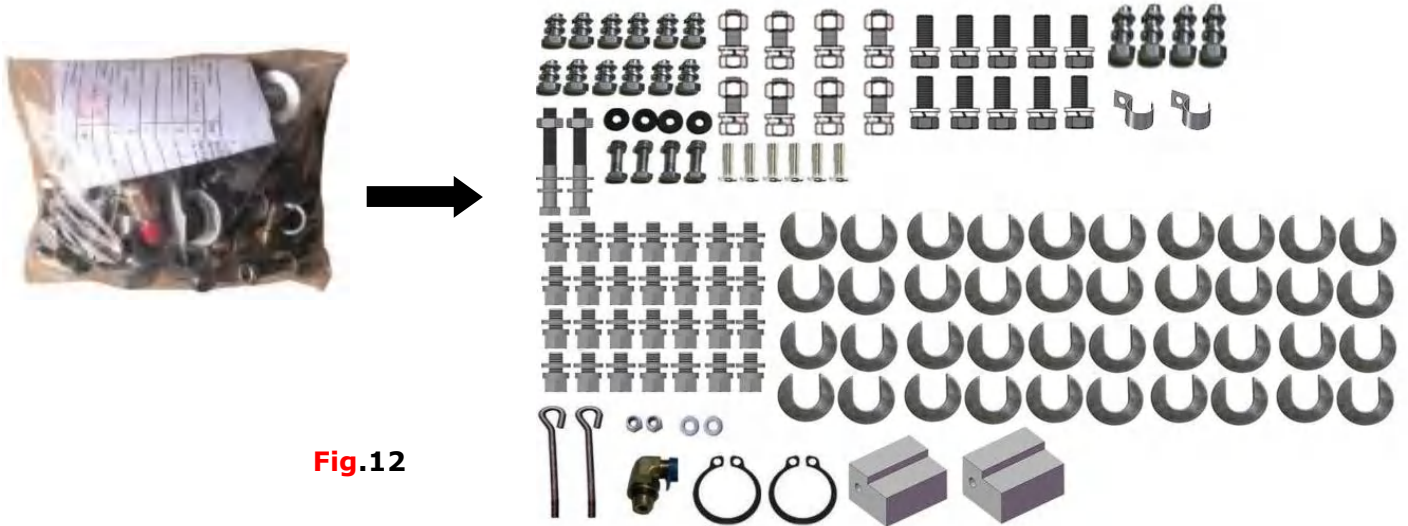


Fig.12

C. Lay the base flat to the ground, confirm installation place according to the ground state. (See Fig.13)

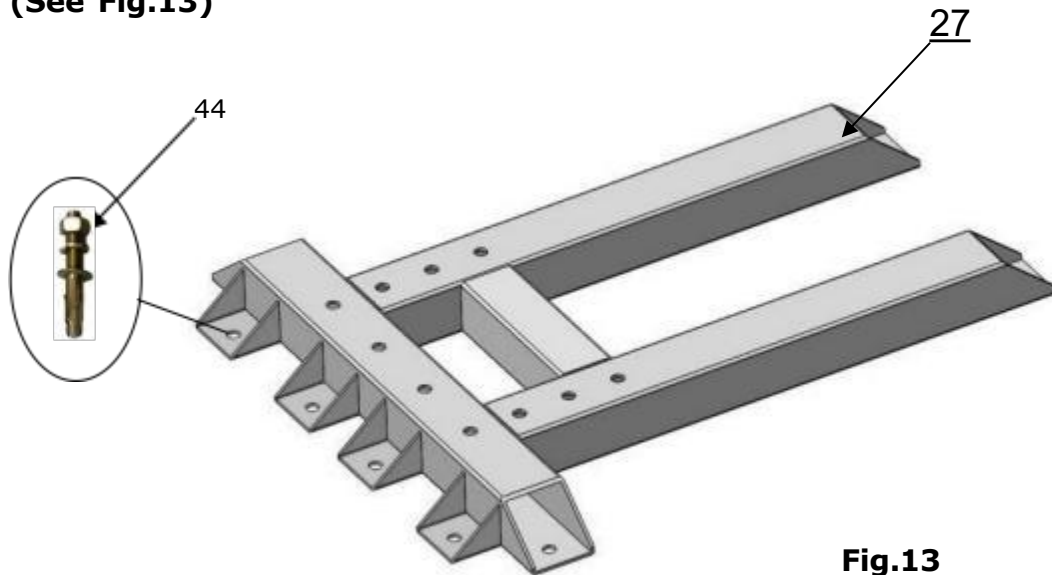


Fig.13

D. Install anchor bolts

Using the prescribed rotary hammer drill, and drill all the anchor holes and install the anchor bolts. Then tighten the anchor bolts (See Fig. 14)

Note: Torque of Anchors is 150N.m(1328lbf.n). Minimum embedment of Anchors is 4 3/8".

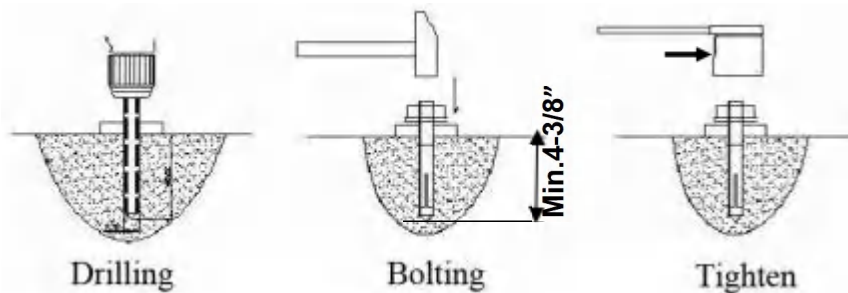


Fig.14

E. Install column and lift platform

1.Lay the column flat to the ground. (See Fig.15)

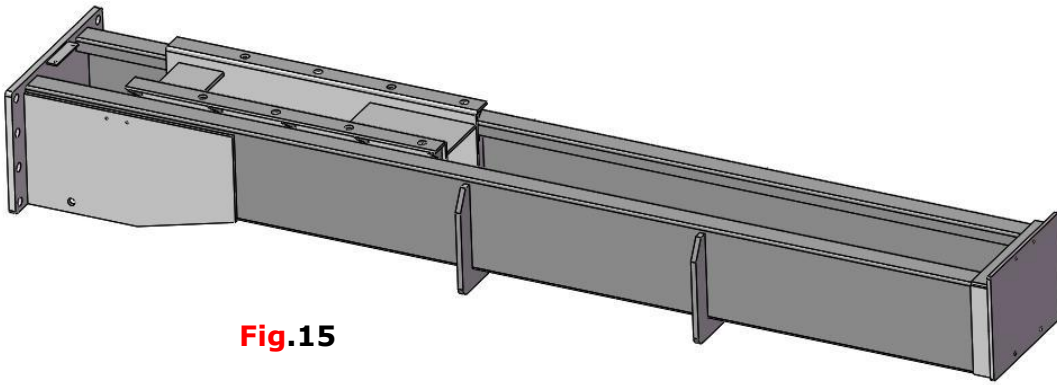
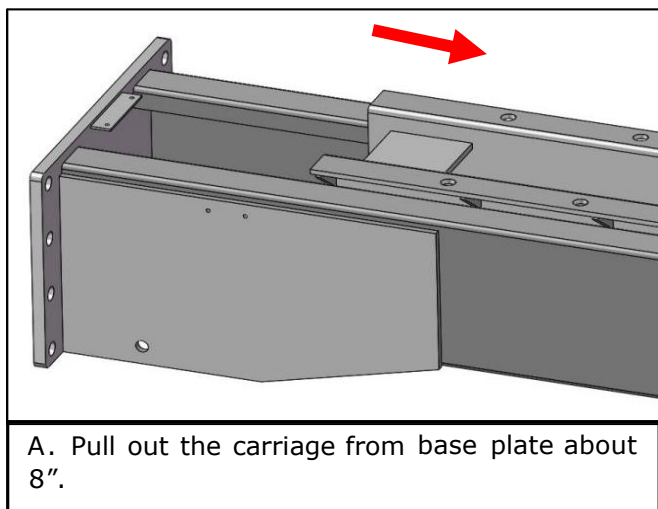
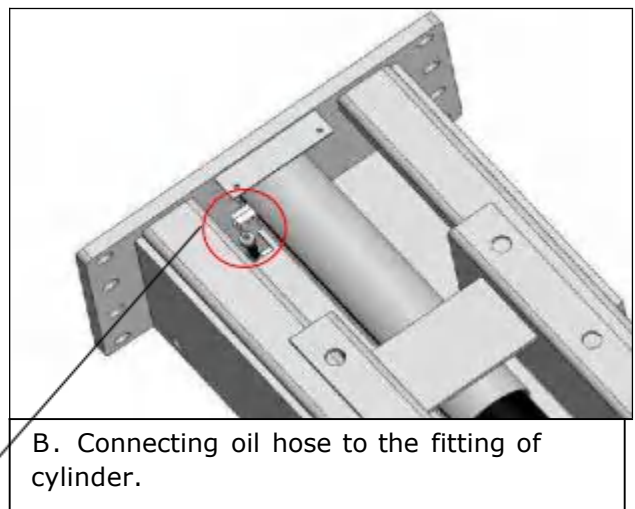


Fig.15

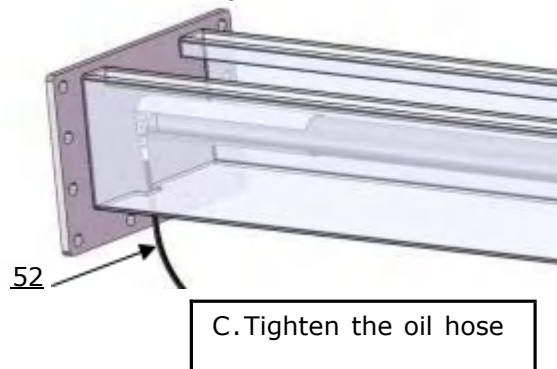
2.Connecting oil hose of cylinder. (See Fig.16)



A. Pull out the carriage from base plate about 8".



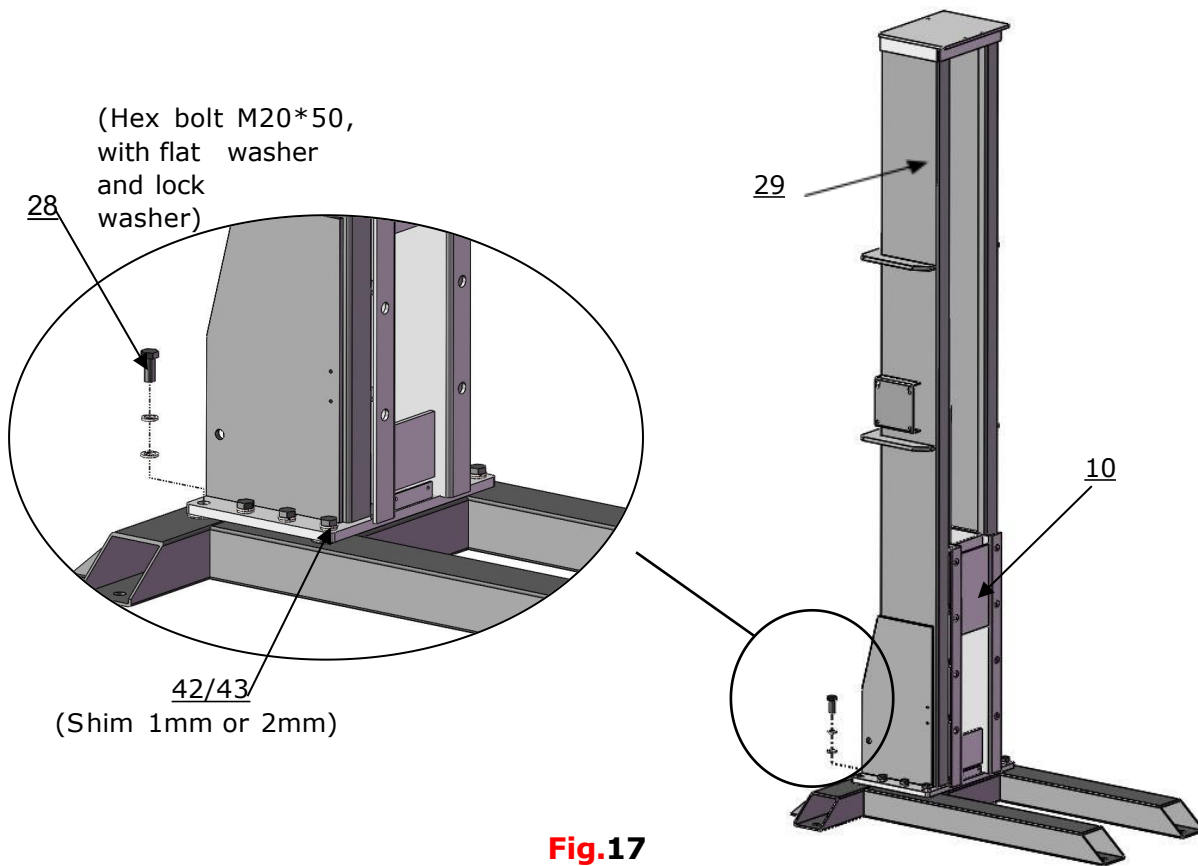
B. Connecting oil hose to the fitting of cylinder.



C. Tighten the oil hose

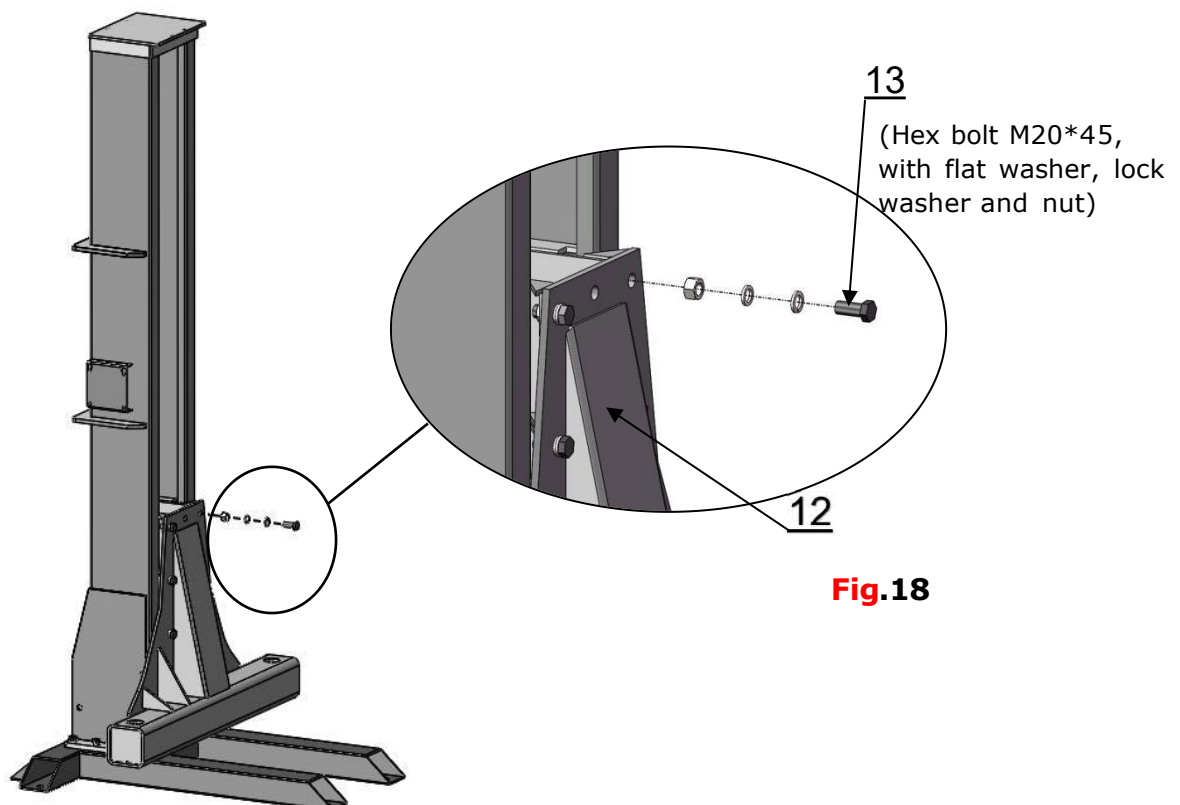
Fig.16

3. Position the column onto the base, align the mounting holes, and install with bolts. Check the column plumbness with level bar, adjust with shims if necessary.. (See Fig.17)

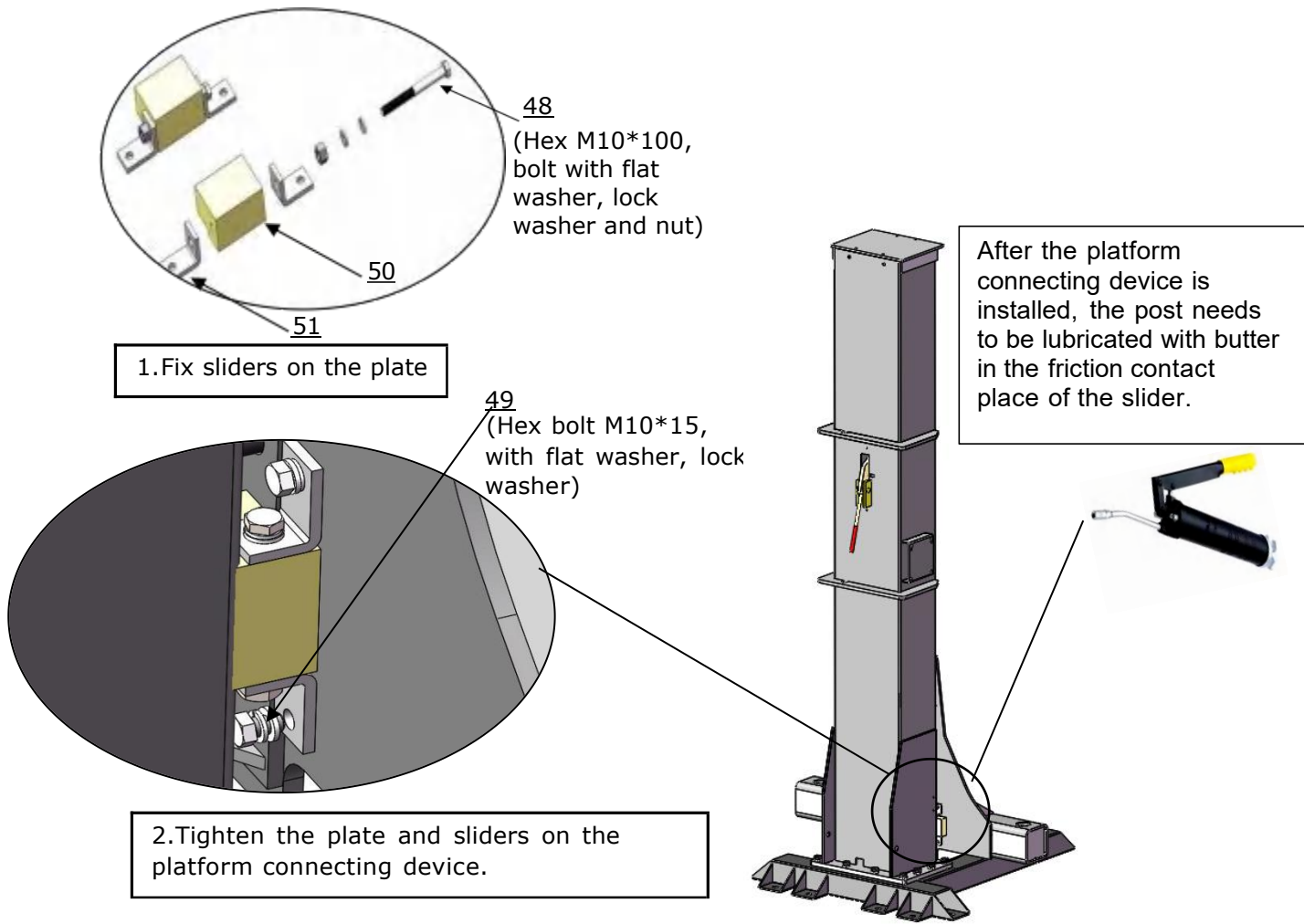


F. Install platform connecting device

1. Install the platform connecting device to carriage.(See Fig.18)



2. Fix the sliders on the plate, then tighten the plate and sliders on the platform connecting device. **(See Fig.19)**



G. Install power unit, oil hose, wire clip.

1. Install power unit. (See Fig.20)

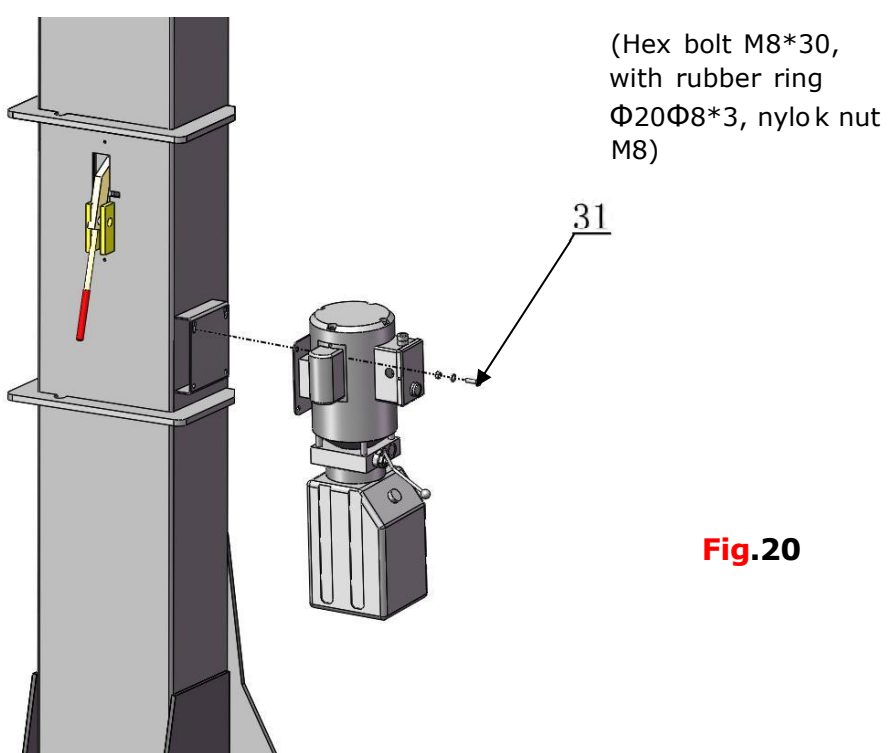


Fig.20

2. Install oil hose. (See Fig.21)

Install the 90° fitting on the power unit first, then connect the cylinder oil hose to this fitting.

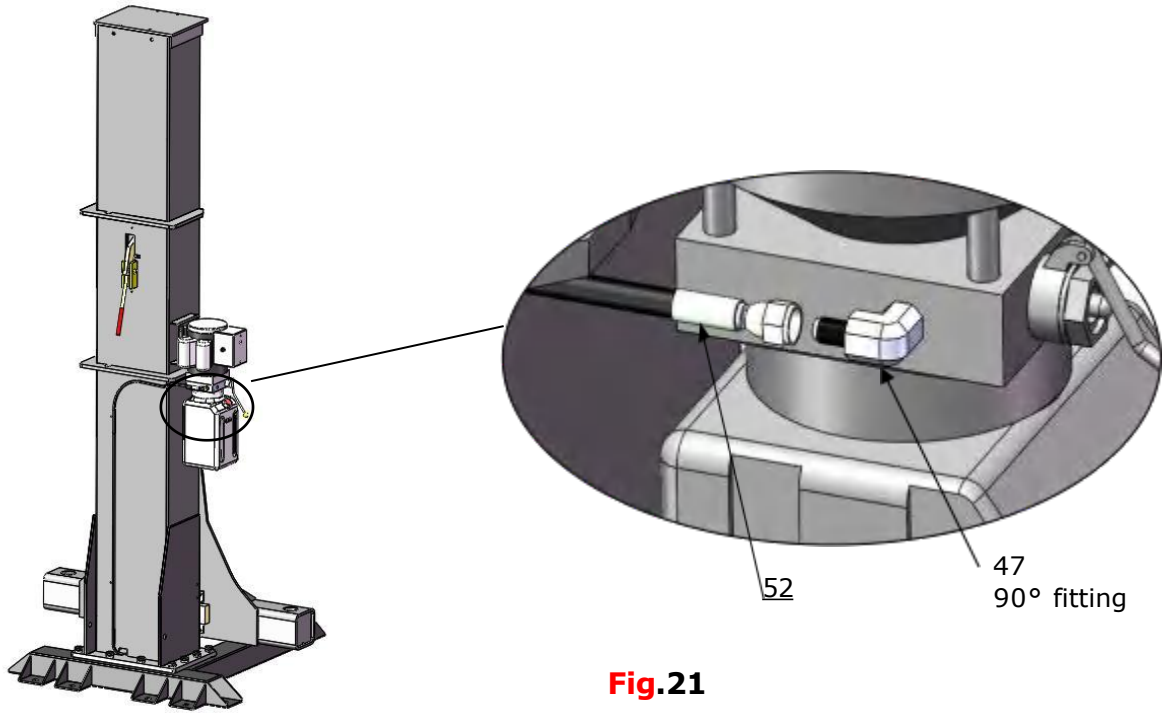


Fig.21

3. Install wire clip. (See Fig.22)

(Round head bolt M6*8,
with flat washer $\Phi 6$)

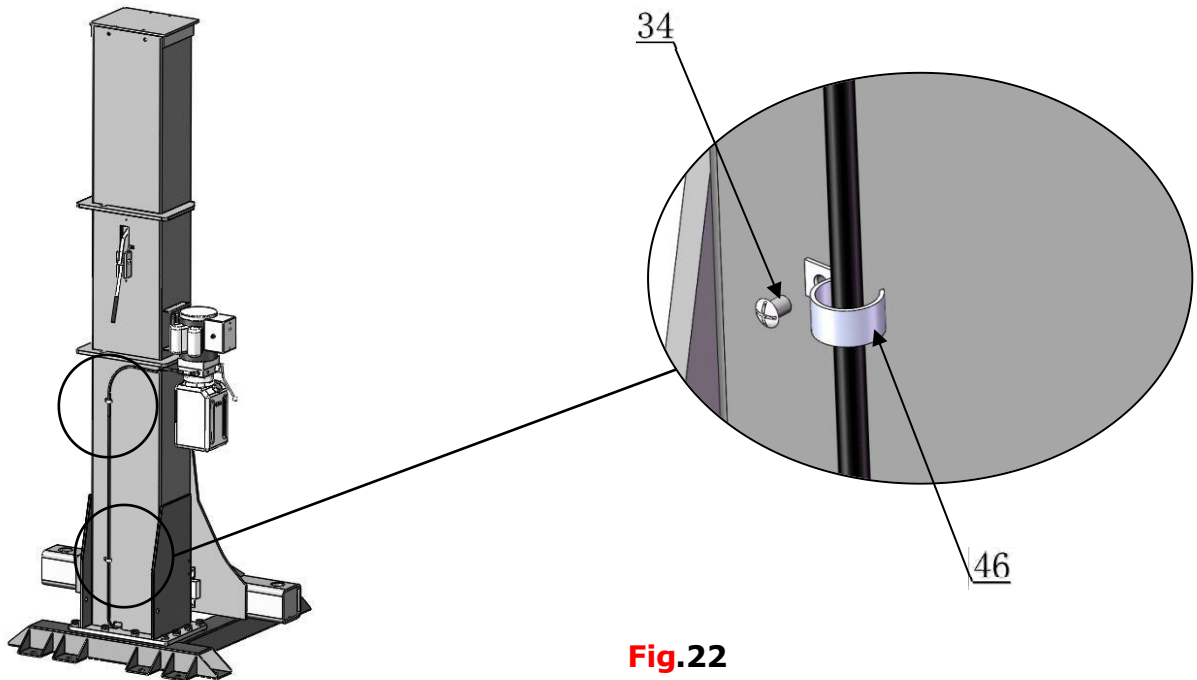


Fig.22

Note: Tighten all the oil pipe joints in case leaking.

4. Fill the power unit with hydraulic oil (to ensure the service life of the hydraulic system and ensure the best operation of the equipment, please add No. 46 high-quality anti-wear hydraulic oil).

H. Connect the power with schematic circuit diagram according to the requirement on the motor plate.

Note : To ensure the safety of operators, the lift must be grounded. Test the lift after installation to check if works fine.

Single phase motor (See Fig.23)

Connect the two hot wires of power supply respectively to the terminals of AC contactor marked L1 and L3. Connect the ground wire to ground terminal. (Refer to the circuit diagram on the back of the motor box for connection)

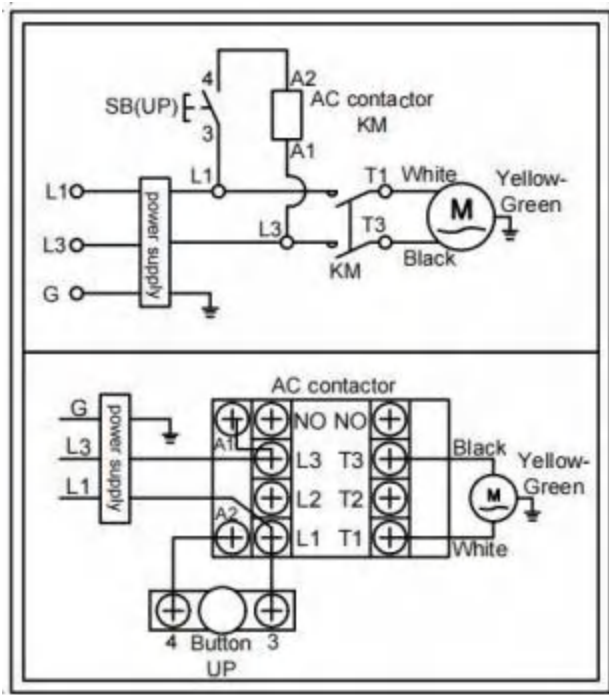


Fig. 23

I. Install lifting arms (See Fig.24)

Lifting the carriage to appropriate position, insert the left and right holding arm to the square tube of platform connecting device. Align the holes, insert the pin, last install clip ring at the

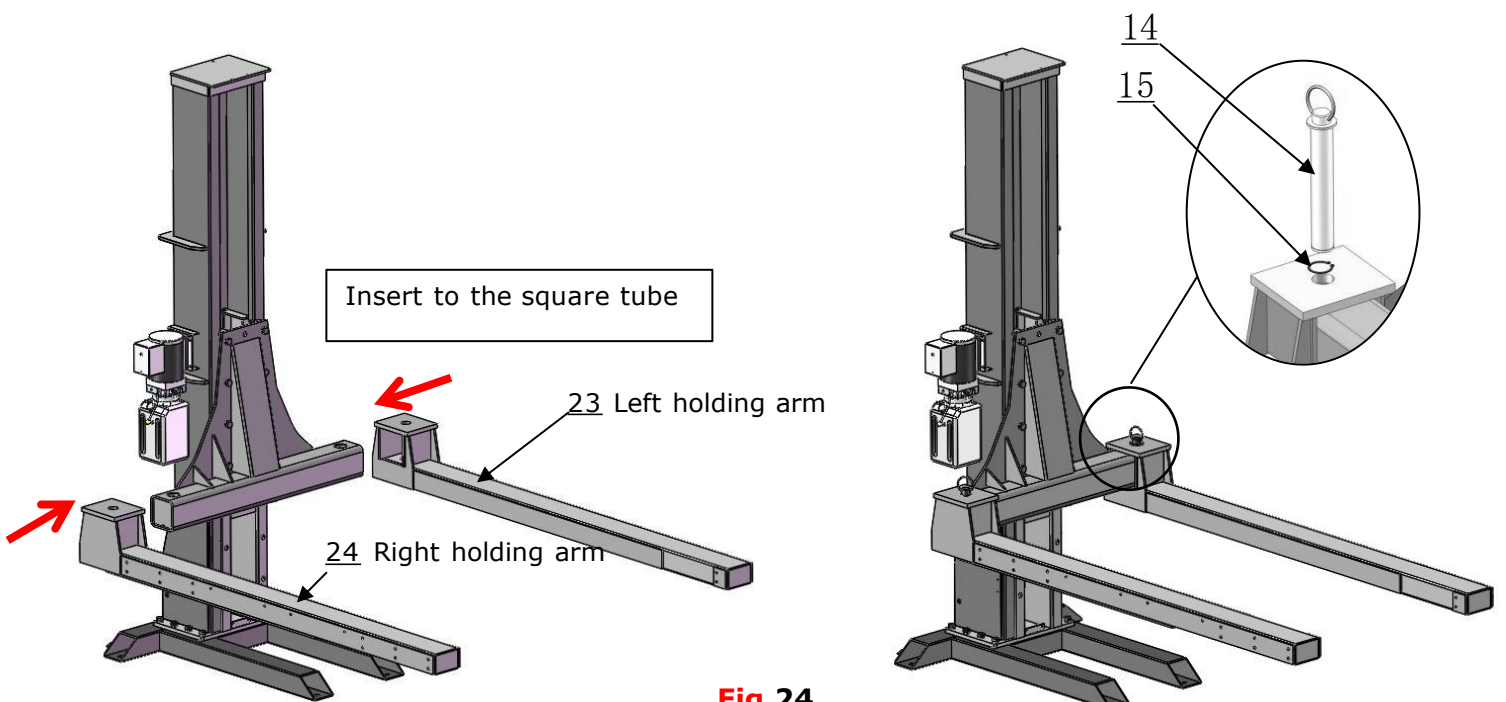
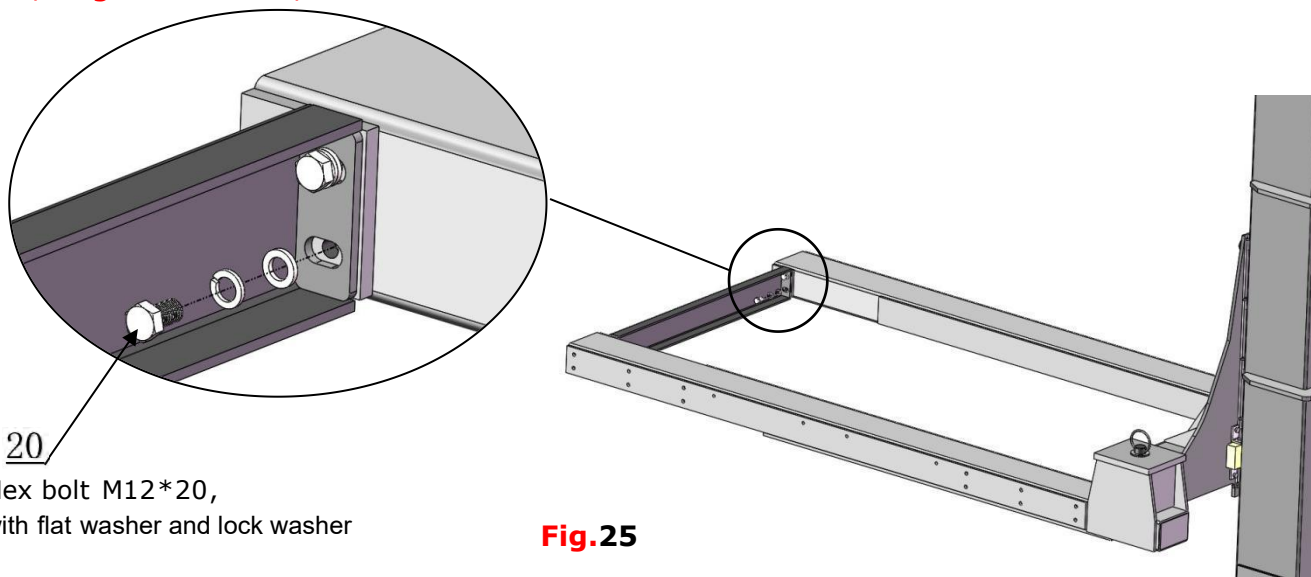


Fig.24

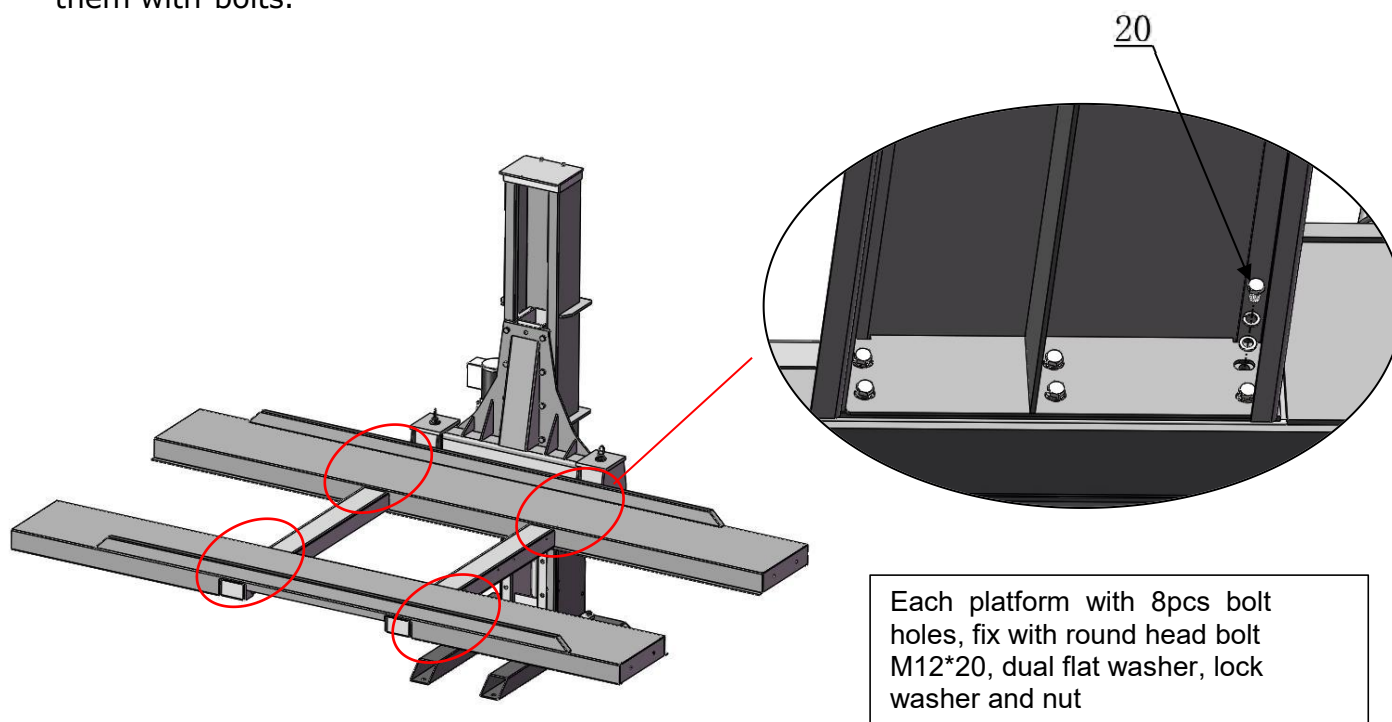
J .Install the connecting parts of the support plate.

Install the support plate connecting parts at the middle position of the two support arms, align bolt holes, and connect them with bolts.



K.Install platform

Lifting the platform on the above of left and right holding arms, align bolt holes, connect them with bolts.



L.Install the connecting plate, drive-in ramp, tire stop plate, platform cover,wave plate, support groove and guidance plate.

1. Install the connecting plate, drive-in ramp, tire stop plate

Install the connecting plate with hex bolt M16*45 (Inc. flat washer, lock washer) to two end of the platform. Do not tighten the bolts. Then hang the drive-in ramp and tire stop plate to the platform. Last, tighten all the bolts. (See Fig.27)

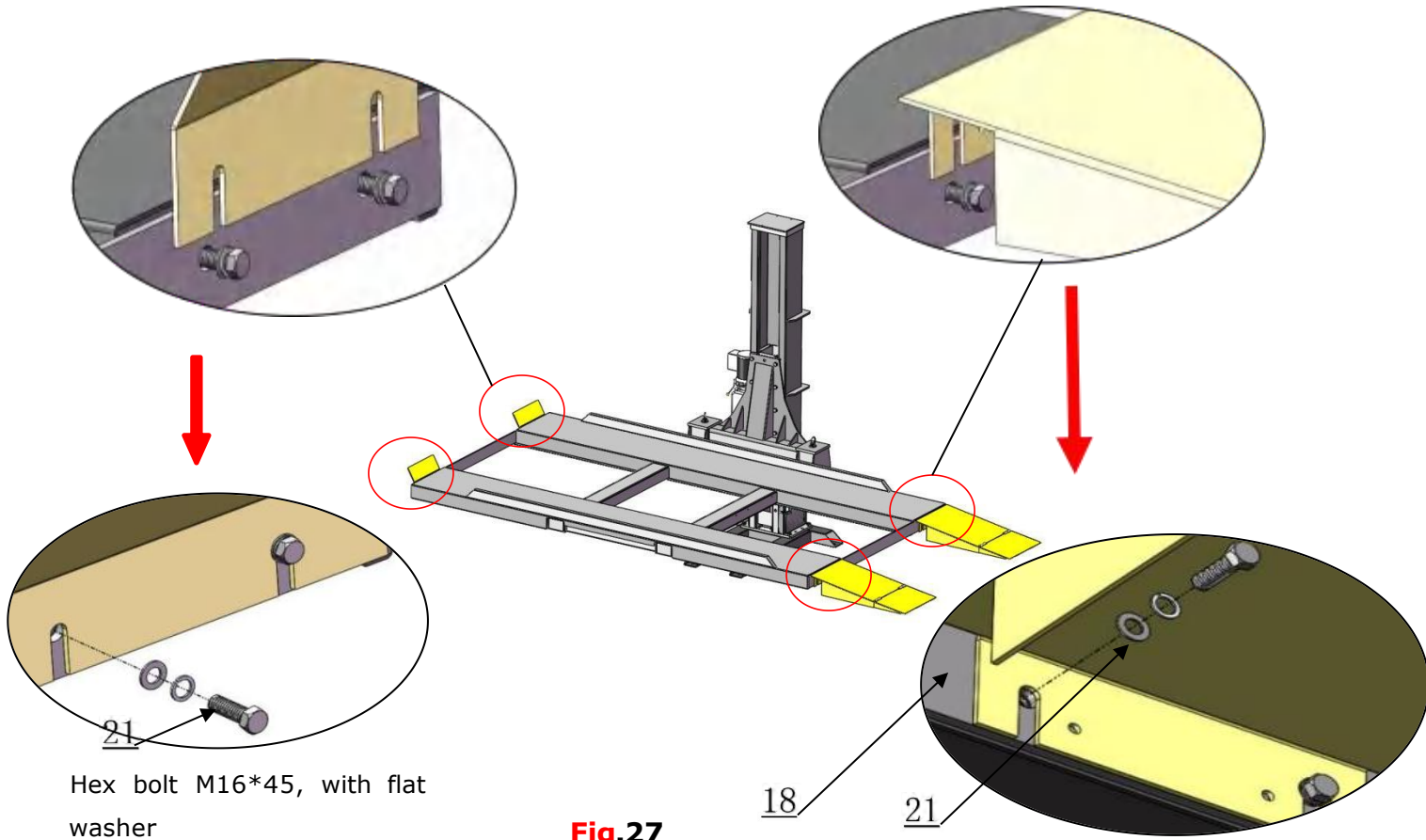


Fig.27

Hex bolt M16*45, with flat washer

Exploded view for folding drive-in ramp assy. (Part No.: 1104533025C)

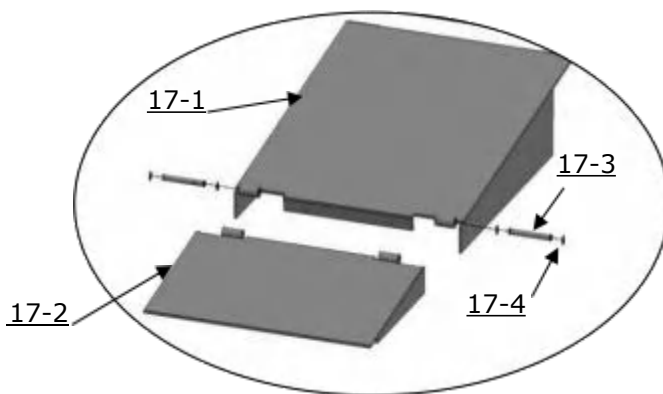


Fig.28

Item	Part No.	Description	QTY.
17-1	1104533025A	Folding drive-in ramp 1	2
17-2	1104533026A	Folding drive-in ramp 2	2
17-3	1104543021	Connecting shaft of drive-in ramp	4
17-4	10209010	Snap ring φ10	8

2. Install platform cover

Fasten two platform covers on the holding arms, connect the covers with hex bolt M10*15, flat washer and lock washer. Don't forget to tighten the bolts finally.

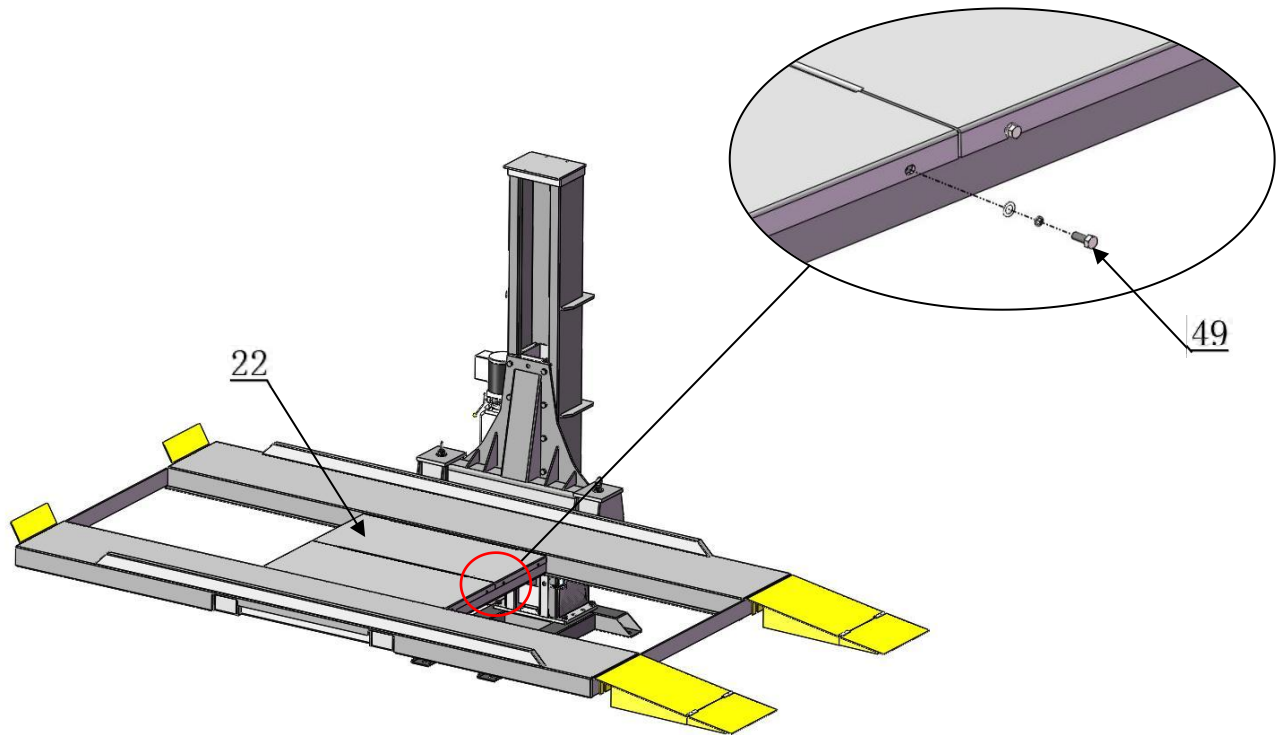


Fig.29

3. Lay wave plates neatly between the two platform in sequence, with a support groove at the end, and do not use screws for connection

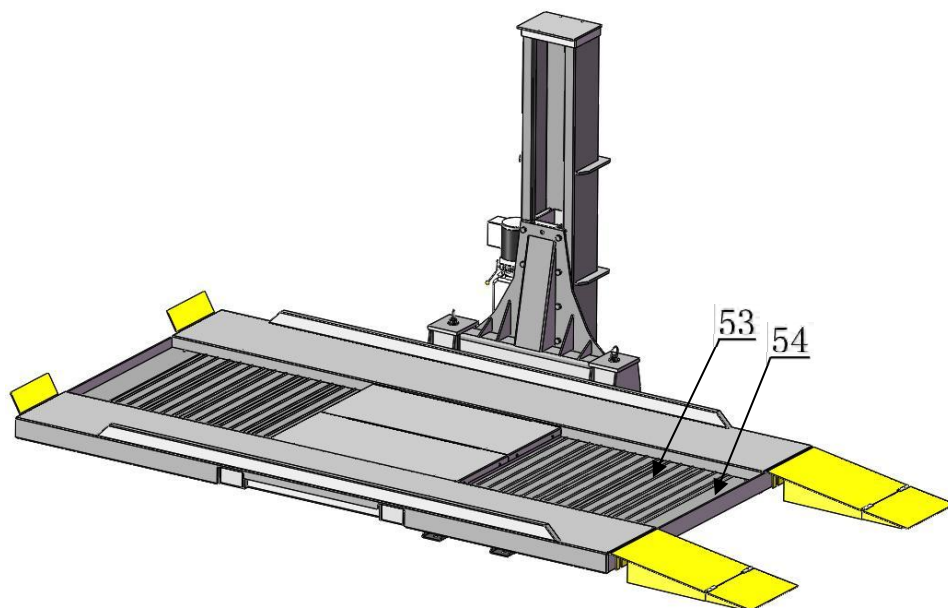


Fig.30

4. Install guidance plate

Insert the guidance plate to the base. (See Fig.31)

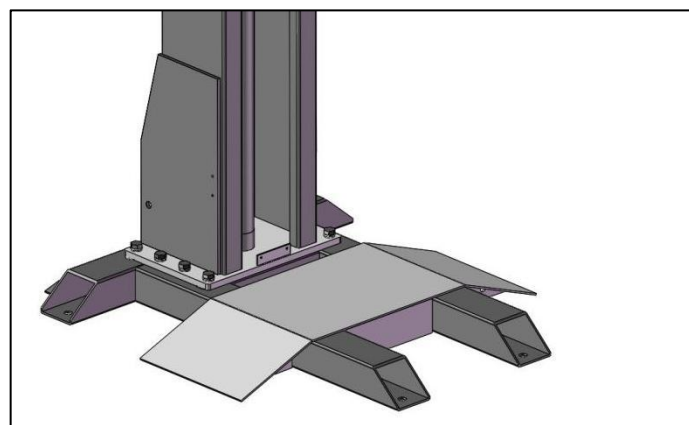
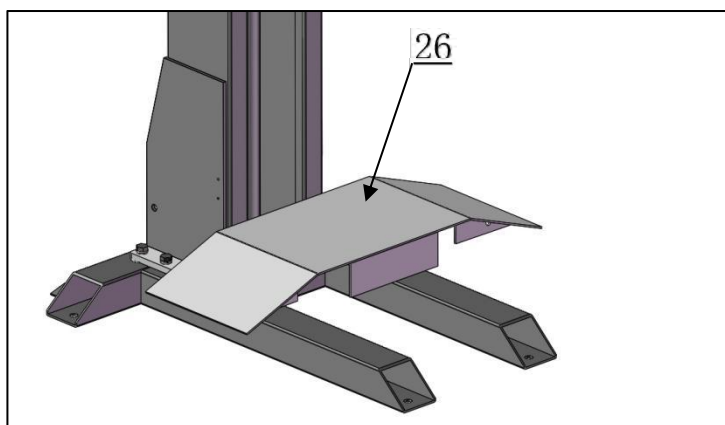


Fig.31

M. Install curtain (See Fig.32)

Follow the steps below to install curtain.

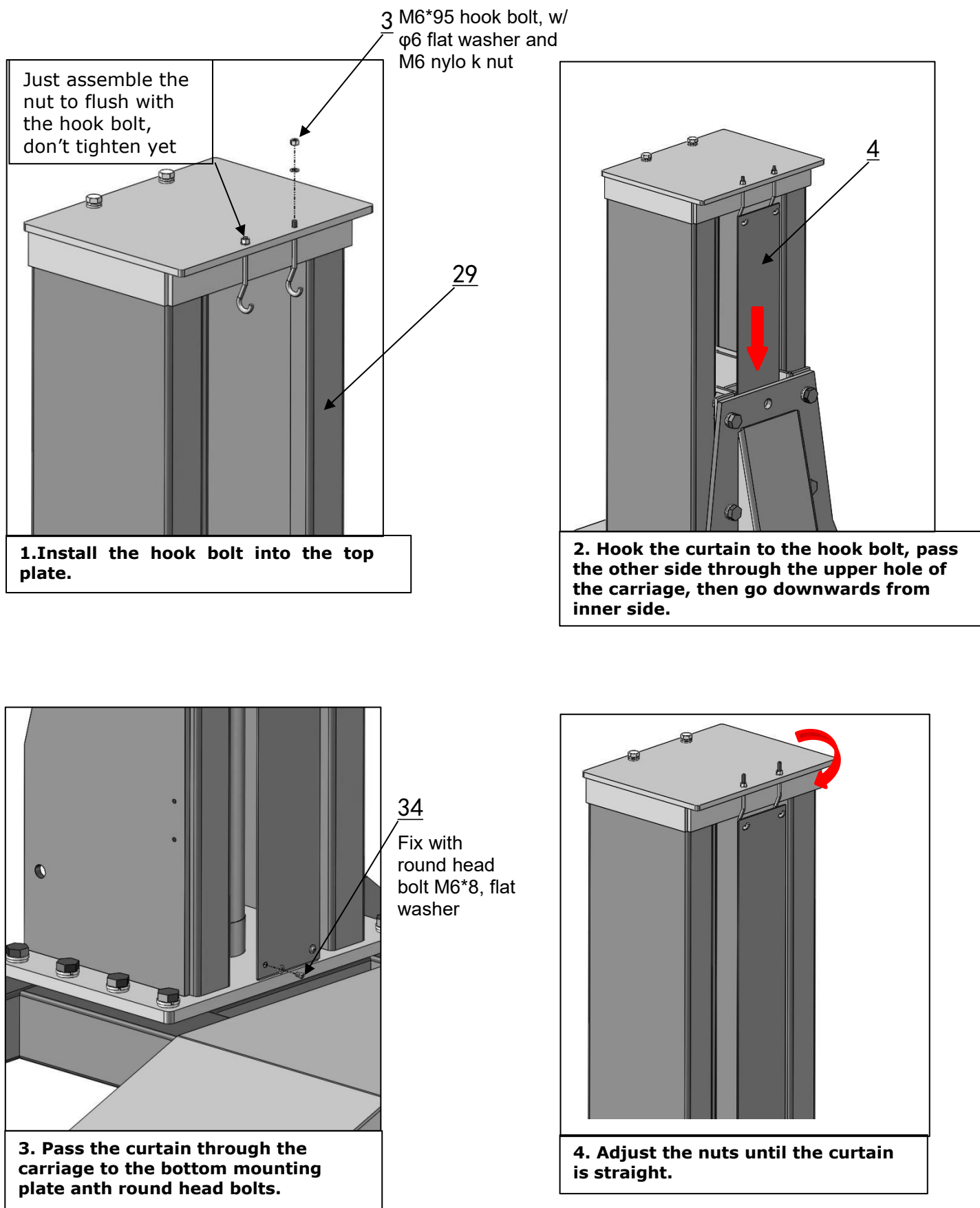
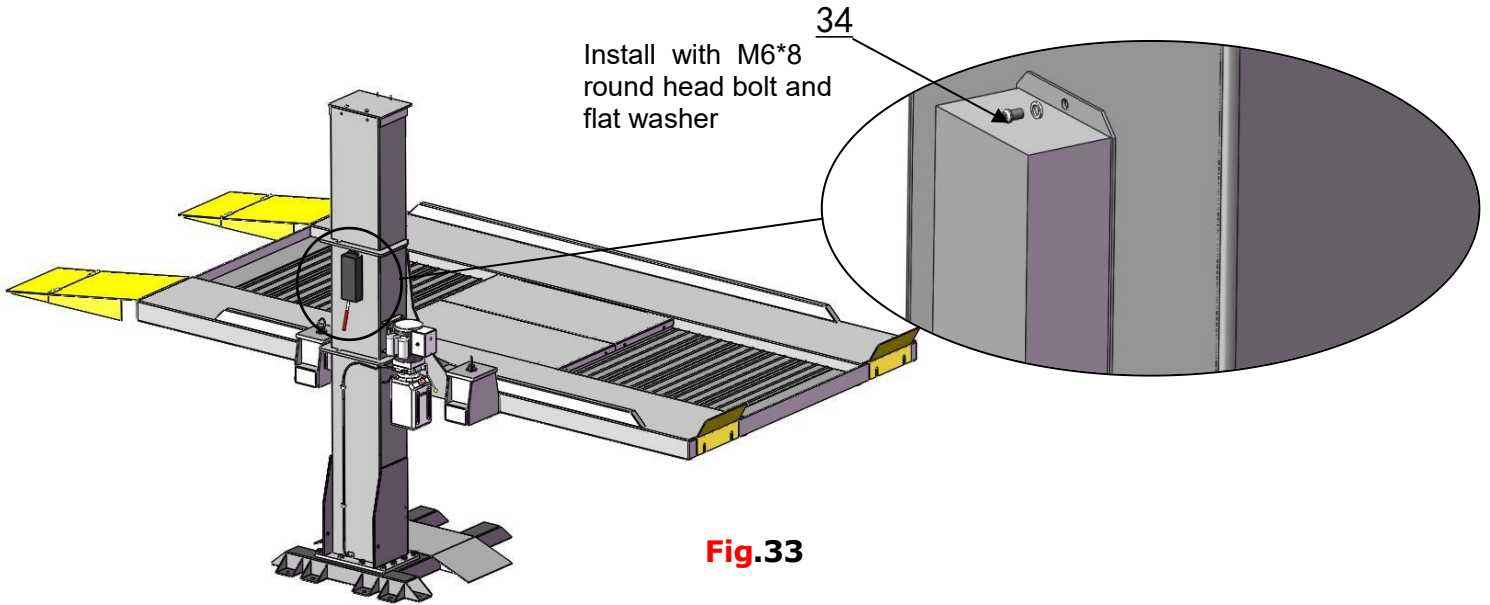


Fig.32

N. Install safety device cover (See Fig.33)



IV. EXPLODED VIEW

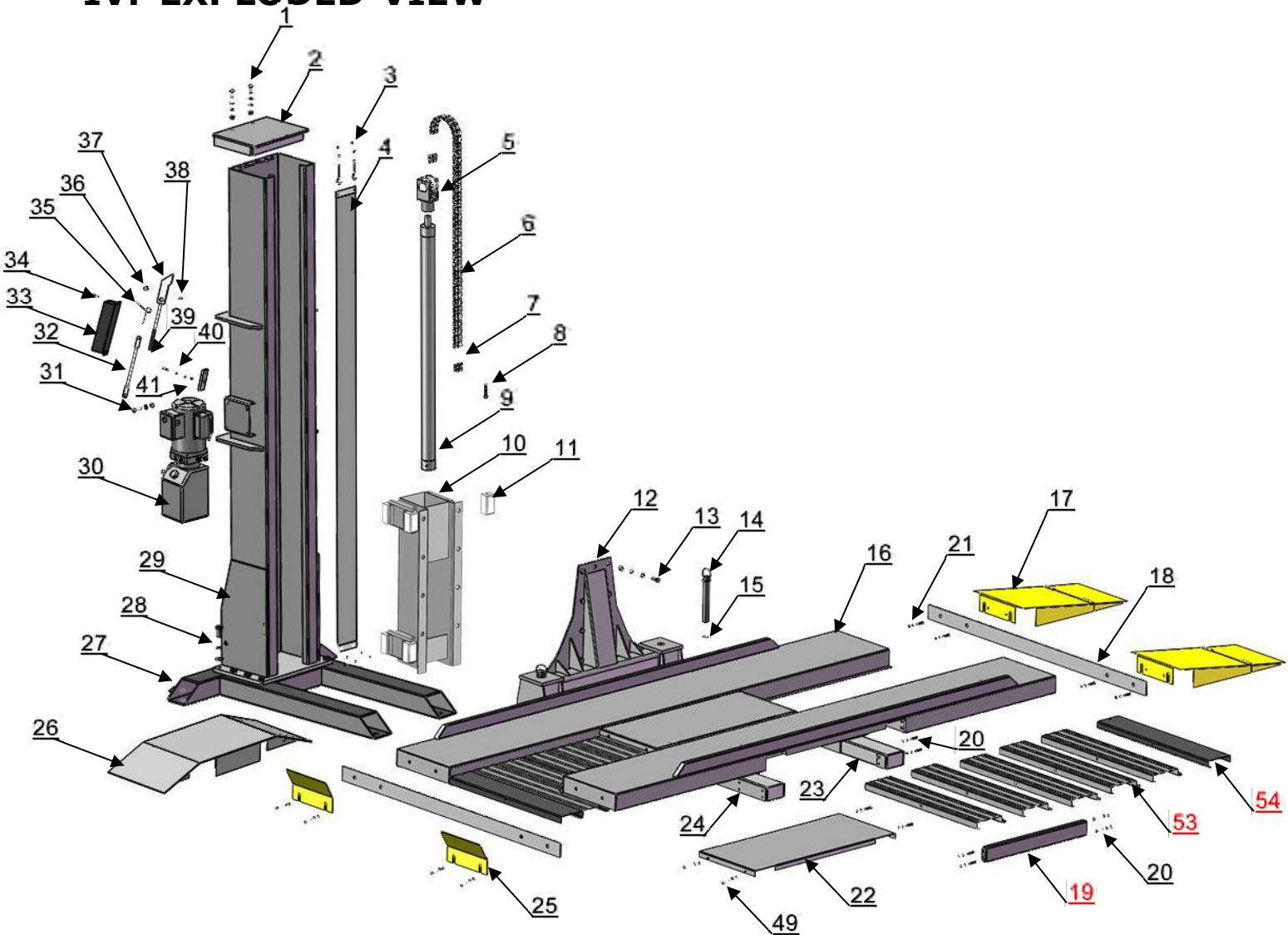


Fig.34

PARTS LIST FOR SPL-7

Item	Part No.	Description	QTY
1	1001085013	Hex bolt M10*30 (With flat washer,lock washer,nut)	2
2	1101081004A	Top plate	1
3	1101085015	Hook bolt M6*95 with flat washer $\phi 6$, Nylok Nut M6	3
4	11101042-01	Curtain cover L=2580mm	1
5	10207681-01	Chain pulley seat assy.	1
6	10101007	Chain	1
7	10201010A	Connector	2
8	10201005	Cotter pin	1
9	C804207	Cylinder Assy.	1
10	1101082023A-02	Carriage	1
11	1002755015	Slider	8
12	1101082001A-01	Platform	1
13	1001085008	Hex bolt M20*45, flat washer $\phi 20$, lock washer $\phi 20$, nut M20	8
14	1101082009A	Pin of holding arm	2
15	10206033	Clip ring	2
16	1101082013A-02	Platform	2
17	1104533025C	Folding drive-in ramp	2
18	1101082055	Connecting plate	2
19	1101082062A	Support plate connecting parts	1
20	1004574017	Hex bolt M12*16, flat washer $\phi 12$, lock washer $\phi 12$	28
21	1001085019	Hex bolt M16*45, flat washer $\phi 16$, lock washer $\phi 16$	8
22	1101082064	Platform cover	2
23	1101082003B-02	Left holding arm	1
24	1101082003A-02	Right holding arm	1
25	1101082018	Tyre stop plate	2
26	1101082024A	Guidance plate	1
27	11101023-01	Base	1
28	1001085005	Hex bolt M20*50, flat washer $\phi 20$, lock washer $\phi 20$	10
29	10101101001A	Post	1
30	071103	Manual power unit	1
31	1001085009	Hex bolt M8*30, black rubber ring 8*20*3, nylok nutM8	4
32	11203784	Coupling bar	1
33	11209008	Safety device cover	1
34	1001085016	Round head bolt M6*8, flat washer $\phi 6$	6
35	10209007	Spring 120°	1
36	11206002	Pin of safety block	1
37	11203263	Safety device	1

Item	Part No.	Description	QTY
38	10209012	Snap ring	1
39	10206003	Rubber sleeve	1
40	1001085014	Hex bolt M6*20, flat washer φ6, lock washer φ6 and nylok nut M6	1
41	11203261	Safety block	1
42	10201090	Shim 1mm	20
43	10620065	Shim 2mm	20
44	10201140	Anchor bolt 3/4 " *6-1/2 "	8
45	1001085015	Parts box	1
46	11217048	Wire clip	2
47	10201020	90° fitting of cylinder 3/8NPT(M)*1/4JIC(M)	1
48	1101085006	Socket bolt M10*100, flat washer φ10, lock washer φ10, nut M10	2
49	1101085007	Hex bolt M10*15, flat washer φ10, lock washer φ10	12
50	1001082002	Slider	2
51	1101082027	Slider fixing plate	4
52	10101027	Oil hose L= 1602mm	1
53	1004244001	Wave plate	10
54	1101082065	Support groove	2
55	40811	Tire stop plate	2

1. Cylinder exploded view C804207 (Old code 10207010) :

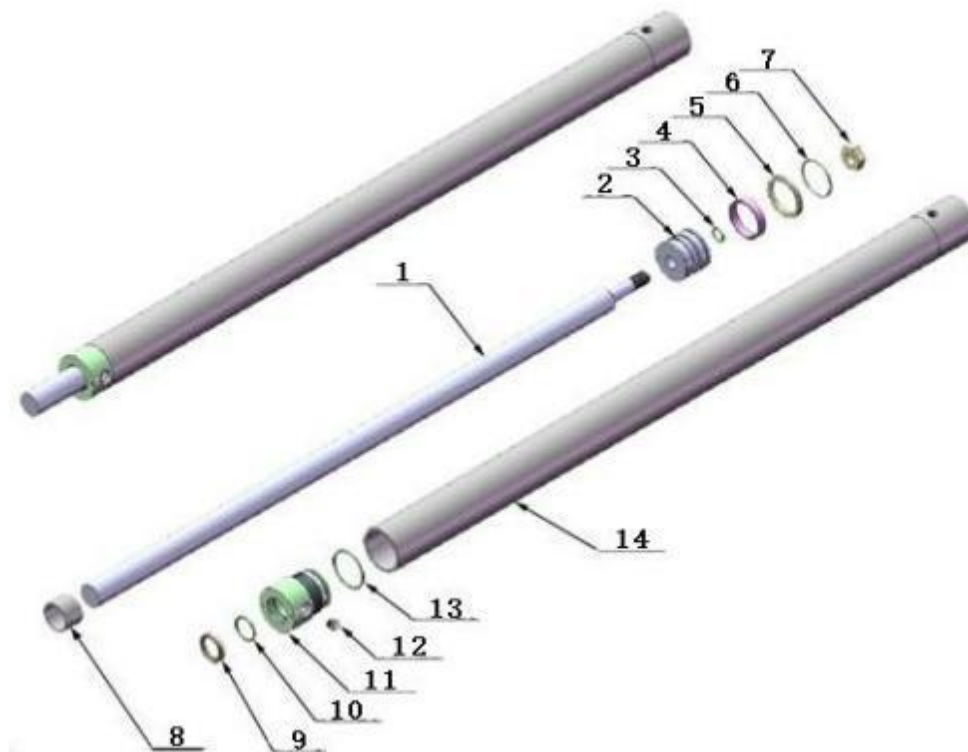


Fig. 35

Item	Part No.	Description	QTY.
1	11207027	Piston rod	1
2	11207028	Piston	1
3	10206069	O-ring	1
4	10620053	Support ring	1
5	10620054-01	Y-ring	1
6	10630027	O-ring	1
7	10206071	Hex nut	1
8	11207029	Cylinder adjusting sleeve	1
9	10217078	Dust ring	1
10	10520058	O-ring	1
11	11207030	Head cap	1
12	10201034	Bleeding plug	1
13	10207031	O-ring	1
14	11207032	Bore weldment	1

2. Chain pulley seat assy. (11207681-01) exploded view:

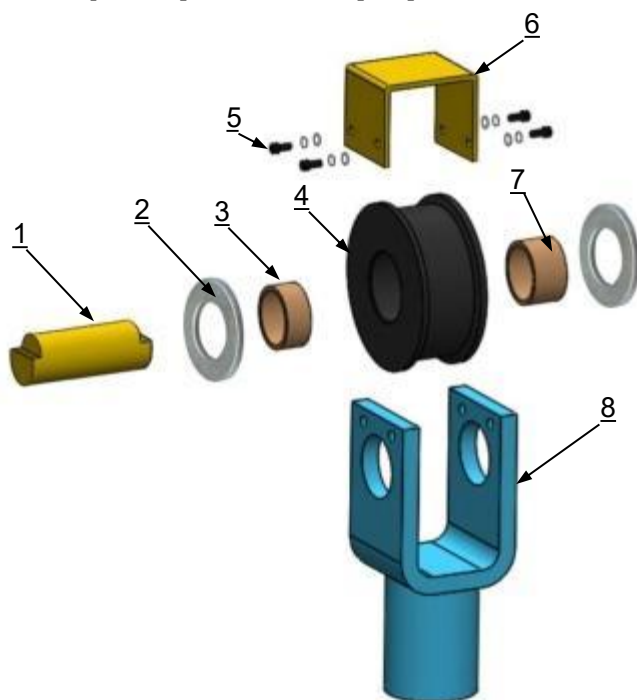
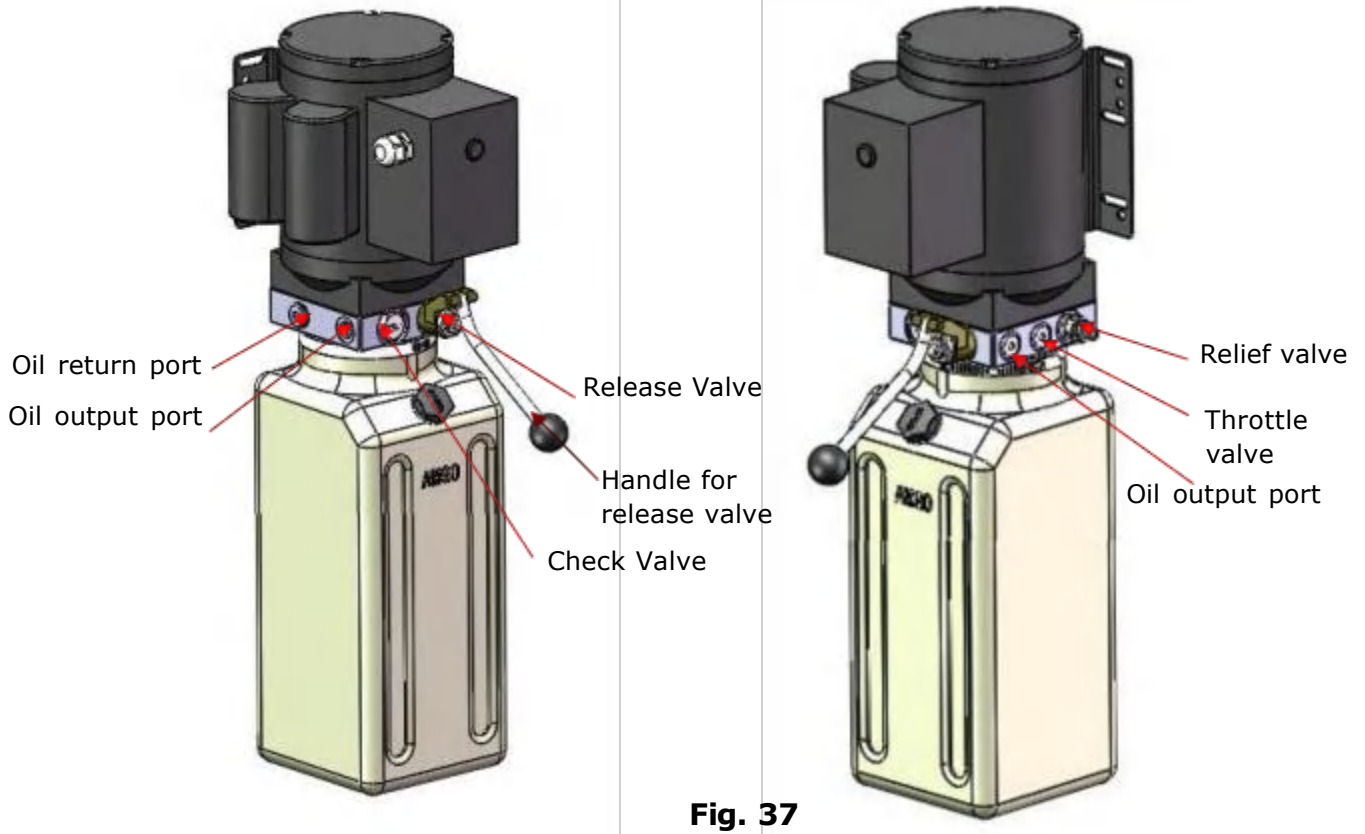


Fig. 36

Item	Part No.	Description	QTY.
1	11207006-01	Pin for Chain Pulley	1
2	11530023	Flat washer	2
3	10420132A	Bronze bush	1
4	11207007	Chain pulley	1
5	1002205003	M6*15 hex bolt w/ flat washer, lock washer	4
6	11207693-01	Chain limit block	1
7	10530042	Bronze bush	1
8	11207008-01	Chain pulley seat	1

3.Illustration of hydraulic

Valve for hydraulic power unit



V. TEST RUN

1. Adjust the lower speed (Fig.38)

You can adjust the lower speed of the lift if needing: Turn the Throttle Valve in clockwise direction to decrease the lower speed, or increase the speed in counterclockwise direction.

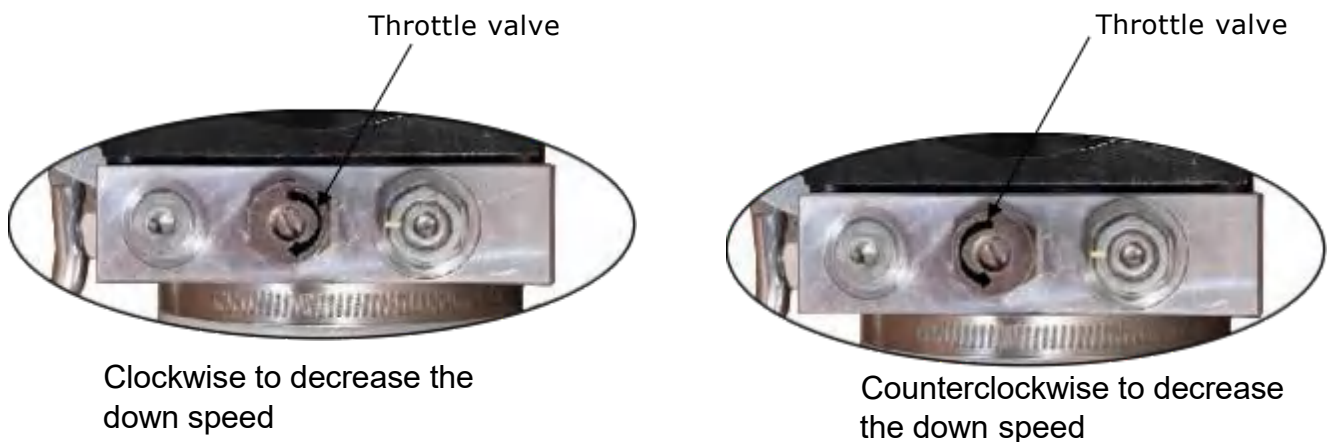


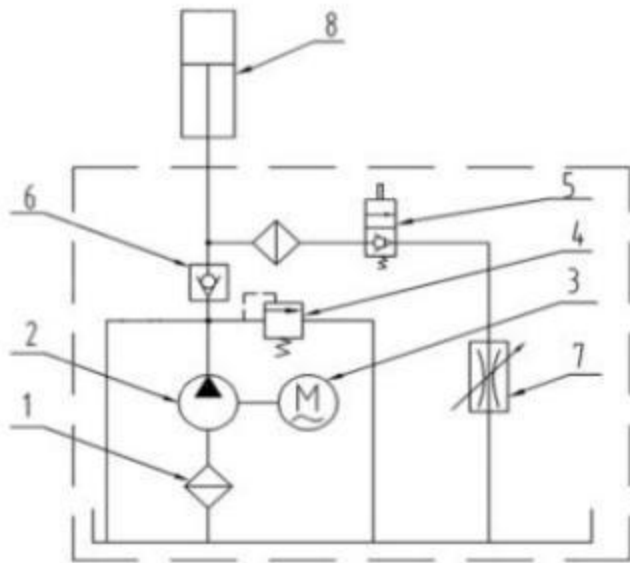
Fig.38

2. Test with load

A test with load should be conducted after the above adjustments have been completed. Run the lift at low level several times first, when there is no other abnormal phenomenon, run the whole process. Repeat the above adjustment if there is any abnormal phenomenon.

Tips: There will be vibration during the first operation without load, load and run several times, the vibration will disappear naturally after the air in the hydraulic system is exhausted!

Hydraulic Schematic Diagram



1. Filter
2. Gear pump
3. Motor
4. Relief valve
5. Release valve
6. Check Valve
7. Throttle valve
8. Cylinder

Fig.39

⚠ WARNING Do not lift vehicles that exceed the rated capacity of the lift. Please do not release the safety handle until the lift safety lock is locked. Only trained personnel are authorized to operate the lift.


VI. OPERATION INSTRUCTIONS

To lift vehicle

1. Keep operation site clean;
2. Lower the lifting arm to the lowest position;
3. Drive the vehicle onto the platform;

To lower vehicle

1. Clear obstructions around and under the lift and keep people away from the lift;
2. Push **UP** button to raise the vehicle slightly to unlock the safety device, then unlock the safety device, lower the vehicle by pushing the release handle on the power unit ;
3. Drive away the vehicle.

 **WARNING** It is unsafe to work when the lift without locking at safety device after it has been raised. The vehicle may fall, potentially causing damage the vehicle and lift, even causing injury or death to someone nearby.

VII.MAINTENANCE SCHEDULE

Monthly:

1. Tighten all connecting bolts, torque of anchors is 150N.m;
2. Check all fitting, bolts and pins to ensure proper connections;
3. Lubricate slider, chain with lubricant;
4. Make a visual inspection of all hydraulic hoses/lines for possible wear or leakage;
5. Check safety device and make sure in proper condition;
6. Lubricate all rollers and pins with 90Wt gear oil.


Every six months:

1. Make a visual inspection of all moving parts for possible wear, interference or damage;
2. Check equalizer tension and possible wear of the chain;
3. Check column for plumbness;
4. Check rubber pads and replace as necessary;
5. Check safety device and ensure in proper condition;
6. Check hydraulic oil level of power unit;

Oil cylinder maintenance:


In order to extend the service life of the oil cylinder, please operate according to the following requirements.

1. Recommend to use N46 anti-wear hydraulic oil;
2. The hydraulic oil of the lifts should be replaced regularly during using. Replace the hydraulic oil 3 months after the first installation, replace the hydraulic oil once a year afterwards;
3. Make at least one full trip raising and lowering per day. This can exhaust the air from the system, which could effectively avoid the corrosion of the cylinder and damage to the seals caused by presence of air or water in the system;
4. Protect the outer surface of the oil cylinder's piston rod from bumping and scratching, and timely clean up the debris on the oil cylinder dust-ring and the piston rod.

 **DANGER** Ensure that the lift is completely disconnected from the power supply before performing any maintenance on the lift. If your lift external electrical devices have locks/shutdowns, make sure to implement them before performing any maintenance. If you come into contact with high voltage/current, it may result in injury or even death.

VIII. TROUBLE SHOOTING

TROUBLE	CAUSE	REMEDY
Motor does not run	<ol style="list-style-type: none"> 1. Button does not work 2. Wiring connections are not in good condition 3. AC contractor burned out 4. Motor burned out 	<ol style="list-style-type: none"> 1. Replace 2. Repair all wiring connections 3. Replace 4. Repair or replace
Motor runs but the lift is not raised	<ol style="list-style-type: none"> 1. Release valve out of work 2. Gear pump in damage 3. Relief valve or check valve in damage 4. Low oil level 	<ol style="list-style-type: none"> 1. Repair or replace 3. Repair or replace 4. Repair or replace 5. Fill tank
Lift does not stay up	<ol style="list-style-type: none"> 1. Release valve out of work 2. Relief valve or check valve leakage. 3. Cylinder or fittings leaks 	<ol style="list-style-type: none"> 1. Repair or replace 2. Repair or replace 3. Replace seal kit or fittings.
Lift raises too slow	<ol style="list-style-type: none"> 1. Oil system is jammed 2. Motor running on low voltage 3. Oil mixed with air 4. Gear pump leaks 5. Overload lifting 	<ol style="list-style-type: none"> 1. Clean the oil system 2. Check electrical system 3. Fill tank 4. Replace. 5. Check load
Lift cannot lower	<ol style="list-style-type: none"> 1. Safety devices are locking 2. Release valve in damage 3. Oil system is jammed 4. Hydraulic solenoid valve out of work 	<ol style="list-style-type: none"> 1. Release the safety devices 2. Replace 3. Clean the oil system 4. Replace

 **WARNING** Lifts are dangerous when operated by inexperienced or distracted individuals. Operators must be fully aware that lifting a car is a potentially life-threatening operation, especially if mandatory safety precautions are disregarded.

IX. CAR LIFT SAFETY TIPS

Put this safety tips in a place where you can always alert the operator. Please reference to the

lift manufacturer's manual for specific information about the lift.

1. Check the lift daily. If the machine breaks down or has damaged parts, do not operate, and use the parts of original equipment to repair.
2. Do not overload the lift. The rated weight of the manufacturer design is indicated on the label of the lift.
3. Position control of the vehicle and operation of the lift can only be done by a trained and authorized person.
4. You can not lift a car with people inside. When the lift is working, the customer or other people should not be around the machine.
5. Keep the place around the lift without obstacles, lubricants, grease, garbage and other debris for a long time.
6. Before driving the car into the lift, put the lifting arm and rubber pad in the proper position to ensure barrier-free space. Do not hit or run over the lift arm and rubber pad of the lift, otherwise it will cause damage to the lift machine or the car.
7. Rise the lift to the required height for operation. Note, if you are working under a car, raise the lift high enough and make sure the safety device has locked.
8. Note, removing (or installing) parts from a car can cause a sudden shift of gravity that is unstable for the raised car. Reference to the car manufacturer's service manual as a recommended procedure when removing parts from the car.
9. Before lower the lift , make sure that the tool tray, tool rack, etc. are removed from under the car. Open the lock before lowering the lift.
10. Before removing the car from the lift, put the lifting arm and rubber pad in place to allow an unobstructed way.
11. When not in use, be sure to unplug the lift from the power socket. Never pull the plug out only using the wire. Grab the plug and pull it out to disconnect.
12. To reduce the risk of fire, do not operate the lift near open containers of flammable liquids (gasoline).
13. To reduce the risk of electric shock, do not install and use the lift in wet or exposed to rain.

X. LIFT DISPOSAL

When the car lift cannot meet the requirements for normal use and needs to be disposed, it should follow local laws and regulations.



Address:

SC Division: 1931 Joe Rogers Jr Blvd, Manning, SC 29102, USA

TX Division: 4310 Adler Dr., Suite #200, Dallas, TX 75211, USA

<http://www.amgohyd.com>

Manual No.: **72210506**
Revision Date: **2026/05**