



Forward this manual to all operators. Failure to operate this equipment as directed may cause injury or death.

OPERATION MANUAL / PARTS LIST

**HEAVY DUTY
FLOOR JACK
Model:
RFJ-6HD**



READ FIRST



Do not operate this machine until you read and understand all the dangers, warnings and cautions in this manual.

SHIPPING DAMAGE CLAIMS

When this equipment is shipped, title passes to the purchaser upon receipt from the carrier. Consequently, claims for the material damaged in shipment must be made by the purchaser against the transportation company at the time shipment is received.

BE SAFE

This tool was designed and built with safety in mind. However, your overall safety can be increased by proper training and thoughtful operation on the part of the operator. **DO NOT** operate or repair this tool without reading this manual and the important safety instructions shown inside. Keep this operation manual near the tool at all times. Make sure that ALL USERS read this manual .



1645 Lemonwood Dr.
Santa Paula, CA. 93060, USA
Toll Free: 1-800-253-2363
Tel: 1-805-933-9970
Fax: 1-805-933-9160
www.rangerproducts.com



THIS OPERATING MANUAL CONTAINS IMPORTANT DETAILS CONCERNING THE SAFE OPERATION OF THIS TOOL THE USER MUST READ AND UNDERSTAND THESE DETAILS BEFORE ANY USE OF THE TOOL. THIS MANUAL MUST BE RETAINED FOR FUTURE REFERENCE.

OWNER/OPERATOR RESPONSIBILITY:

The owner and/or operator shall study the product instructions and retain them for future reference.

The owner and/or operator shall have an understanding of the product operating instructions and warnings before operating the jack.

Warning information shall be emphasized and understood. If the operator is not fluent in English, the product instructions and warnings shall be read to and discussed with the operator in the operator's native language by the purchaser/ owner or his designee, making sure that the operator comprehends its contents.



CAUTION!

INSPECTION

Visual inspection should be made before each use of the jack. This inspection should check for abnormal conditions such as cracked welds, leaks, and damaged, loose or missing parts.

Any jack that appears to be damaged in any way, is found to be worn or operated abnormally, must be removed from service immediately.

Any jack that operates abnormally shall be removed from service until repaired by a qualified repair service center.

If the jack is accidentally subjected to an abnormal load or shock, it must be taken out of service immediately and be inspected by a qualified repair or service center.

It is recommended that an annual inspection is performed on the jack and that any damaged or worn parts, decals or warning labels be replaced with manufacturer's specified parts.



WARNING!

ALTERATIONS

Because of potential hazards associated with this type of equipment, no alterations shall be made to the product.

FOR YOUR SAFETY AND TO PREVENT INJURY:

Use Service Jack for lifting purposes ONLY.
Always support vehicle with jack stands.



WARNING!

THIS IS A LIFTING DEVICE ONLY. DO NOT MOVE OR DOLLY THE VEHICLE WHILE ON THE JACK. IMMEDIATELY AFTER LIFTING, SUPPORT THE VEHICLE WITH APPROPRIATE MEANS.

DO NOT EXCEED RATED CAPACITY. OVERLOADING CAN CAUSE DAMAGE TO OR FAILURE OF THE JACK.

LIFT ONLY ON AREAS OF THE VEHICLE AS SPECIFIED BY THE VEHICLE MANUFACTURER.

CENTER LOAD ON SADDLE PRIOR TO LIFTING. OFF-CENTER LOADS MAY CAUSE DAMAGE TO JACK, LOSS OF LOAD, PROPERTY DAMAGE, PERSONAL OR FATAL INJURY.

THIS JACK IS DESIGNED FOR USE ONLY ON HARD LEVEL SURFACES CAPABLE OF SUSTAINING THE LOAD. USE ON OTHER THAN HARD LEVEL SURFACES CAN RESULT IN JACK INSTABILITY AND POSSIBLE LOSS OF LOAD.

NO ALTERATIONS TO THE JACK SHALL BE MADE.

READ, STUDY AND UNDERSTAND THE OPERATING MANUAL PACKED WITH THIS JACK BEFORE OPERATING.

FAILURE TO HEED THESE WARNINGS MAY RESULT IN LOSS OF LOAD, DAMAGE TO JACK, AND/OR FAILURE RESULTING IN PROPERTY DAMAGE, PERSONAL OR FATAL INJURY.

ASSEMBLY INSTRUCTIONS

1. Remove 2-piece handle from box. Insert narrow portion of top section (17) into bottom section (15) and secure with bolt (16) provided.
2. Then, slightly press down on the handle yoke assembly to release pressure on the handle yoke assembly retainer and remove retainer. This will allow handle yoke to be raised to operating position.
3. Grease handle receptacle and insert slotted end of handle into place. Tighten set screw (13) to secure handle.

OPERATING INSTRUCTIONS

BEFORE USE:

Air may become trapped in the hydraulic system during transit. To purge air:

1. Open release valve by turning handle counterclockwise.
2. Pump handle rapidly 4 full strokes. This will expel air that may have entered oil passages during transit.
3. Close release valve by rotating handle clockwise and pump handle.
4. If lift arm is raised, jack is ready for use. If not, repeat this procedure.

IMPORTANT:

Before attempting to raise any vehicle, check vehicle service manual for recommended lifting surfaces.

OPERATION:

1. To Raise Load: Close release valve tightly (by turning handle clockwise). **DO NOT OVERTIGHTEN.** Position jack under load so that saddle will contact load firmly and load is centered so it cannot slip. Operate jack handle until saddle approaches the load. Once again, check to see that saddle is correctly positioned. Raise load to desired height. Place jack stands of appropriate capacity under the vehicle. **DO NOT CRAWL UNDER VEHICLE WHILE LIFTING VEHICLE OR PLACING OR REMOVING JACK STANDS!**

Place jack stands at vehicle manufacturer's recommended lift areas that provide stable support for the raised Vehicle. Once jack stands are positioned, open the release valve **VERY SLOWLY** (by turning the handle counterclockwise).

Lower the load to rest on the jack stands. Then, make sure that the release valve on the jack is closed tightly (by turning the handle clockwise).

2. To lower load:

Re-check to make sure release valve is tightly closed. Then, operate the jack handle until the load is raised enough to remove the jack stands.



DANGER!

DO NOT CRAWL UNDER VEHICLE WHILE LIFTING VEHICLE OR REMOVING THE JACK STANDS!

Once jack stands are removed, open release valve very slowly to lower the vehicle. Lower jack completely so that the vehicle is securely resting on the ground and that jack no longer makes contact with vehicle.



CAUTION!

Keep hands or feet away from the hinge mechanism of the jack.

MAINTENANCE

When adding or replacing hydraulic fluid, always use a quality hydraulic fluid. **DO NOT** use brake fluid, alcohol, detergent motor oil, dirty oil or any fluid other than quality hydraulic fluid. Improper fluids can cause internal damage to the jack and improper or unsafe operation.

Adding Hydraulic Fluid

With the saddle fully lowered and the jack on level ground, remove the filler screw. Hydraulic fluid should be filled to the level of the filler screw hole. If the level is below this hole, add hydraulic fluid as needed.

LUBRICATION

All moving joints require lubrication often. Lightly grease saddle post and saddle bottom. Remove handle and grease the lower end of handle where it rotates in the handle socket. Using a grease gun, grease the lift arm pivot shaft grease fitting until grease appears at the end of the shaft. Oil all lift arm linkages, front wheels and rear casters.

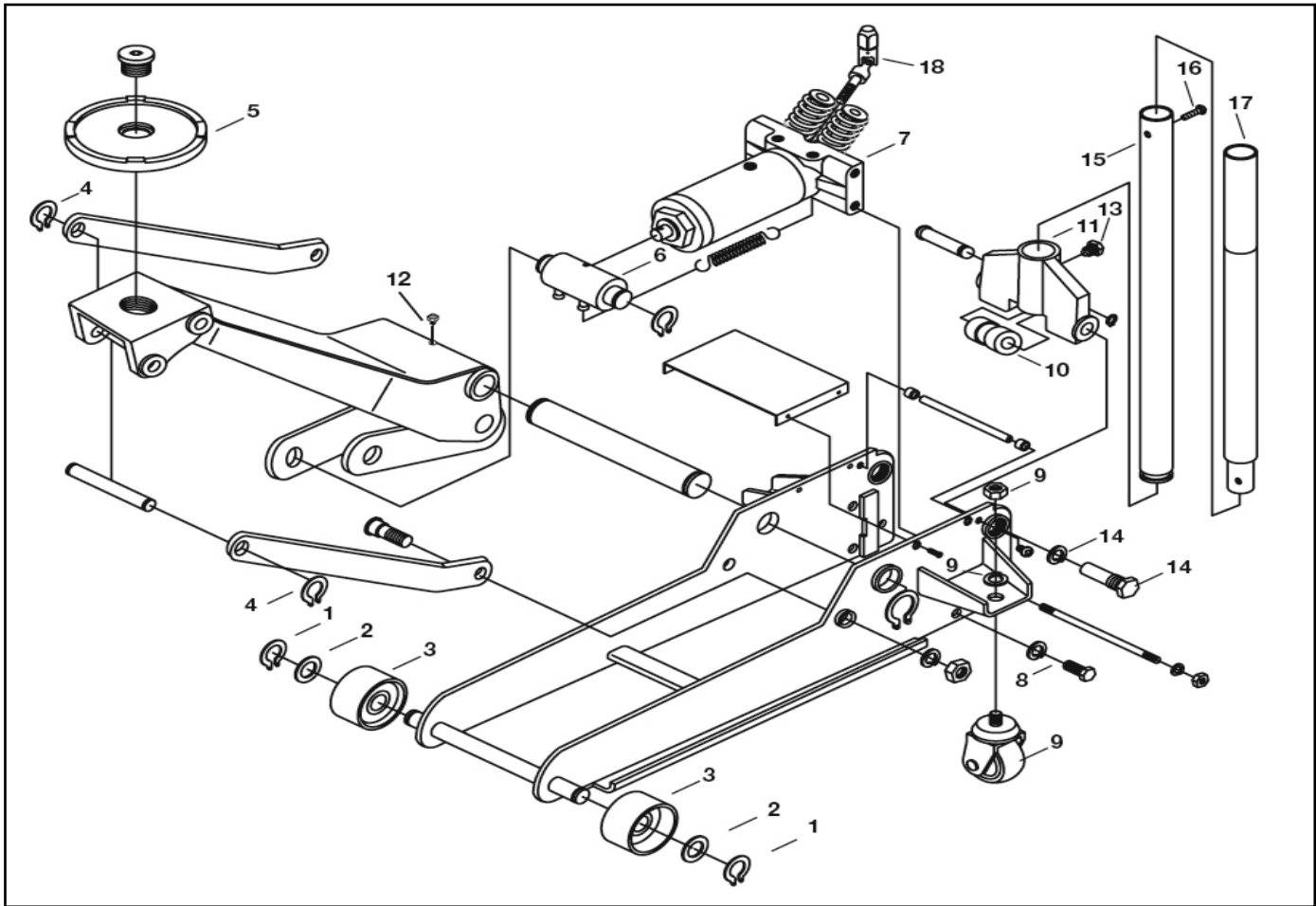
SPECIFICATIONS

Rated Load Capacity:	3 Tons (2722 kg.)
Minimum Height:	3-1/2" (90mm)
High height	21" (535mm)
Overall length	27-1/2"
Width	14"
Low height reach	12-1/2"
Weight	104 lbs
Strokes to Full Height (without load)	8

TROUBLESHOOTING

PROBLEM	ACTION
1. Unit will not lift load	Purge air from hydraulic system by following procedure under OPERATING INSTRUCTIONS.
2. Unit will not sustain load or feels "spongy" under load.	Purge air from hydraulic system as above.
3. Unit will not lift to full height.	Purge air from hydraulic system as above. Check to be sure oil level is not too high or low.
4. Unit will not lower completely.	Check oil level. Make sure not overfilled.
5. Handle tends to raise up while the unit is under load.	Pump the handle rapidly several times to push oil past ball valves in power unit.
6. Unit still does not operate.	Contact Parts & Warranty Department.

DESCRIPTION OF PARTS



Item #	Description	Qty.	Item #	Description	Qty.
1	Retaining Ring M20	2	10	Piston Roller Bearing	1
2	Washer	2	11	Handle Yoke	1
3	Front Wheel	2	12	Grease Fitting	1
4	Retaining Ring M15	2	13	Set Screw (Handle)	1
5	Saddle	1	14	Yoke Retaining Bolt & Washer	2
6	Block Linkage & Split Pin	1	15	Handle Lever "A"	1
7	Power Unit Assembly	1	16	Bolt M6 x 35	1
8	HHN M12 & Lock Washer	7	17	Handle Lever "B"	1
9	Rear Caster Assembly	2	18	Universal Joint Assembly	1